



TRIM PROTECTORS, SURFACE BOLTS & DOOR VIEWERS

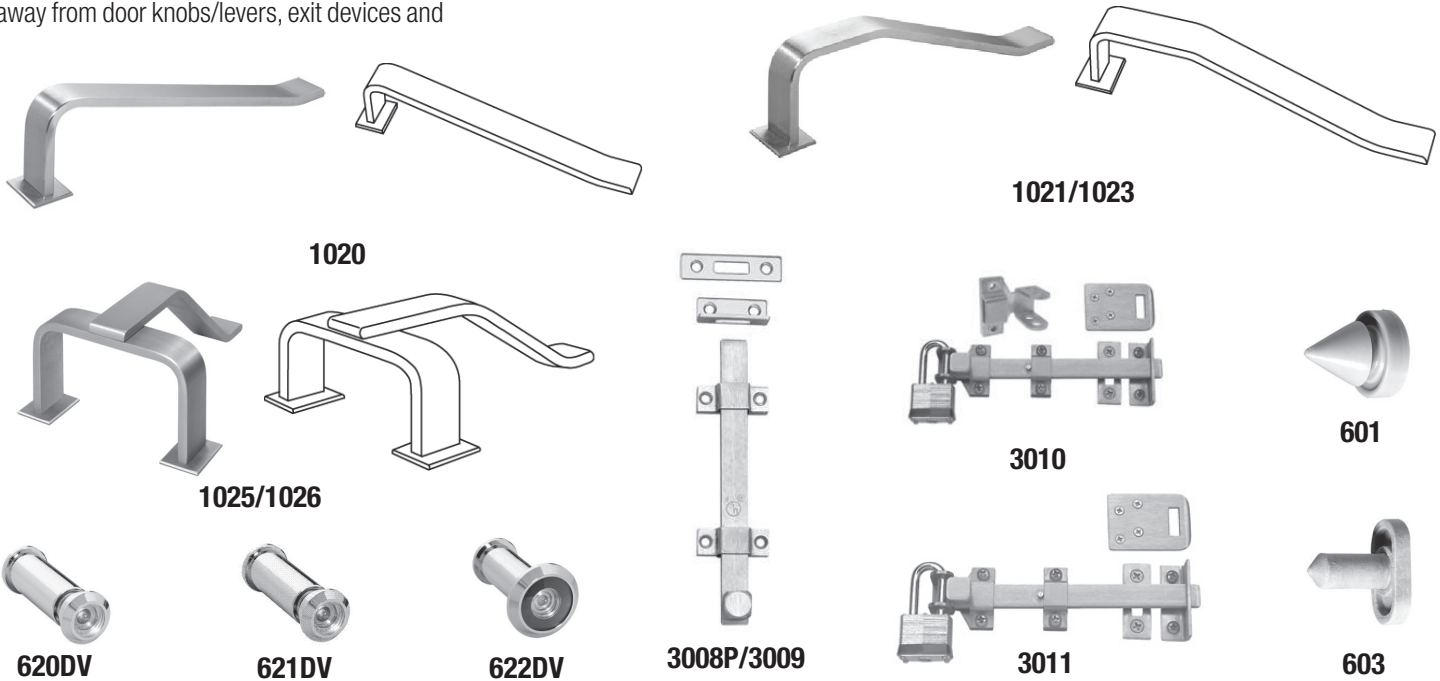
TRIM PROTECTORS & EXIT DEVICE PROTECTORS

Hiawatha provides a variety of trim protector bars to deflect carts, gurneys and other traffic away from door knobs/levers, exit devices and

other trim. These protection bars are mounted over, under, or directly in front of trim depending on application.

METAL FINISHES

Trim protectors are available in US3,US10, US10B and US32D.



PART NO.	DESCRIPTION	SIZE	PROJ.	WT.	ANSI 156.6
TP1020	Trim Protector	3/8"x1-1/2"x 3-1/4"	12" CTC	2.6 lbs	J403
TP1021	Lever Handle Protector	3/8"x1-1/2"x 3-1/4"	12" CTC	2.6 lbs	J303
TP1023	Long Lever Protector	3/8"x1-1/2"x 3-1/4"	14" CTC	3 lbs	J403
TP1025	Exit Device Protector	3/8" x 1-1/2" x 3-1/4"	8 1/2" CTC	3.5 lbs	J403
TP1026	Exit Device Protector	3/8" x 1-1/2" x 4-1/2"	8 1/2" CTC	3.7 lbs	J403

DOOR VIEWERS		DOOR SILENCERS	
620DV	160 degree Viewer 1/2" for 1-3/8-2" Door Antique Bronze, Brass, Chrome, Satin Nickel	601	Metal Door: Grey Rubber (pks of 100) 1/2" x 5/8"
621DV	160 degree Viewer 2-2-5/8" Door Antique Bronze, Brass, Chrome, Satin Nickel	602	Clear Adhesive: (pks of 300) 3/8" x 1/8"
622DV	190 degree Viewer 9/16" for 1-3/8-2" Door Ant Bronze, Brass, Chrome, Dull Chrm, Satin Nickel	603	Wood Door: Grey Rubber (Pks of 100) 3/8" x 3/4"

SURFACE BOLTS				
		FINISHES	WT.	ANSI A156.16
3008P	Surface Bolt: 8" UL Listed	US3,10,10B,26D,32D	1.1 lbs	L04161
3009	Surface Bolt: 12" UL Listed	US10,10B,26D	1.4 lbs	L04161
3010	Surface Door Bolt for Padlock: 8"	US32D	1.2 lbs	L04161
3011	Surface Door Bolt for Padlock: 12"	US32D	1.4 lbs	L04161

Finishes Available for Roller Latches: US3, US10, US10B, US26D, US26

Torx Security Screws Available at Extra Cost