



FIRE HOSE AND VALVE CABINETS

CROWNLINE 6000-7200 SERIES: CABINETS FOR FIRE HOSES AND EXTINGUISHERS

CROWNLINE 8000 SERIES: CABINETS FOR FIRE DEPARTMENT VALVES

Door and Trim: #4 stainless steel, clear anodized aluminum or cold rolled steel with white powder-coat finish standard. 1 3/4" face trim on frame and 1 1/4" trim on door. These flush cabinet doors mounted in a 5/8" door stop, attached by a continuous hinge and equipped with zinc-plated handle and roller catch

Trim Style and Depth: Trimless Recessed - for 5/8" depth drywall or 3/4" plaster. Recessed - 3/8" flat trim. Semi-recessed 1 1/4" Square Edge or 2 1/2" Rolled Edge. Rolled edge aluminum trim is formed of extrusions. Surface mount steel and aluminum have square edge, stainless models have rolled edge with galvanized back wall. Tub of steel and aluminum surface-mounted models are same material as trim.

Tub: White powder-coated cold rolled steel. Surface-mounted stainless steel models feature a galvanized back panel.

Fire-Rated Option Available: Yes




 6517V10
SHOWN IN OPTIONAL RED FINISH



 6337F10



 6325A10
WITH SAF-T-LOK™



 6514B10FX2
WITH SAF-T-LOK™




 8016F10

Door Styles with Pull

- F Full Glazing
- G Full Glazing & Saf-T-Lok™
- D Horizontal Duo Panel
- E Horizontal Duo Panel & Saf-T-Lok™
- S21 Solid
- L22 Solid with SAF-T-LOK™
- L24 Solid with Cylinder Lock & No Handle
- B10 Solid with Acrylic Insert & Saf-T-Lok™
- V Vertical Duo
- W Vertical Duo & Saf-T-Lok™
- A Center Duo Panel with Saf-T-Lok™

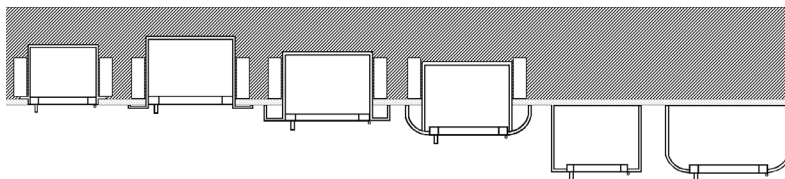
Door Glazing

- 10 Clear Acrylic
- 13 Clear Wire Glass w/Safety Film
- 15 Bronze Acrylic
- 16 Gray Acrylic
- 17 Tempered Glass
- 18 Laminated Safety Glass

Options at Additional Cost

- Aluminum Tub for Non-Rated Use
- Vertical or Horizontal Lettering - Pg 21
- Futura Embossed "Fire" Handle in Mill, White or Red
- Flush Pull
- Stainless Steel Tub #4 Satin Finish (Knockouts not available)
- Wall Signs & Labels - Pg 21
- Color Anodized Aluminum - Pg 24
- Optional Standard Color Frame/Door/Tub - Pg 24
- Custom Color Frame/Door/Tub
- Alarms - Pg 20
- 12 Gauge Security Cabinets - See Pg. 15
- Custom Stainless Finishes # 6 Satin, #7 Polished, #8 Mirror
- Brass or Bronze Finishes - See Embassy Series Pg. 10

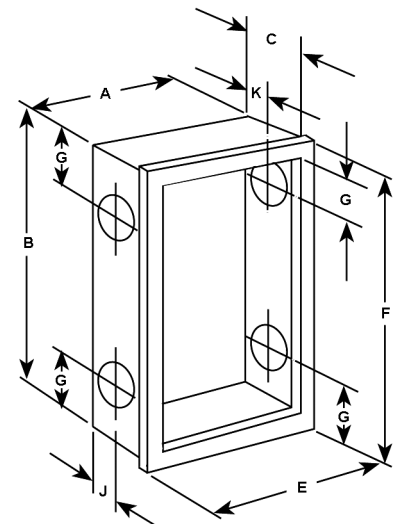
TOP VIEW



- TRIMLESS RECESSED FLANGE FOR 5/8" DRYWALL OR 3/4" PLASTER
- 3/8" FLAT TRIM
- 1-1/2" SQUARE TRIM
- 2-1/2", 3" ROLLED EDGE
- SURFACE MOUNT SQUARE TRIM
- SURFACE MOUNT OPTIONAL ROLLED EDGE

Knockouts: Hose Cabinet Knockouts for Recessed and Semi-Recessed Models: Knockouts (K.O.s) are provided centered, one, side, top and bottom—other side offset, top and bottom. Cabinets with 6" depth will have K.O.'s centered. Trimless K.O.s centered only—no offset. For surface-mount cabinets knockouts are provided only when exact location is known. **See submittal for K.O. locations of each model.**

K.O.s are not provided on FIRE-FX2 cabinets or stainless tubs. Instructions for the knockouts in the field are provided and must be strictly adhered to maintain fire-rating. 8000 Series Cabinets can be ordered without shelf allow for lower mounting height of valve piping to meet NFPA10



FIRE HOSE AND VALVE CABINETS



Trim and Door Material and Series Number				Tub I.D.			Frame O.D.		Wall Opening: Non-Rated			Wall Opening: Fire-Rated				Recommended Hose Rack, Valve, and Extinguishers
Steel	Aluminum	Stainless Steel**	Trim Style	A	B	C	E	F	W	H	D	W	H	D		
Hose with Extinguisher or FD Valve Cabinets																
6014	6024	6034	Trimless 5/8" Drywall ‡	24	30	6	27 1/8	33 1/8	25	31	6 1/8	26 5/16	32 5/16	6 1/16	HOSE RACK & EXTINGUISHER: 1-1/2" x 1-1/2" Hose Rack Unit -50 or 75' Hose (HRA050B, HRA050CH, HRA075B, HRA075CH) & Cosmic 2 1/2 or Galaxy 2 1/2 - 5 lb Extinguisher	
6015	6025	6035	Flat Trim	24	30	6	27 3/8	33 3/8	25	31	5 7/8	26 5/16	32 5/16	6 15/16		
6016	6026	6036	1 1/4" Square	24	30	6	27 3/8	33 3/8	25	31	4 7/8	26 5/16	32 5/16	5 15/16		
6017	6027	6037	2 1/2" Rolled	24	30	6	27 3/8	33 3/8	25	31	3 5/8*	26 5/16	32 5/16	4 11/16*		
6013	6023	6039	Surf. Mtd.	27 3/16	33 3/16	6 1/2	27 3/8	33 3/8	--	--	--	--	--	--		
6214	6224	6234	Trimless 5/8" Drywall ‡	24	34 3/4	6	27 1/8	37 7/8	25	35 3/4	6 1/8	26 5/16	37 1/16	6 11/16	HOSE RACK: 1-1/2" x 1-1/2" Hose Rack Unit - 100' Hose (HRA100B or HRA100CH) & Cosmic 2 1/2 or Galaxy 2 1/2 - 5 lb Extinguisher	
6215	6225	6235	Flat Trim	24	34 3/4	6	27 3/8	38 1/8	25	35 3/4	5 7/8	26 5/16	37 1/16	6 15/16		
6216	6226	6236	1 1/4" Square	24	34 3/4	6	27 3/8	38 1/8	25	35 3/4	4 7/8	26 5/16	37 1/16	5 15/16		
6217	6227	6237	2 1/2" Rolled	24	34 3/4	6	27 3/8	38 1/8	25	35 3/4	3 5/8*	26 5/16	37 1/16	4 11/16*		
6213	6223	6239	Surf. Mtd.	27 3/16	37 15/16	6 1/2	27 3/8	38 1/8	--	--	--	--	--	--		
6114	6124	6134	Trimless 5/8" Drywall ‡	24	30	8	27 1/8	33 1/8	25	31	8 1/8	26 5/16	32 5/16	8 11/16	HOSE RACK: 2-1/2" x 1-1/2" Hose Rack Unit 50 or 75' Hose (HAA050B-2.5 OR HRA075B-2.5)	
6115	6125	6135	Flat Trim	24	30	8	27 3/8	33 3/8	25	31	7 7/8	26 5/16	32 5/16	8 15/16		
6116	6126	6136	1 1/4" Square	24	30	8	27 3/8	33 3/8	25	31	6 7/8	26 5/16	32 5/16	7 15/16		
6117	6127	6137	2 1/2" Rolled	24	30	8	27 3/8	33 3/8	25	31	5 5/8*	26 5/16	32 5/16	6 11/16*		
6113	6123	6139	Surf. Mtd.	27 3/16	33 3/16	8 1/2	27 3/8	33 3/8	--	--	--	--	--	--		
6414	6424	6434	Trimless 5/8" Drywall ‡	24	34 3/4	8	27 1/8	37 7/8	25	35 3/4	8 1/8	26 5/16	37 1/16	8 11/16	HOSE RACK: 2-1/2" x 1-1/2" Hose Rack Unit 100' Hose (HRA 100B-2.5)	
6415	6425	6435	Flat Trim	24	34 3/4	8	27 3/8	38 1/8	25	35 3/4	7 7/8	26 5/16	37 1/16	8 15/16		
6416	6426	6436	1 1/4" Square	24	34 3/4	8	27 3/8	38 1/8	25	35 3/4	6 7/8	26 5/16	37 1/16	7 15/16		
6417	6427	6437	2 1/2" Rolled	24	34 3/4	8	27 3/8	38 1/8	25	35 3/4	5 5/8*	26 5/16	37 1/16	6 11/16*		
6413	6423	6439	Surf. Mtd.	27 3/16	37 15/16	8 1/2	27 3/8	38 1/8	--	--	--	--	--	--		
6614	6624	6634	Trimless 5/8" Drywall ‡	24	38 3/4	8	27 1/8	41 7/8	25	39 3/4	8 1/8	26 5/16	41 1/16	8 11/16	HOSE RACK: 2-1/2" x 1-1/2" Hose Rack Unit 125' Hose (HRA 125B-2.5)	
6615	6625	6635	Flat Trim	24	38 3/4	8	27 3/8	42 1/8	25	39 3/4	7 7/8	26 5/16	41 1/16	8 15/16		
6616	6626	6636	1 1/4" Square	24	38 3/4	8	27 3/8	42 1/8	25	39 3/4	6 7/8	26 5/16	41 1/16	7 15/16		
6617	6627	6637	2 1/2" Rolled	24	38 3/4	8	27 3/8	42 1/8	25	39 3/4	5 5/8*	26 5/16	41 1/16	6 11/16*		
6613	6623	6639	Surf. Mtd.	27 3/16	41 15/16	8 1/2	27 3/8	42 1/8	--	--	--	--	--	--		
6314	6324	6334	Trimless 5/8" Drywall ‡	30	30	8	33 1/8	33 1/8	31	31	8 1/8	32 5/16	32 5/16	8 11/16	HOSE RACK & FD VALVE OR EXTINGUISHER: 1-1/2" OR 2-1/2" Valve, Unit Plus An Extinguisher (Except Sentinel 10-20, 272)	
6315	6325	6335	Flat Trim	30	30	8	33 3/8	33 3/8	31	31	7 7/8	32 5/16	32 5/16	8 15/16		
6316	6326	6336	1 1/4" Square	30	30	8	33 3/8	33 3/8	31	31	6 7/8	32 5/16	32 5/16	7 15/16		
6317	6327	6337	2 1/2" Rolled	30	30	8	33 3/8	33 3/8	31	31	5 5/8*	32 5/16	32 5/16	6 11/16*		
6313	6323	6339	Surf. Mtd.	33 3/16	33 3/16	8 1/2	33 3/8	33 3/8	--	--	--	--	--	--		
6514	6524	6534	Trimless 5/8" Drywall ‡	32 3/4	34 3/4	8	35 7/8	37 7/8	33 3/4	35 3/4	8 1/8	35 1/16	37 1/16	8 11/16	HOSE RACK & FD VALVE OR EXTINGUISHER: 1-1/2" OR 2-1/2" Valve, 100' Hose Rack Unit Plus FD Valve or Extinguisher (Not Sentinel 20, 272)	
6515	6525	6535	Flat Trim	32 3/4	34 3/4	8	36 1/8	38 1/8	33 3/4	35 3/4	7 7/8	35 1/16	37 1/16	8 15/16		
6516	6526	6536	1 1/4" Square	32 3/4	34 3/4	8	36 1/8	38 1/8	33 3/4	35 3/4	6 7/8	35 1/16	37 1/16	7 15/16		
6517	6527	6537	2 1/2" Rolled	32 3/4	34 3/4	8	36 1/8	38 1/8	33 3/4	35 3/4	5 5/8*	35 1/16	37 1/16	6 11/16*		
6513	6523	6539	Surf. Mtd.	35 15/16	37 15/16	8 1/2	36 1/8	38 1/8	--	--	--	--	--	--		
7214	7224	7234	Trimless 5/8" Drywall ‡	32 3/4	38 3/4	8	35 7/8	41 7/8	33 3/4	39 3/4	8 1/8	35 1/16	41 1/16	8 11/16	HOSE RACK & FD VALVE OR EXTINGUISHER: 1-1/2" OR 2-1/2" Valve, 125' Hose Rack Unit Plus FD Valve or Extinguisher (Not Sentinel 20, 272)	
7215	7225	7235	Flat Trim	32 3/4	38 3/4	8	36 1/8	42 1/8	33 3/4	39 3/4	7 7/8	35 1/16	41 1/16	8 15/16		
7216	7226	7236	1 1/4" Square	32 3/4	38 3/4	8	36 1/8	42 1/8	33 3/4	39 3/4	6 7/8	35 1/16	41 1/16	7 15/16		
7217	7227	7237	2 1/2" Rolled	32 3/4	38 3/4	8	36 1/8	42 1/8	33 3/4	39 3/4	5 5/8*	35 1/16	41 1/16	6 11/16*		
7213	7223	7239	Surf. Mtd.	35 15/16	41 15/16	8 1/2	36 1/8	42 1/8	--	--	--	--	--	--		
Fire Department Cabinets																
8514	8524	8534	Trimless 5/8" Drywall ‡	18	18	8	21 1/8	21 3/8	19	19	8 1/8	20 5/16	20 5/16	8 11/16	FIRE DEPARTMENT VALVE 1-1/2" or 2-1/2" Fire Department Valve with Cap and Chain	
8515	8525	8535	Flat Trim	18	18	8	21 3/8	21 3/8	19	19	7 7/8	20 5/16	20 5/16	8 15/16		
8516	8526	8536	1 1/4" Square	18	18	8	21 3/8	21 3/8	19	19	6 7/8	20 5/16	20 5/16	7 15/16		
8517	8527	8537	2 1/2" Rolled	18	18	8	21 3/8	21 3/8	19	19	5 5/8*	20 5/16	20 5/16	6 11/16*		
8513	8523	8539	Surf. Mtd.	21 3/16	21 3/16	8 1/2	21 3/8	21 3/8	--	--	--	--	--	--		
8414	8424	8434	Trimless 5/8" Drywall ‡	18	18	10	21 1/8	21 1/8	19	19	10 1/8	20 5/16	20 5/16	10 11/16		
8415	8425	8435	Flat Trim	18	18	10	21 3/8	21 3/8	19	19	9 7/8	20 5/16	20 5/16	10 15/16		
8416	8426	8436	1 1/4" Square	18	18	10	21 3/8	21 3/8	19	19	8 7/8	20 5/16	20 5/16	9 15/16		
8417	8427	8437	2 1/2" Rolled	18	18	10	21 3/8	21 3/8	19	19	7 5/8*	20 5/16	20 5/16	8 11/16*		
8413	8423	8439	Surf. Mtd.	21 3/16	21 3/16	10 1/2	21 3/8	21 3/8	--	--	--	--	--	--		
8714	8724	8734	Trimless 5/8" Drywall ‡	26	26	8	29 1/8	29 1/8	27	27	8 1/8	28 5/16	28 5/16	8 11/16		DUAL SIDE BY SIDE FIRE DEPARTMENT VALVE & EXTINGUISHER OR 2 FIRE DEPARTMENT VALVES: 1-1/2" or 2-1/2" Fire Department Valve with Cap and Chain Plus Extinguisher - Cosmic & Galaxy 2 1/2 - 10, Mercury 2 1/2 - 11, Grenadier, Saturn 15-25, Sentinel 5
8715	8725	8735	Flat Trim	26	26	8	29 3/8	29 3/8	27	27	7 7/8	28 5/16	28 5/16	8 15/16		
8716	8726	8736	1 1/4" Square	26	26	8	29 3/8	29 3/8	27	27	6 7/8	28 5/16	28 5/16	7 15/16		
8717	8727	8737	2 1/2" Rolled	26	26	8	29 3/8	29 3/8	27	27	5 5/8*	28 5/16	28 5/16	6 11/16*		
8713	8723	8739	Surf. Mtd.	29 3/16	29 3/16	8 1/2	29 3/8	29 3/8	--	--	--	--	--	--		
8614	8624	8634	Trimless 5/8" Drywall ‡	26	26	10	29 1/8	29 1/8	27	27	10 1/8	28 5/16	28 5/16	10 11/16		
8615	8625	8635	Flat Trim	26	26	10	29 3/8	29 3/8	27	27	9 7/8	28 5/16	28 5/16	10 15/16		
8616	8626	8636	1 1/4" Square	26	26	10	29 3/8	29 3/8	27	27	8 7/8	28 5/16	28 5/16	9 15/16		
8617	8627	8637	2 1/2" Rolled	26	26	10	29 3/8	29 3/8	27	27	7 5/8*	28 5/16	28 5/16	8 11/16*		
8613	8623	8639	Surf. Mtd.	29 3/16	29 3/16	10 1/2	29 3/8	29 3/8	--	--	--	--	--	--		
8014	8024	8034	Trimless 5/8" Drywall ‡	16	40	9	19 1/8	43 1/8	17	41	9 1/8	18 5/16	42 5/16	9 11/16	DUAL EXTINGUISHER CABINET WITH SHELF: Extinguisher or Fire Dept. Valve - Shelf located 12" from bottom of cabinet - Any Extinguisher Except Sentinel 15-20, 272	
8015	8025	8035	Flat Trim	16	40	9	19 3/8	43 3/8	17	41	8 7/8	18 5/16	42 5/16	9 15/16		
8016	8026	8036	1 1/4" Square	16	40	9	19 3/8	43 3/8	17	41	8 1/8	18 5/16	42 5/16	8 15/16		
8017	8027	8037	2 1/2" Rolled	16	40	9	19 3/8	43 3/8	17	41	6 5/8*	18 5/16	42 5/16	7 11/16*		
8013	8023	8039	Surf. Mtd.	19 3/16	43 3/16	9 1/2	19 3/8	43 3/8	--	--	--	--	--	--		

Dimensions in Inches

FOR KNOCKOUT LOCATIONS, SEE SUBMITTAL. * ADD 5/8" FOR CABINETS WITH ALUMINUM FRAMES, ** KNOCKOUTS NOT AVAILABLE ON STAINLESS TUBS OR FIRE-RATED FX2 CABINETS, ‡ TRIMLESS MODELS FEATURE NEW DESIGN AND MAY BE INSTALLED BEFORE DRYWALL - SEE SUBMITTAL AND INSTALLATION INFORMATION