



FIRE EXTINGUISHER CABINETS

EMBASSY SERIES: DECORATIVE TRIMLESS RECESSED CABINET

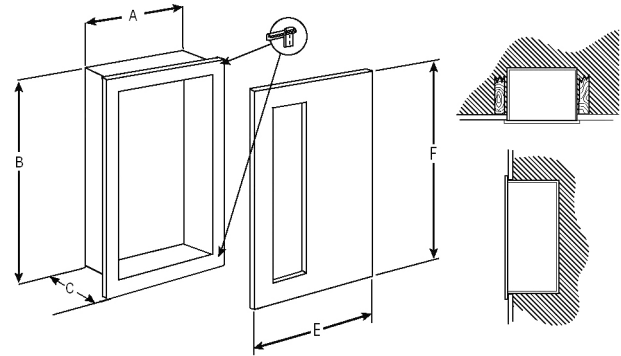
Door and Trim Construction: These 7/8" formed design cabinet doors are available in # 4 satin stainless steel, US 10 satin bronze, US 3 polished brass, clear anodized aluminum or white powder coated steel. Doors feature two concealed hinges and concealed handle and roller catch.

Trim Style and Depth: None

Tub: Constructed of cold rolled steel with white powder-coat finish standard.

Unique Options: The 5900 Series is equipped with a shelf 12" from the bottom. Knockouts are located 6" from the bottom and 4 1/4" from the back on both the right- and left-hand sides.

Fire-Rated Option Available: Yes



Door Styles

- S21** Solid
- L22** Solid & SAF-T-LOK™
- V** Vertical Duo
- W** Vertical Duo & SAF-T-LOK™

Door Glazing

- 10** Clear Acrylic
- 13** Clear Wire Glass w/ Safety Film
- 15** Bronze Acrylic
- 16** Gray Acrylic
- 17** Clear Tempered Glass
- 18** Laminated Safety Glass

Options at Additional Cost

- Color Painted Door or Tub - Steel Only
- Vertical or Horizontal Lettering. See Page 21
- Futura Embossed "Fire" Handle - Mill or White
- Wall Signs and Alarms, See Page 20
- Color Anodized Aluminum, See Page 24
- #6 Satin, #7 Polished, #8 Mirror Stainless

- US9 Polished Bronze Door - Clear Coated
- US10B Oil-Rubbed Bronze Door
- US4 Satin Brass Door - Clear Coated
- Etched Lettering in Glass, Engraved Lettering

Door Material and Series #					Tub I.D.			Door O.D.*		Wall Opening: Non-Rated			Wall Opening: FX2 Option			Accommodates Following Extinguishers & Valves
Steel	Aluminum	Stainless Steel	Bronze	Brass	A	B	C	E	F	W	H	D	W	H	D	
5614	5624	5634	5644	5654	10 1/2	24	5-3/4	12 3/4 13 3/4 FX2	26 1/4 27 1/4 FX2	11 1/2	25	5 7/8	12 13/16	26 5/16	6 15/16	Cosmic & Galaxy 2.5-10, Mercury 2.5-5, Sentinel 5
5714	5724	5734	5744	5754	16	32	7 3/4	18 1/4 19 1/4 FX2	34 1/4 35 1/4 FX2	17	33	7 7/8	18 5/16	34 5/16	8 15/16	Any Cosmic*, Galaxy, Mercury, Saturn or Grenadier P, Sentinel 5-15, 272
Fire Department Valve, Hose & Extinguisher Cabinets																
5514	5524	5534	5544	5554	18	18	7 3/4	20 1/4 21 1/4 FX2	20 1/4 21 1/4 FX2	19	19	7 7/8	20 5/16	20 5/16	8 15/16	1-1/2" or 2-1/2" Fire Department Valve Left & Right K.O.'s 9" from top, 4" from back**†
5814	5824	5834	--	--	32	32	7 3/4	34 1/4 35 1/4 FX2	34 1/4 35 1/4 FX2	33	33	7 7/8	34 5/16	34 5/16	8 15/16	1-1/2" or 2-1/2" Rack Unit & 2-1/2" Fire Department Valve or Extinguisher. Left K.O. 4" from back, top & bottom.**†
5914	5924	5934	5944	5954	16	40	8 3/4	18 1/4 19 1/4 FX2	42 1/4 43 1/4 FX2	17	41	8 7/8	18 5/16	42 5/16	9 15/16	2-1/2" Fire Department Valve & Fire Extinguisher Any Cosmic, Galaxy, Mercury, Saturn or Grenadier P, Sentinel 5 & 10
Dimensions in Inches																

*COSMIC & GALAXY 20 EXTINGUISHER MUST BE MOUNTED ON THE BACK OF THE CABINET TUB.

**KNOCKOUTS NOT AVAILABLE STAINLESS TUBS

†KNOCKOUTS NOT AVAILABLE ON FIRE-RATED CABINETS

ALL MODELS SHOWN ON THIS PAGE MEET THE ADA 4" PROJECTION REQUIREMENT