

1. With metal studding, install a framed opening at specified location of panel.  
 Note: (A notched-out area 2-1/4" long x 7/8" wide and 1/2" deep is required for the lock bolt cover.)

**1 Hour Installation:** Opening dimension (C) should be 3/8" larger than door size of panel: i.e. 16-3/8" x 16-3/8"

**3 Hour Installation:** Opening dimensions (D) should be 1-5/8" larger than door size of panel; i.e., for a 16" x 16" panel, opening should be 17-5/8" x 17-5/8". The interior of opening should be lined with 5/8" type "X" gypsum board using screws spaced 18" o.c. maximum to the 1-5/8" track. Minimum of two (2) screws per side.

3. Place panel in position in opening and mark location of attaching screws on studding, using holes in latch and hinge sides of panel frame as marking guides. 2 holes are provided on each side.

4. Remove panel and drill 5/32" holes through studding at points marked for attachment holes. See "Masonry Walls" installation for Masonry ceilings.

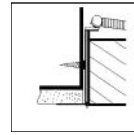
5. Place panel in position (leaving masonry anchor straps flat against panel frame) and attach with #10 drywall screws.

6. Check panel for freedom of movement. If binding occurs, shim as necessary to prevent racking of frame.

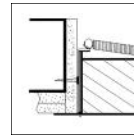
7. Attach 1 spring to tabs on hinge side of panel, through hole in door, and when required attach the 2nd spring to the framing above the panel. Spring can be supported with 12 gauge wire ties or metal strapping attached from framing screw to wood studs of flooring above.

**IMPORTANT:** Panel sizes 16" x 16" and larger are supplied with an extra spring. It is the responsibility of the installer to attach these springs from the spring base on back of panel to framing of floor above to insure that door is self-closing. (Additional springs may be required for large doors)

8. Before installing panel, bend "latch release" bracket inward causing panel to stay in "up" position. In order to insure that panel is self-closing, it must be released from at least 60 degrees from horizontal.



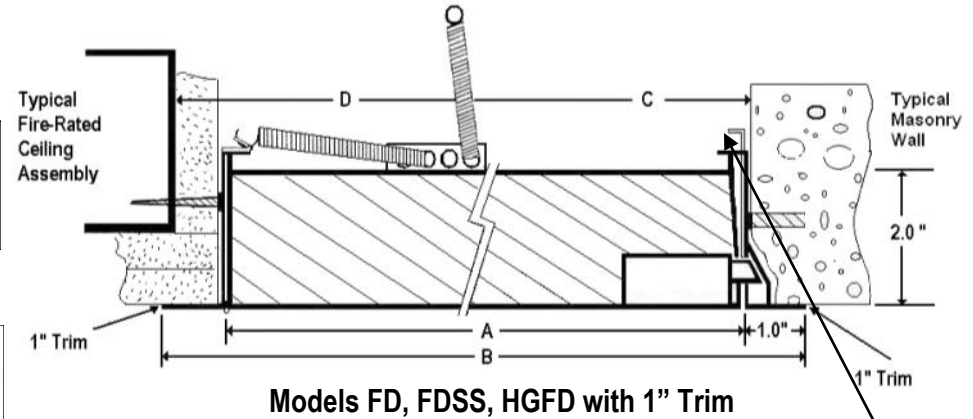
1 Hour



3 Hour



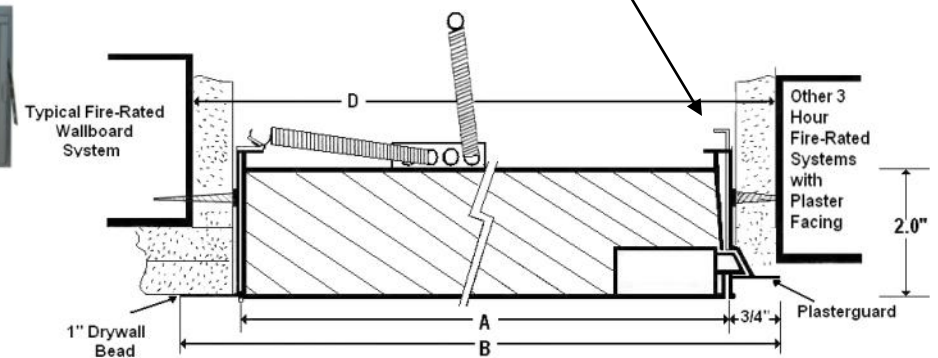
Assembled Spring Assisted Closing



Models FD, FDSS, HGFD with 1" Trim

**NOTE: ALL FIRE-RATED ACCESS PANELS HAVE SPRING-ASSISTED CLOSING.**

Latch release is to be bent inward, so that panel remains in "Up" position.



Models FDWB (drywall bead) and FDPW (plasterguard)

**THIS PRODUCT NOT CLASSIFIED BY UNDERWRITER'S LABORATORIES FOR THIS APPLICATION**



**ACTIVAR**  
 INC.  
 Construction Products Group  
 www.activarcpg.com

**Listing: Warnock Hersey listed for ceiling installations with 3 hour non-combustible rating or 1 hour combustibile rating up to 24" x 36".**



Due to the wide variety of fire-rated wall assemblies, these drawings are representative of a typical installation scenario, but are not meant to be a guideline for wall construction. Please consult your local AHJ for current