

LADDER POST - LP-4 Installation & Maintenance Guide

GENERAL:

The following guide provides instructions to install a ladder post onto a fixed vertical ladder. The safety post provides a safe and efficient way to climb on and off fixed access ladders.

Caution: Be sure to follow proper fall protection procedures when working on the rooftop. It is the responsibility of the installer/user to ensure the installation and use meet all regulatory and OSHA requirements.

Use the top ring for raising and pulling up the post only. It is not suitable for attaching a safety fall arrest harness and should never be used for this purpose.

INSTALLATION:

1. The ladder post is furnished completely assembled ready to mount on a fixed vertical ladder that is structurally sound and securely anchored.
2. The ladder requirements include; round or square rungs in sizes 3/4" - 1-1/4" spaced 12" apart. When mounted, the rung centers must allow at least a 7" foot clearance, as required by OSHA.
3. Position the post assembly, so that it mounts to the center and inside of the ladder, opposite of the climbing side.
4. Mount the ladder post to the top two ladder rungs with U bolts (Figure 1), washers and locknuts. (Figure 2)
5. Use the 1" ID 3/8"-16 U bolts for smaller 3/4" rungs and use the 1-1/2" ID 3/8"-16 U bolts for larger 1-1/4" rungs.
6. Secure both U bolts to the mounting plate using 3/8" washers and nylon insert locknuts.

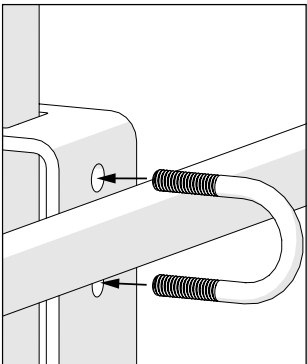
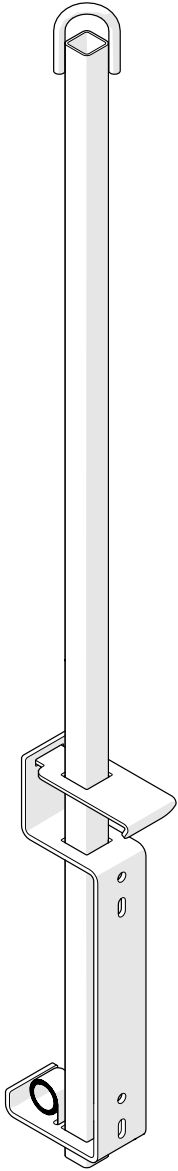
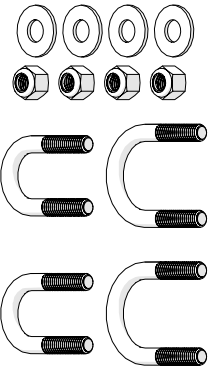
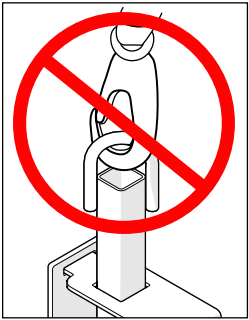


Figure 1

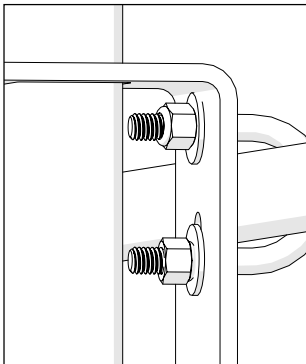


Figure 2

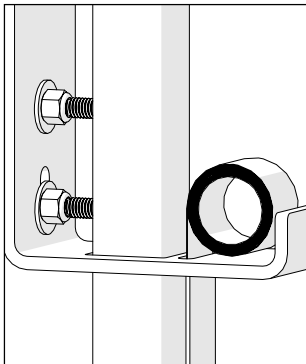


Figure 3

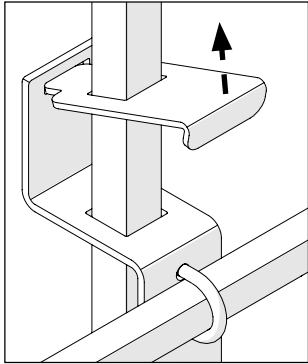


Figure 4

LADDER POST - LP-4 Installation & Maintenance Guide

OPERATION:

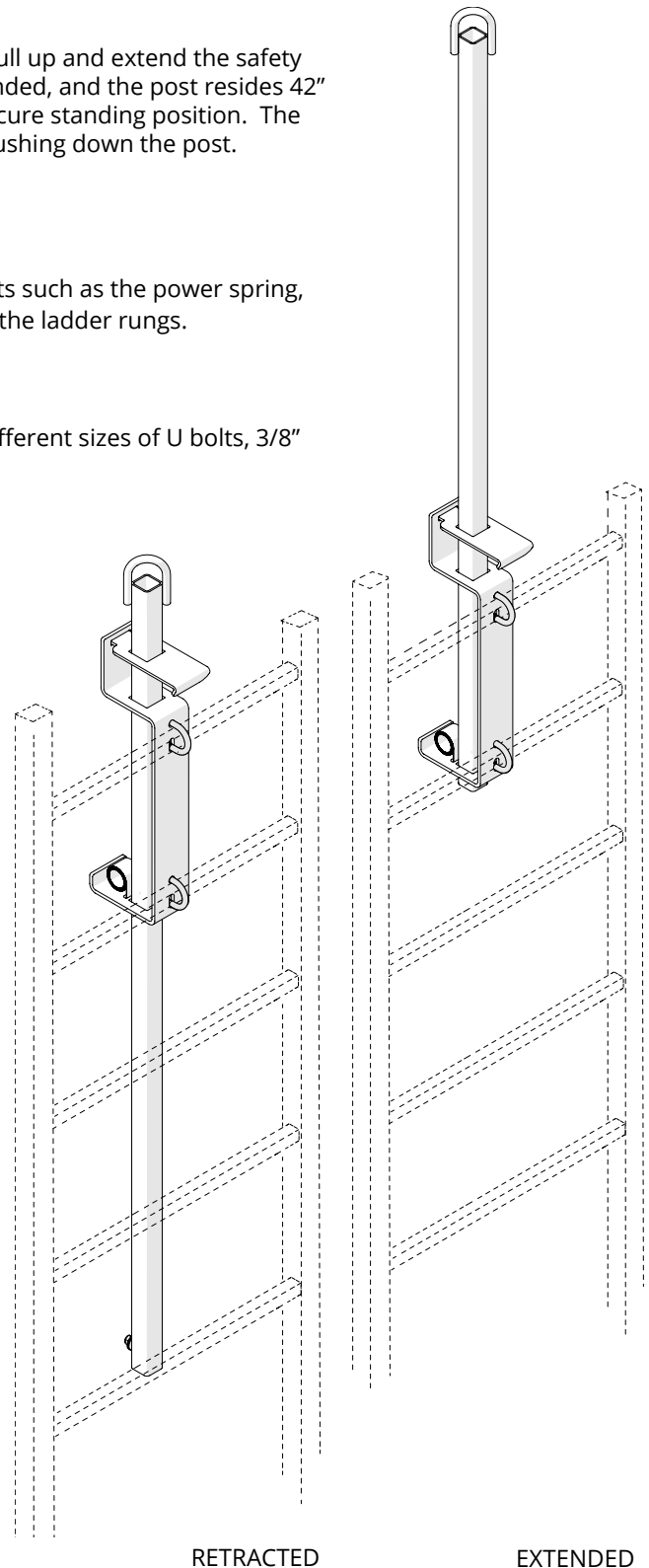
The built-in counterbalance spring (Figure 3) allows you to easily pull up and extend the safety post with one hand while at the top of the ladder. Once fully extended, and the post resides 42" above the landing platform, step safely on or off the ladder in a secure standing position. The post is retracted by simply lifting the locking plate (Figure 4) and pushing down the post.

MAINTENANCE:

Manually operate once a year to check functionality of moving parts such as the power spring, and locking bracket. Verify that the U bolts are secured tight onto the ladder rungs.

REPLACEMENT PARTS:

The ladder posts ship with hardware included, consisting of two different sizes of U bolts, 3/8" locknuts and washers. To order kits separately, use LP-KIT-HDWE.



RETRACTED

EXTENDED

ACTIVAR
CONSTRUCTION PRODUCTS GROUP INC.



800-554-6077

sales@activarcpg.com

www.activarcpg.com

9702 Newton Ave S. Bloomington, MN 55431 | Many Locations Across North America

LP-4
Installation & Maintenance Guide