

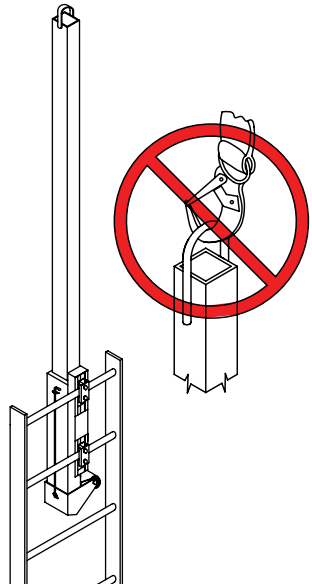
# LADDER POST - RSLP Installation & Maintenance Guide

## GENERAL:

The following guide provides instructions to install a ladder post onto a fixed vertical ladder. The safety post provides a safe and efficient way to climb on and off fixed access ladders.

**Caution:** Be sure to follow proper fall protection procedures when working on the rooftop. It is the responsibility of the installer/user to ensure the installation and use meet all regulatory and OSHA requirements.

**Use the top ring for raising and pulling up the post only. It is not suitable for attaching a safety fall arrest harness and should never be used for this purpose.**



## INSTALLATION:

1. Two people are recommended to install the safety ladder post to a fixed vertical ladder that is structurally sound and securely anchored.
2. Place the post in the center and on the wall side of the ladder, opposite of the climbing side. (Fig. 1)
3. Attach the mounting brackets as shown, based on the rung size.  
**IMPORTANT: Hollow rungs must be internally reinforced to prevent crushing.**
  - a. **3/4" or 1" rungs:** mount bracket with flanges toward ladder rungs; use washers under heads of bolts for 3/4" (Fig. 2a)
  - b. **1-1/4" rungs:** mount bracket with flanges away from ladder rungs. Washers are not necessary. (Fig. 2b)

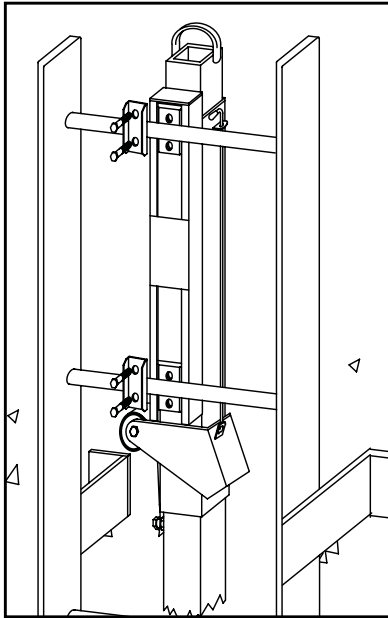


FIG. 1

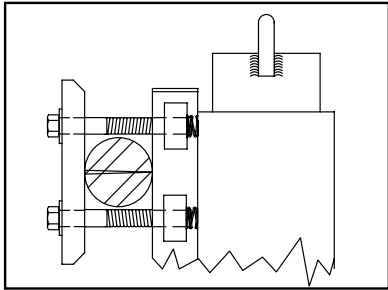


FIG. 2a

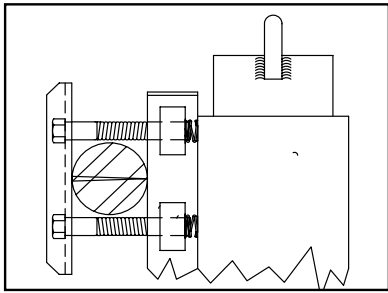


FIG. 2b

# LADDER POST - RSLP Installation & Maintenance Guide

## ALTERNATE INSTALLATIONS:

1. Mount on ladder risers by drilling 7/16" holes through the ladder riser and bolting through. (Fig. 3)
2. Where rungs are installed in precast concrete and risers are too narrow to permit center mounting, attach the safety post to rung sides as shown (Fig. 4)

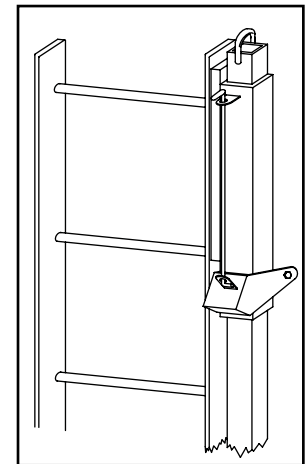


FIG. 3

## OPERATION:

The built-in counterbalance spring allows you to easily pull up and extend the safety post with one hand while at the top of the ladder. Once fully extended and the post rests secure in bottom lock bracket, then step safely off or on the ladder in a secure standing position. The post is retracted by lifting the release handle to disengage the bottom lock bracket and pulling down the post.

## MAINTENANCE:

Manually operate once a year to check functionality of moving parts such as the power spring, and locking bracket. Verify that all bolts are secured tight onto the ladder.

## PARTS:

The spring loaded safety post comes fully assembled. Included are two (2) mounting brackets, four (4) 2" stainless steel bolts, four (4) spring nuts and eight (8) stainless steel washers. (Fig. 5)

1. Lifting Handle
2. Release Handle for lowering the safety post when extended.
3. Spring nuts. Make sure the grooves in the nuts are in position with the inturned lips of the channel. Tightening by a wrench locks the teeth of the nut into the channel to make a strong connection.
4. Instructions are attached to the assembly in different areas.
5. Stainless Steel Bolts
6. Mounting Brackets
7. Coil Spring Operator
8. Washers

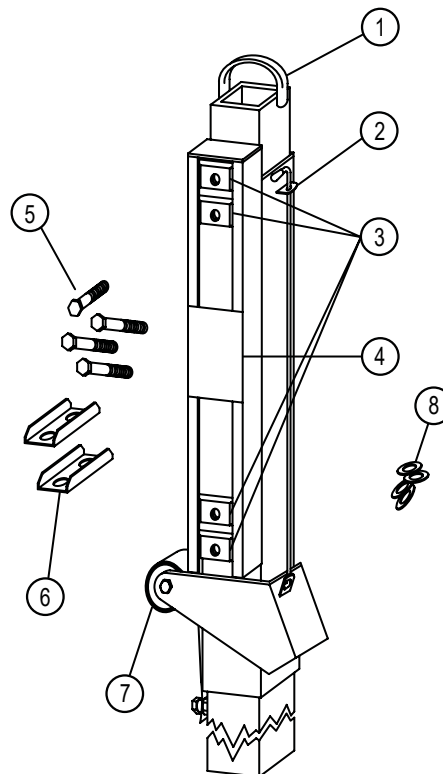


FIG. 5

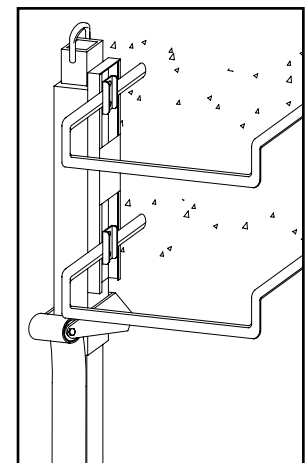


FIG. 4