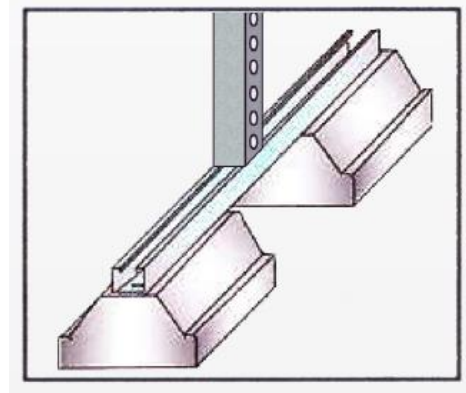


# INSTALLATION INSTRUCTIONS FOR ROOFTOP KEYCURB SYSTEMS

Our line of Roof Accessories is constructed for years of reliable use. These instructions are intended only to be a general guideline for installation. Follow local codes, roofing and sealing practices for the best weather-tight installations into the various roofing systems found in your area.

## Installation:

- A. Field customize to fit existing condition or as specified herein.
- B. Set bases and support framing in locations specified or required herein as per drawings and site conditions but not to exceed 10' spacing. No Isolation pads are required under the support curbs. Sweep any loose gravel before setting supports, apply slip sheet or pad if required by roofing manufacturer.
- C. Adjust all frame structures to required height and weight, assemble framing, supports, and hangers to configuration indicated.
- D. For AS and ASB Models with Adjustable Vertical Channels Only: Install channel leg into frame base with hardware provided. Add top frame and adjust to desired height to accommodate customer-supplied brackets.
- E. Adjust each required hanger, roller or clamp to its desired height, check each support for equal weight disbursement.




Install Channel Leg into Frame Base

**Maintenance:** Normal maintenance is not required. However, semi-annual inspection by the owner is recommended. Inspection shall include checking pipe alignment, weight distribution and improper installation.

## Need a pipe support that can be safely adhered to the roof?

Under normal conditions, it isn't necessary to adhere pipe supports to the roof; however, in special circumstances it may be required. KeyCurb bases can be adhered directly to the completed roof surface. The adhesive used depends upon the type of roofing system. All roofing adhesives are compatible with KeyCurbs. Consult with the roofing manufacturer for the recommended adhesive product.

**JL Industries also provides roof hatch safety rails and safety posts. Contact your representative for more information**

 <p><b>ACTIVAR</b> INC. CONSTRUCTION PRODUCTS GROUP</p> <p>JL INDUSTRIES</p>	<p>Installation Instructions for Roof Hatch</p>
<p>HEADQUARTERS 9702 NEWTON AV SOUTH, BLOOMINGTON, MN 55431 PH: 800-554-6077 FAX: 952-835-2218 EMAIL: SALES@ACTIVARCPG.COM WWW.ACTIVARCPG.COM MANUFACTURING: COMMERCE, CA AND BLOOMINGTON MN WAREHOUSES: DALLAS TX, LANCASTER PA, ATLANTA GA, CHICAGO IL, SEATTLE WA, FARGO ND, OMAHA NE, FORT MYERS FL 6/2/2016</p>	