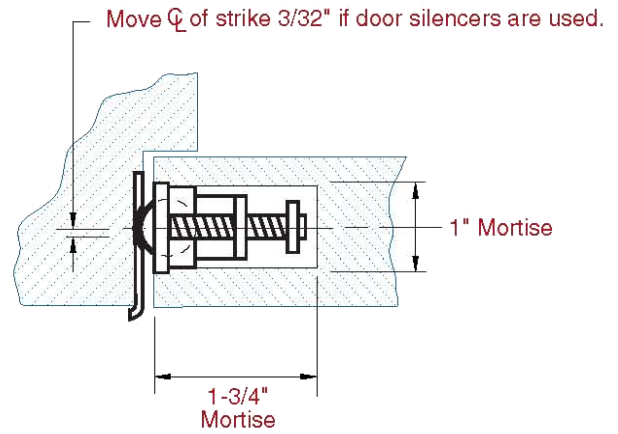
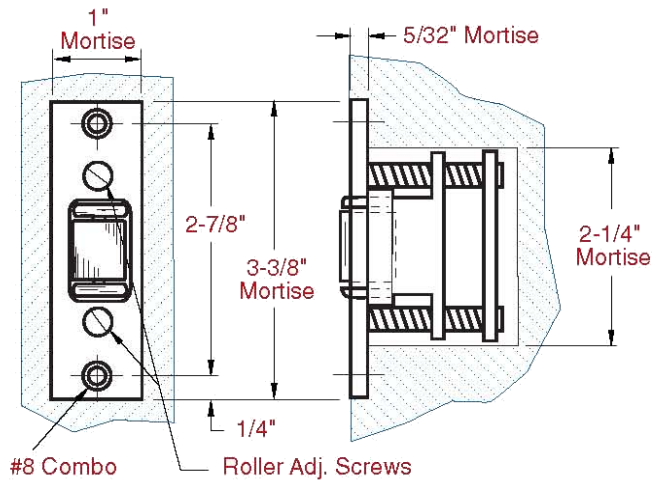


ROLLER LATCH TEMPLATE FOR MODELS  
1041, 1042, 1043

SECTION THROUGH DOOR

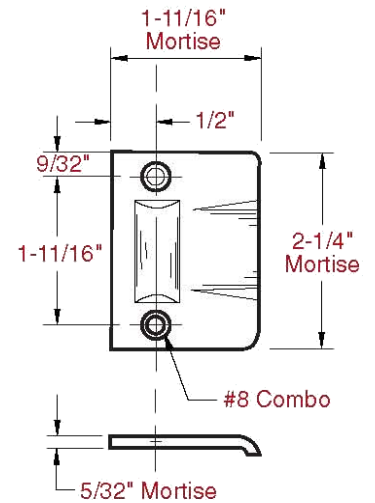
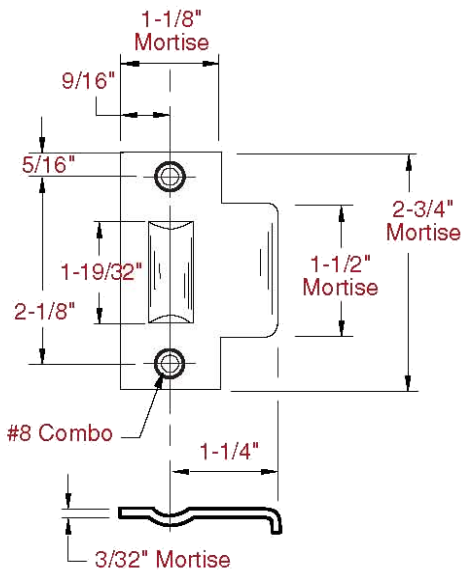
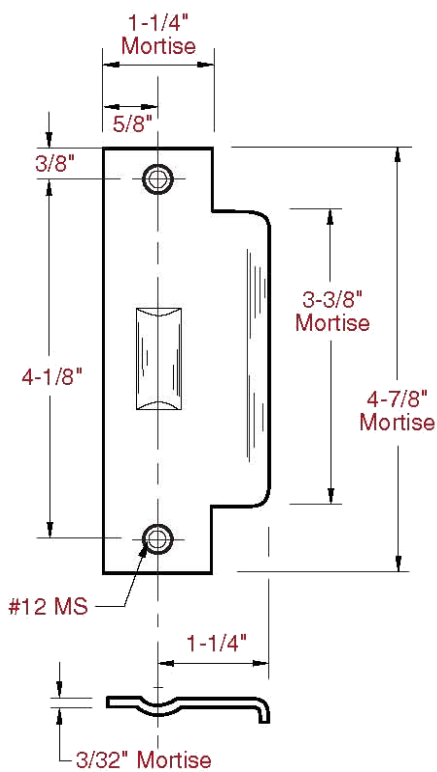


NOTE: Mortise dim's used only on wood doors.

ROLLER STRIKE TEMPLATE MODEL 1042

ROLLER STRIKE TEMPLATE MODEL 1043

ROLLER STRIKE TEMPLATE MODEL 1041



Not To Scale



TEMPLATE: ROLLER LATCH & STRIKE  
1041, 1042, 1043

HEADQUARTERS: 4450 WEST 78<sup>TH</sup> ST CIRCLE, BLOOMINGTON, MN 55435-5416

PH: 800-554-6077 FAX: 952-835-2218

EMAIL: SALES@HIAWATHAINC.COM WWW.ACTIVARCPG.COM 4-25-12