



ROOF ACCESSORIES

Division 07 72 30

Rooftop Pipe Supports

Division 07 72 33

Roof Hatches

Roof Safety Railings

Safety Posts

Equipment Hatches

Division 07 72 36

Smoke Vents



ACTIVAR *INC.*
CONSTRUCTION PRODUCTS GROUP



JL INDUSTRIES



AIR LOUVERS



HIAWATHA



SAMSON



THOMAS



ACCESSORIES
ROOFTOP



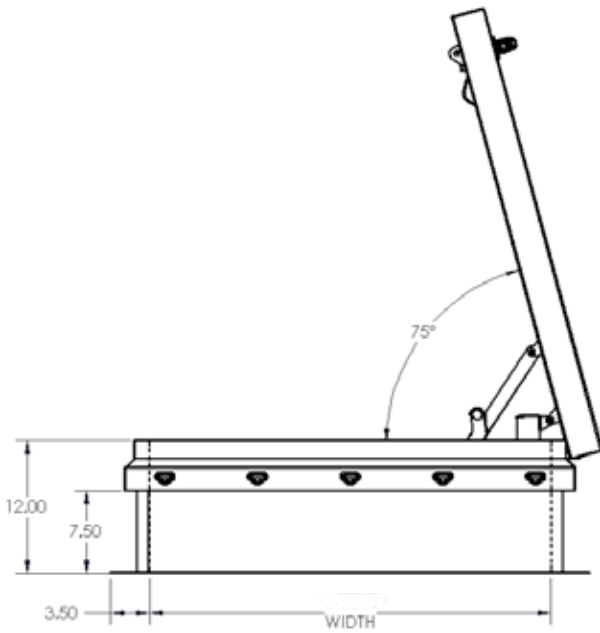
ROOF HATCH - LADDER ACCESS

DIAMOND SERIES™: ROOF HATCH

Bringing you the most value in a standard galvanized or aluminum roof hatch.

Features:

- Innovative Diamond Grip™ feature offers easier installation without tools.
- Reduce building energy costs with an R-6 insulation value in both curb and cover.
- Counterbalanced spring design makes cover easier to operate for compliance with OSHA standards for one-handed operation while on a ladder.
- Durable IR-reflective white or aluminum mill finish minimizes heat buildup.



Product Details:

Curb: Single wall curb and counterflashing with Diamond Grip to secure roof membrane without tools.

- 14 gauge galvanized steel, white textured powder coat paint finish.
- 11 gauge aluminum, mill finish.

Cover: Formed and welded with liner, tested to support a live load of 40psf.

- 14 gauge with 22 gauge liner galvanized steel, white textured powder coat paint finish.
- 11 gauge with 18 gauge aluminum liner, mill finish.

Gasket: Continuous, weatherproof EPDM sponge rubber adhesive-backed seal.

Insulation: 1" polyisocyanurate in curb and cover with R-6 thermal resistance.

Spring: Counterbalanced compression springs contained in clear zinc-plated steel cylinders.

Latch: Clear zinc-plated steel slam latch with inside and outside handles and padlock hasps. Tested to 50psf wind uplift.

Hold-Open Arm: Clear zinc-plated automatic locking hold-open arm with red vinyl grip for one-handed door operation.

Hinge: Heavy duty clear zinc-plated steel pintle hinge.

Sizes: Minimum size 24" x 24", maximum size 48" x 96".

Options: Stainless steel hardware; 1.5" R-9 polyiso curb insulation; Colors: gray, red, bronze textured powder coat paint.



Size W x L (L = Hinge Side)	Steel	Aluminum
36" x 30"	RHDG-1WT	RHDA-1
36" x 36"	RHDG-4WT	RHDA-4
37" x 30"	RHDG-7WT	RHDA-7
48" x 48"	RHDG-5WT	RHDA-5

The Diamond Series- 37" x 30" model meets the OSHA 1910.23 requirement for 37" minimum headroom for ladder access.

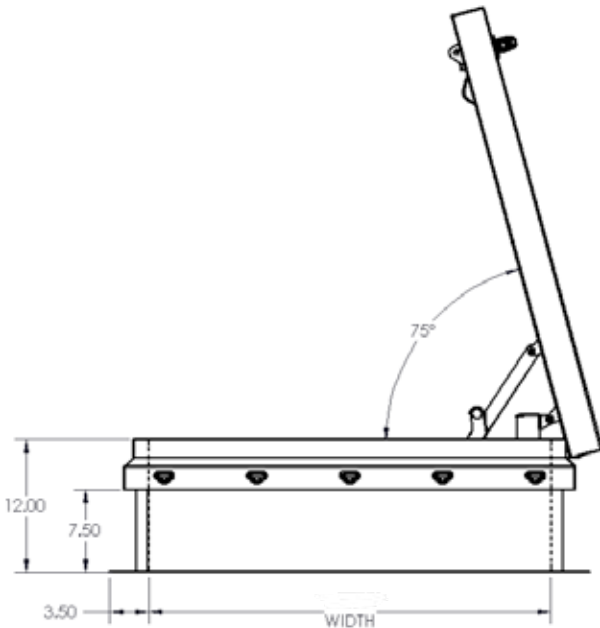


DIAMOND SERIES™: ROOF HATCH

Bringing you the most value in a standard galvanized or aluminum roof hatch.

Features:

- Innovative Diamond Grip™ feature offers easier installation without tools.
- Reduce building energy costs with an R-6 insulation value in both curb and cover.
- Counterbalanced spring design makes cover easier and safer to operate.
- Durable IR-reflective white or aluminum mill finish minimizes heat buildup.



Product Details:

Curb: Single wall curb and counterflashing with Diamond Grip to secure roof membrane without tools.

- 14 gauge galvanized steel, white textured powder coat paint finish.
- 11 gauge aluminum, mill finish.

Cover: Formed and welded with liner, tested to support a live load of 40psf.

- 14 gauge with 22 gauge liner galvanized steel, white textured powder coat paint finish.
- 11 gauge with 18 gauge aluminum liner, mill finish.

Gasket: Continuous, weatherproof EPDM sponge rubber adhesive-backed seal.

Insulation: 1" polyisocyanurate in curb and cover with R-6 thermal resistance.

Spring: Counterbalanced compression springs contained in clear zinc-plated steel cylinders.

Latch: Clear zinc-plated steel slam latch with inside and outside handles and padlock hasps. Tested to 50psf wind uplift.

Hold: Open Arm: Clear zinc-plated automatic locking hold-open arm with red vinyl grip for one-handed door operation.

Hinge: Heavy duty clear zinc-plated steel pintle hinge.

Sizes: Minimum size 24" x 24", maximum size 48" x 96".

Options: Stainless steel hardware; 1.5" R-9 polyiso curb insulation; Colors: gray, red, bronze textured powder coat paint.

Size W x L (L = Hinge Side)	Steel	Aluminum
30" x 54"	RHDG-2WT	RHDA-2
30" x 96"	RHDG-3WT	RHDA-3
32" x 72"	RHDG-6WT	RHDA-6

The Diamond Series- 32" x 72" model meets the IBC 1011.12 requirement for a 16 square foot minimum size roof hatch



ROOF HATCH COMBINATION UNITS & RIGID GATE

RHG-STH SERIES: ROOF HATCH WITH RAILING

The RHG-STH Series is a standard roof hatch with an integrated safety railing, providing a complete solution in a single unit.

Features:

- Designed with corner brackets welded to the counterflashing for easy assembly and installation of the safety railing in the field.
- Roof hatch with railing is sold as one unit.
- Complies with OSHA CFR 29-1910.29 when ordered with self-closing rigid gate

Product Details:

HATCH:

Material: 14 gauge galvanized steel.

Finish: Gray textured powder coat paint.

Curb: 12" single wall curb with 3-5/8" wide flange with holes for securing to roof deck.

Cover: 14 gauge galvanized steel, with 22 gauge galvanized steel liner. EPDM gasket seal.

Insulation: 1" Fiberboard insulation in curb and 1" mineral wool in cover.

Hardware: Heavy-duty hinge, pin and fastening hardware are zinc-plated steel. Heavy gauge, automatic hold open arm with red vinyl grip for opening and closing.

Spring: Counterbalanced spring(s) in cylinders for lift assist.

Latch: Zinc-coated exterior and interior handles with interior and exterior padlock hasp.

Options: Other sizes, stainless steel hardware, 1.5" polyiso curb insulation, colors.

RAILING:

Material: 1.66" O.D. galvanized steel tubing.

Finish: Safety yellow powder coat paint.

Hardware: Zinc-plated steel nuts, bolts and washers and 3/16" ASTM proof coil chain with hoops for securing.

Options: Self-closing rigid gate. See gate details below.



RHG-1-STH Shown with Optional Self-Closing Rigid Gate

Model	Size
RHG-1-STH	36" x 30"
RHG-2-STH	30" x 54"
RHG-3-STH	30" x 96"
RHG-4-STH	36" x 36"
RHG-5-STH	48" x 48"

SELF-CLOSING RIGID GATE FOR RAILING: SHG

When installed on safety railing, self-closing gate complies with new OSHA CFR 29-1910.29.

Features:

- Designed to fit railings with 1.66" O.D. vertical tube posts.
- Easily adjustable to fit openings from 24" to 36" in width.
- Fits all standard sizes of JL hatches.

Product Details:

Material: 1.625" diameter galvanized steel tubing.

Finish: Safety yellow.

Hardware: Zinc-plated steel threaded rod, nuts, washers and springs.



Model	Fits Sizes
SHG-2436	24" to 36" Opening



SHWC-3036 Shown with Optional Self-Closing Rigid Gate

SHWC Model	Fits Roof Hatch
SHWC-3036	36" x 30" & 37" x 30"
SHWC-3054	30" x 54"
SHWC-3096	30" x 96"
SHWC-3636	36" x 36"
SHWC-4848	48" x 48"
SHWC-3272	32" X 72"

SAF-T HATCH™: COMPRESSION FIT SAFETY RAILING

The Saf-T-Hatch Railing can be installed on any manufacturer's roof hatch to prevent falls through the opening. This patented railing system features a compression frame that is assembled around the curb base of new or existing roof hatches.

Features:

- Designed to protect your roof warranty - does not penetrate the curb or the roof deck.
- Retrofits on installed hatches in the field to add fall protection.
- Complies with OSHA CFR 29-1910.29 Guardrail Systems when ordered with optional rigid self-closing gate SHG-2436.

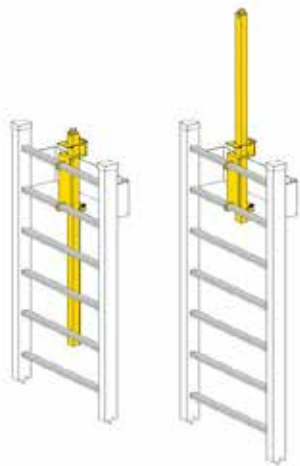
Product Details:

Material: 1.66" O.D. galvanized steel tubing, 2" x 2" 16 gauge galvanized tubing base. Base pad is 3/4" styrofoam.

Finish: Safety yellow powder coat paint.

Hardware: Zinc-plated steel nuts, bolts, washers and 3/16" ASTM proof coil chain with hoops for securing to post.

Options: Other sizes, self-closing gate. See page 4 for gate details.



LP-4 AND LP-5 SLIDING SAFETY POSTS

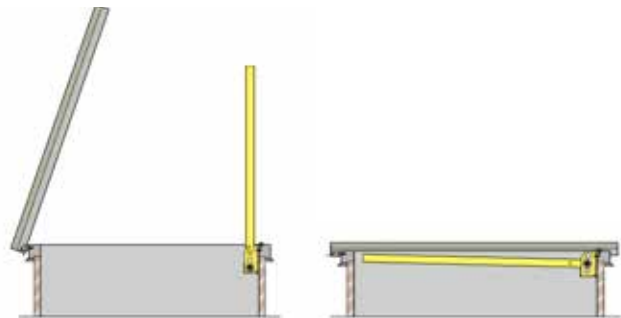
Product Details:

Material: 1-1/2" x 1-1/2" square steel post attached to a steel strike plate and bracket.

Finish: Safety yellow powdercoat paint, or hot dip galvanized.

Mounting: Bolts in (2) places with 3/8" U bolt to (2) ladder rungs. Spring steel constant force spring for lift assistance.

Model	Type	Finish
LP-4	Sliding	Safety Yellow Powder Coat
LP-5	Sliding	Hot Dip Galvanized



LP-6 FOLDING SAFETY POST:

Product Details:

Material: 1-1/2" x 1-1/2" square steel post attached by swivel bolt to welded 10 gauge steel plate mount.

Finish: Safety yellow powder coat paint.

Mounting: Mounts to roof hatch curb with 3/8"-14 screws.

Model	Type	Finish
LP-6	Folding	Safety Yellow Powder Coat



EQUIPMENT SERIES: DOUBLE LEAF HATCHES

Our double door steel or aluminum equipment hatches are ideal for equipment installation and servicing from the roof.

Product Details:

Curb: 14 gauge galvanized steel or 11 gauge aluminum 12" single wall curb with 4" wide flange includes holes for securing to roof deck.

Cover: 14 gauge galvanized steel or 11 gauge aluminum exterior and liner. Hinged on the "length" side. Oversize doors may be spliced.

Gasketing: Continuous, weatherproof bulb neoprene door seal.

Insulation: The cover has 1" fiberglass insulation, and the curb has 1" rigid fiber insulation.

Finish: 2 coats silver prime coat.

Hardware: Heavy-duty galvanized hinges, automatic hold-open, and operating arms with red vinyl handlegrip. Cover hardware has two point universal spring latches, with both exterior and interior handles and padlock hasps.

Spring: Standard lift springs are pressure intensifiers. Adjustable torsion springs are provided for oversized models.

Sizes: Roof opening size is order size. Clear opening is minus 8" on width and minus 4" on length.

Options: R 11.4 polyiso insulation, double wall curb, optional colors, custom sizes.

Roof Opening W x L (L = Hinge Side)	Steel	Aluminum	Domed Steel	Domed Aluminum
72" x 96"	EHG-1	EHA-1	DEHG-1	DEHA-1
60" x 120"	EHGA-2*	EHA-2	DEHGA-2*	DEHA-2
120" x 120"	EHGA-3*	EHA-3	DEHGA-3*	DEHA-3
144" x 144"	EHGA-4*	EHA-4	DEHGA-4*	DEHA-4
* Steel curb with aluminum covers				

EQUIPMENT SERIES: DOUBLE LEAF DOMED HATCHES

Add more daylight into your building with domed equipment hatches.

Product Details:

Curb: 14 gauge galvanized steel or 11 gauge aluminum 12" single wall curb with 4" wide flange includes holes for securing to roof deck.

Cover: 14 gauge galvanized steel or 11 gauge aluminum exterior and liner. Hinged on the "length" side. Cover includes a one piece dome (or multiples) of either white or clear acrylic, a dome frame of extruded aluminum #6063-T5 and self-contained sloping condensation and weepage gutter for drainage. Oversize doors may be spliced.

Gasketing: Continuous, weatherproof bulb neoprene door seal.

Insulation: The cover has 1" fiberglass insulation, and curb has 1" rigid fiber insulation.

Finish: 2 coats silver prime coat.

Hardware: Heavy-duty galvanized hinges, automatic hold-open and operating arms with red vinyl handlegrip. Cover hardware has 2 point universal spring latch, with both exterior and interior handles and padlock hasps.

Spring: Standard lift springs are pressure intensifiers. Adjustable torsion springs are provided for oversized models.

Sizes: Roof opening size is order size. Clear opening is minus 8" on width and minus 4" on length.

Options: R 11.4 polyiso insulation, dual domes, double wall curb, optional colors, custom sizes.





UFV SERIES: DOUBLE LEAF STANDARD SMOKE VENT

Meet IBC code with JL smoke vents. Equipped with a fusible link for automatic operation to exhaust smoke and heat in the event of a fire .

Product Details:

Curb: 14 gauge galvanized steel curb is 15" high, single wall with 4" wide flange including holes for securing to roof deck.

Cover: 11 gauge aluminum exterior and liner that is hinged on the "length" side.

Gasketing: Continuous, weatherproof bulb neoprene door seal.

Insulation: The cover has 1" fiberglass insulation, and the curb has 1" rigid fiber insulation.

Finish: 2 coats prime coat.

Hardware: Hardware includes heavy-duty aluminum 3/16" pivot hinges. Pull handles are provided for exterior or interior manual operation.

Spring Operation: Torsion spring drives open the covers automatically. Shock absorbers control the speed of the leaves as they open.

Certifications: Sizes listed are UL-listed for UL 793, and are equipped with a UL-listed 165° F fusible link.

Snow Load: Designed to open against 10 psf (49 kg/m²) snow/wind load.

Live Load: Vent assembly rated for 40 psf (195 kg/m²) live load.

Wind Uplift: Covers will remain closed under 90 psf (438 kg/m²) wind uplift force.

Options: R 11.4 polyiso insulation, outer curb liner, McCabe link, optional colors, custom sizes, security grille.



Roof Opening W x L (L = Hinge Side)	Standard Smoke Vent	Domed Smoke Vent
48" x 48"	UFV-1	UDFV-1
48" x 72"	UFV-2	UDFV-2
48" x 90"	UFV-3	UDFV-3
48" x 96"	UFV-4	UDFV-4

UDFV SERIES: DOUBLE LEAF DOMED SMOKE VENT

Add more daylight into your building with domed smoke vents.

Product Details:

Curb: 14 gauge galvanized steel curb is 15" high, single wall with 4" wide flange includes holes for securing to roof deck.

Cover: 11 gauge aluminum exterior and liner that is hinged on the "length" side. Cover includes a one piece dome (or dual) of either white translucent or clear acrylic, in an extruded aluminum frame with a self-contained sloping condensation and weepage gutter for drainage.

Gasketing: Continuous, weatherproof bulb neoprene door seal.

Insulation: The curb has 1" rigid fiber insulation.

Finish: 2 coats prime coat.

Hardware: Hardware includes heavy-duty aluminum 3/16" pivot hinges. Pull handles are provided for exterior or interior manual operation.

Dome: Clear or white acrylic.

Spring Operations: Torsion spring drives open the covers automatically. Shock absorbers control the speed of the leaves as they open.

Snow Load: Designed to open against 10 psf (49 kg/m²) snow/wind load.

Live Load: Vent assembly rated for 40 psf (195 kg/m²) live load.

Wind Uplift: Covers will remain closed under 90 psf (438 kg/m²) wind uplift force.

Options: Dual domes, R 11.4 polyiso insulation, outer curb liner, McCabe link, optional colors, custom sizes, security grille.





ROOFTOP SUPPORTS

KEYCURB™ SUPPORTS

The KeyCurb series is ideal for properly supporting piping, conduits and other rooftop components without penetrating the roof deck.

Features:

- 100% Recycled UV-resistant rubber base
- Distributes weight to comply with roof deck compression load limits
- Easy to install - use of the Keycurb bases eliminate support pads
- Several adjustable height models provide flexibility to support HVAC ductwork at customized heights



KEYCURB
BASE



STRUT SERIES
RKCSN



BRIDGE SERIES
RKCBN



ROLLER SERIES
RKCRN



MULTIPURPOSE
SINGLE SERIES
RKCMA1



STRUT
EXTENSION SERIES
RKCE



BRIDGE
EXTENSION SERIES
RKCBE



ROLLER
EXTENSION SERIES
RKCRE



MULTIPURPOSE
DUAL SERIES
RKCMA2

ACTIVAR INC.

CONSTRUCTION PRODUCTS GROUP



JL INDUSTRIES



AIR LOUVERS



HEMATHAL



SANSON



THOMAS



ACCESSORIES
RIA
ROOFTOP

CONTACT US | PHONE: 800-554-6077 | FAX: 952-835-2218

EMAIL: SALES@ACTIVARCPG.COM

MANUFACTURING: BLOOMINGTON, MN | COMMERCE, CA

RA1806

WAREHOUSES: DALLAS, TX | LANCASTER, PA | SEATTLE, WA | CHICAGO, IL | FARGO, ND | OMAHA, NE | FT MYERS, FL