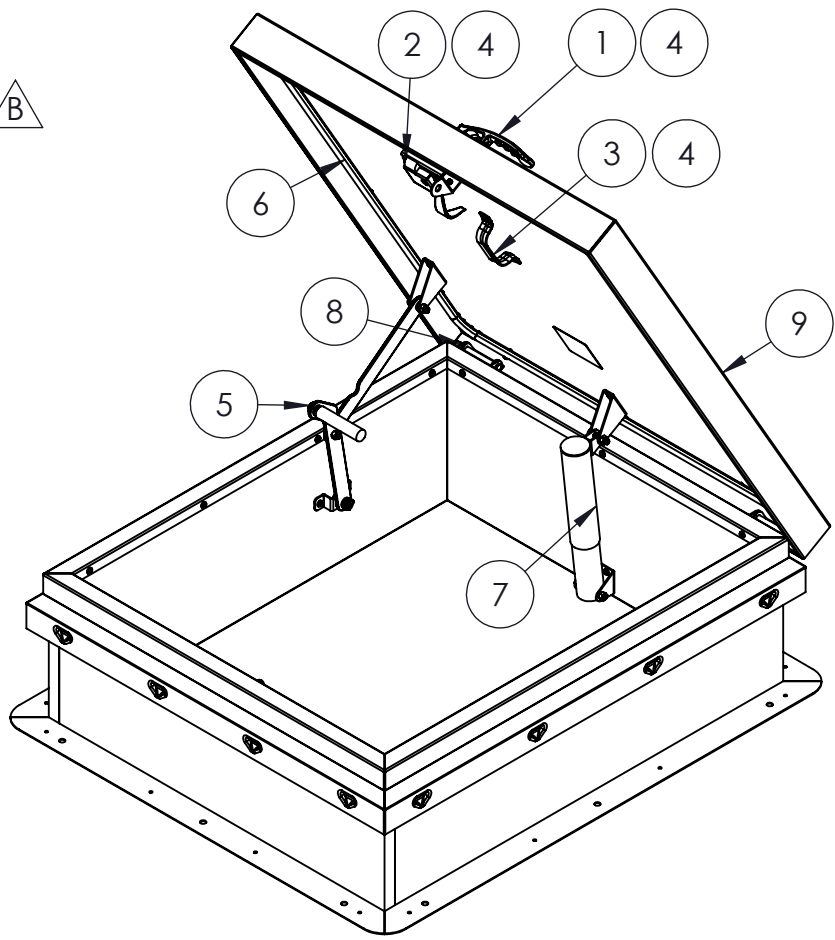


ITEM NO.	PART NUMBER	DESCRIPTION
1	RHD-KIT-LHANDLE	KIT, ROOF HATCH, L HANDLE
2	RHD-KIT-LATCH	KIT, ROOF HATCH, SLAM LATCH
3	RHD-KIT-PULL	KIT, ROOF HATCH, PULL HANDLE
4	RHD-KIT-LATCH-FULL	KIT, ROOF HATCH, LATCH ALL L HANDLE, SLAM LATCH, PULL HANDLE
5	RHD-KIT-HOA	KIT, ROOF HATCH, HOLD OPEN ARM
6	RHD-KIT-GSKT-15FT	KIT, ROOF HATCH, GASKET 15FT, FOR 36X30
7	RHD-KIT-SPR-G1	KIT, ROOF HATCH, SPRING ASSEMBLY STEEL 36X30
8	RHD-KIT-HINGES	KIT, ROOF HATCH, HINGES 2
9	RHD-KIT-LID-G1	KIT, ROOF HATCH, 36X30 STEEL, WHITE TEXTURE
10	P13WTEX-MC-SPRAY	SPRAY PAINT WHITE TEXTURED

REVISIONS					
REV	ECO	DESCRIPTION	REV. DATE	REV. BY	REV. CHECKED BY
B	1386	UPDATED FOR 2020 AND AFTER RHD	10/06/2022	KTA	DJM



NOTES: 1. FOR ROOF HATCHES MANUFACTURED IN 2019 AND PRIOR, USE RHD-KIT-HINGES-2019

MATERIAL	GALV		SHEET 1 OF 8 UNLESS OTHERWISE SPECIFIED: DIMENSIONS ARE IN INCHES	ACTIVAR CONSTRUCTION PRODUCTS GROUP, INC.
FINISH				
CREATED	NAME JHL	DATE 01/05/2018	TOLERANCES: ANGULAR: BEND ±1° .XX ±.020 .XXX ±.015 HOLES ±.005	TITLE: ROOF HATCH RH-SERIES KIT, ROOF HATCH
CHECKED	AGA	1/5/2018		
CONFIDENTIALITY STATEMENT PROPRIETARY AND CONFIDENTIAL THE INFORMATION CONTAINED IN THIS DRAWING IS THE SOLE PROPERTY OF ACTIVAR CONSTRUCTION PRODUCTS GROUP, INC. ANY REPRODUCTION IN PART OR AS A WHOLE WITHOUT THE WRITTEN PERMISSION OF ACTIVAR CONSTRUCTION PRODUCTS GROUP, INC. IS PROHIBITED. COPYRIGHT 2017 ACTIVAR CONSTRUCTION PRODUCTS GROUP, INC.			DO NOT SCALE DRAWING	INTERPRET GEOMETRIC TOLERANCING PER: ASME Y 14.5 M-1994
			THIRD ANGLE	
			SIZE	DWG. NO. A RHD-KIT-PARTS

8

7

6

5

4

3

2

1

REVISIONS					
REV	ECO	DESCRIPTION	REV. DATE	REV. BY	REV. CHECKED BY
B	1386	UPDATED FOR 2020 AND AFTER RHD	10/06/2022	KTA	DJM

F

F

E

E

D

D

C

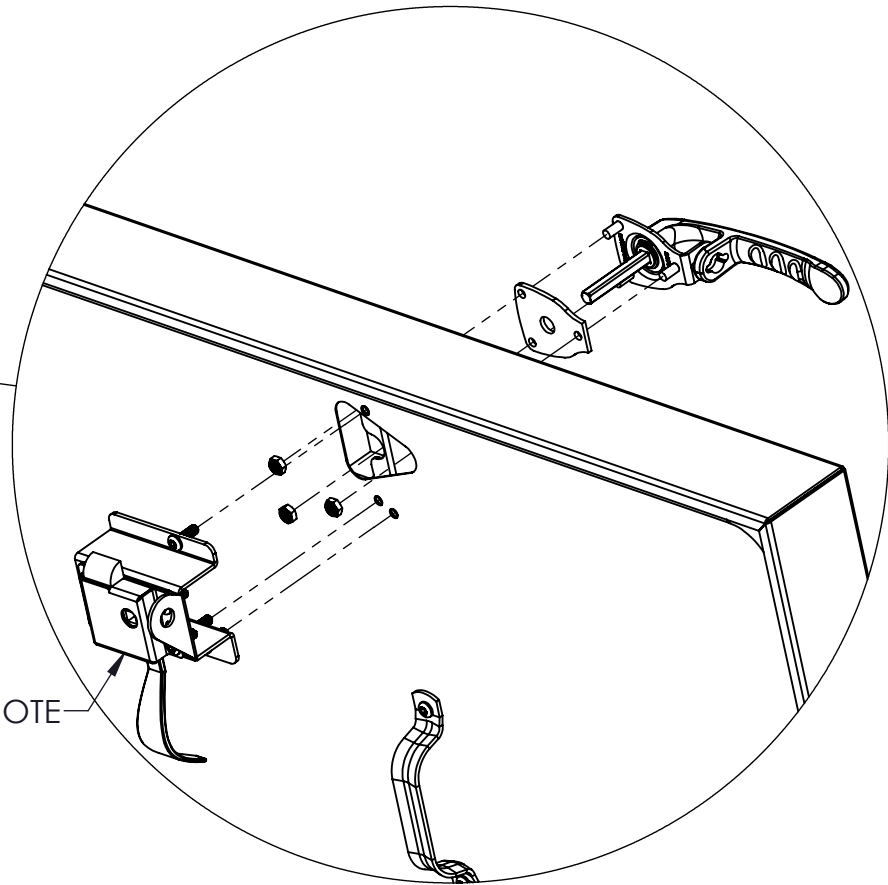
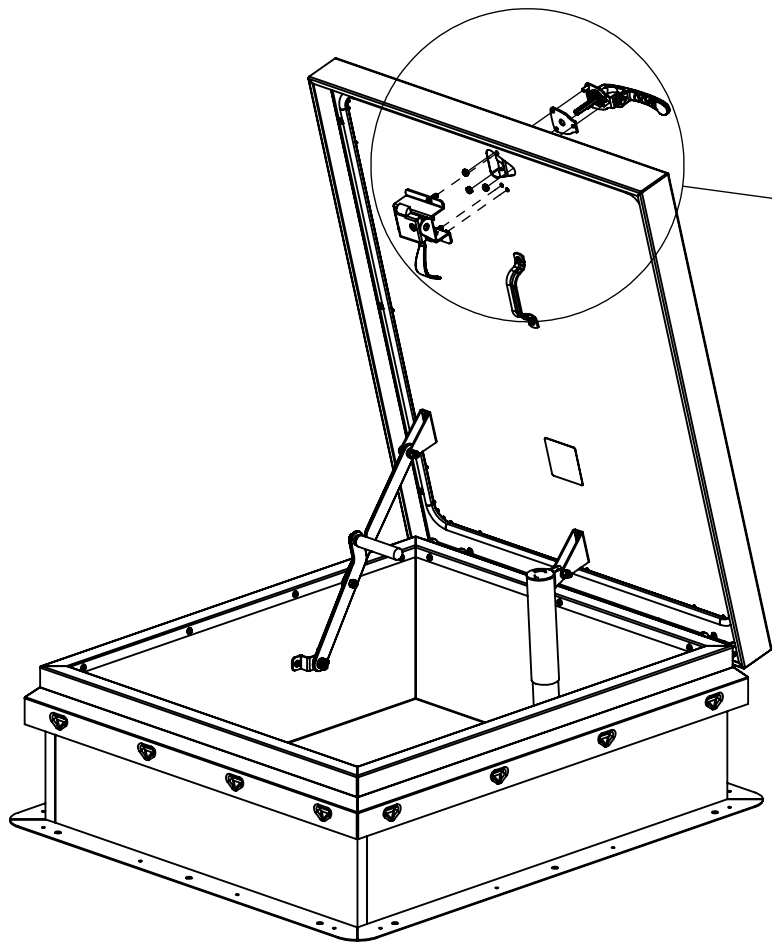
C

B

B

A

A



DETAIL A
SCALE 1 : 5

NOTES: 1. SLAM LATCH AND BRACKET HAVE TO BE REMOVED TO REPLACE L-HANDLE.

MATERIAL	GALV		SHEET 2 OF 8 UNLESS OTHERWISE SPECIFIED: DIMENSIONS ARE IN INCHES TOLERANCES: ANGULAR: BEND ±1° .XX ±.020 .XXX ±.015 HOLES ±.005	ACTIVAR CONSTRUCTION PRODUCTS GROUP, INC.
FINISH	NAME	DATE		
CREATED	JHL	01/05/2018	INTERPRET GEOMETRIC TOLERANCING PER: ASME Y 14.5 M-1994 SCALE: 1:14	TITLE: ROOF HATCH RH-SERIES KIT, ROOF HATCH
CHECKED	AGA	1/5/2018		
<small>CONFIDENTIALITY STATEMENT PROPRIETARY AND CONFIDENTIAL THE INFORMATION CONTAINED IN THIS DRAWING IS THE SOLE PROPERTY OF ACTIVAR CONSTRUCTION PRODUCTS GROUP, INC. ANY REPRODUCTION IN PART OR AS A WHOLE WITHOUT THE WRITTEN PERMISSION OF ACTIVAR CONSTRUCTION PRODUCTS GROUP, INC. IS PROHIBITED. COPYRIGHT 2017 ACTIVAR CONSTRUCTION PRODUCTS GROUP, INC.</small>			DO NOT SCALE DRAWING	SIZE DWG. NO. A RHD-KIT-PARTS
			 THIRD ANGLE	

8

7

6

5

4

3

2

1

8

7

6

5

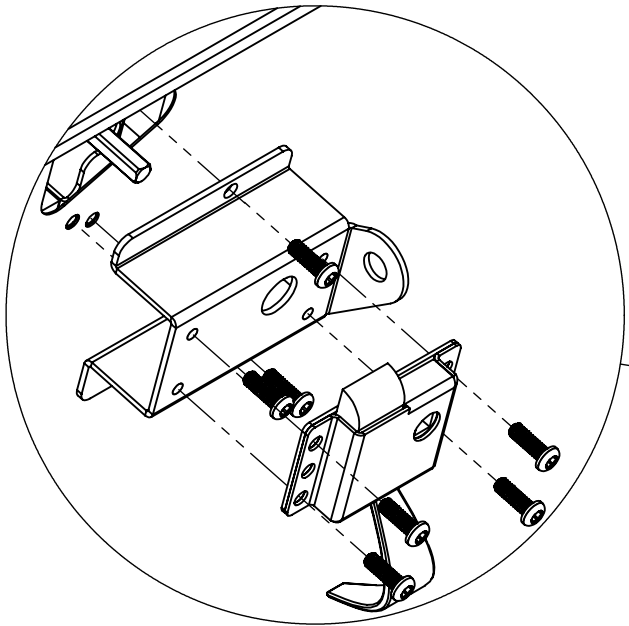
4

3

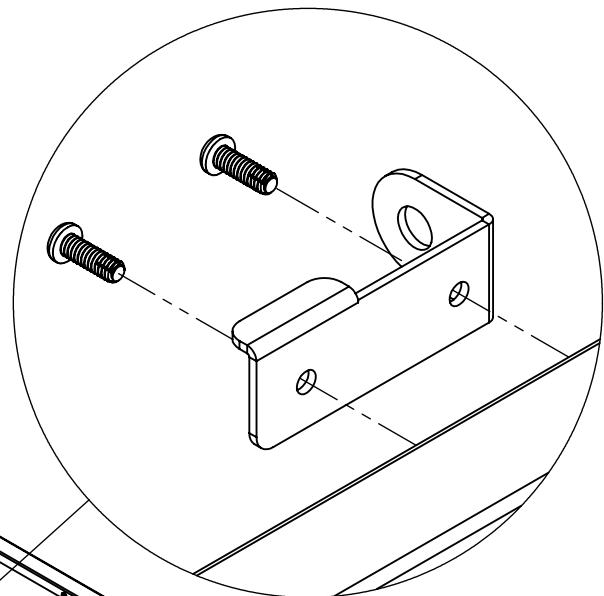
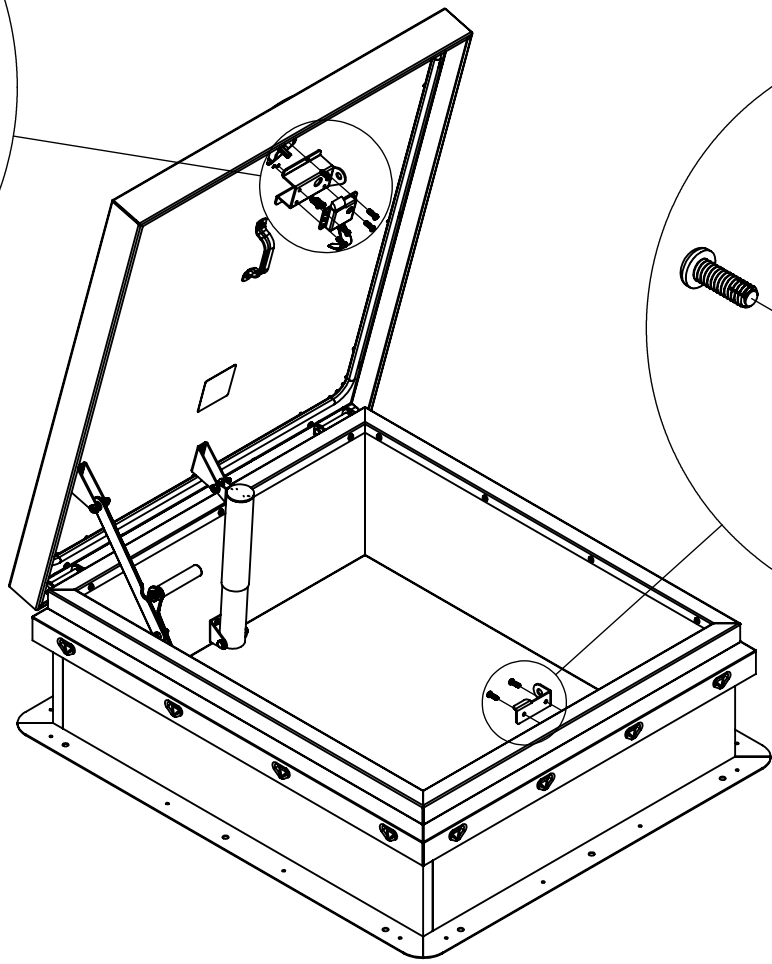
2

1

REVISIONS					
REV	ECO	DESCRIPTION	REV. DATE	REV. BY	REV. CHECKED BY
B	1386	UPDATED FOR 2020 AND AFTER RHD	10/06/2022	KTA	DJM



DETAIL B
SCALE 1 : 3



DETAIL C
SCALE 1 : 2

F

E

D

C

B

A

F

E

D

C

B

A

NOTES:

MATERIAL	GALV		SHEET 3 OF 8 UNLESS OTHERWISE SPECIFIED: DIMENSIONS ARE IN INCHES TOLERANCES: ANGULAR: BEND $\pm 1^\circ$.XX $\pm .020$.XXX $\pm .015$ HOLES $\pm .005$	 CONSTRUCTION PRODUCTS GROUP, INC. TITLE: ROOF HATCH RH-SERIES KIT, ROOF HATCH
FINISH	NAME	DATE		
CREATED	JHL	01/05/2018	CONFIDENTIALITY STATEMENT PROPRIETARY AND CONFIDENTIAL THE INFORMATION CONTAINED IN THIS DRAWING IS THE SOLE PROPERTY OF ACTIVAR CONSTRUCTION PRODUCTS GROUP, INC. ANY REPRODUCTION IN PART OR AS A WHOLE WITHOUT THE WRITTEN PERMISSION OF ACTIVAR CONSTRUCTION PRODUCTS GROUP, INC. IS PROHIBITED. COPYRIGHT 2017 ACTIVAR CONSTRUCTION PRODUCTS GROUP, INC.	DO NOT SCALE DRAWING THIRD ANGLE INTERPRET GEOMETRIC TOLERANCING PER: ASME Y 14.5 M-1994 SCALE: 1:14
CHECKED	AGA	1/5/2018		

8

7

6

5

4

3

2

1

8

7

6

5

4

3

2

1

REVISIONS					
REV	ECO	DESCRIPTION	REV. DATE	REV. BY	REV. CHECKED BY
B	1386	UPDATED FOR 2020 AND AFTER RHD	10/06/2022	KTA	DJM

F

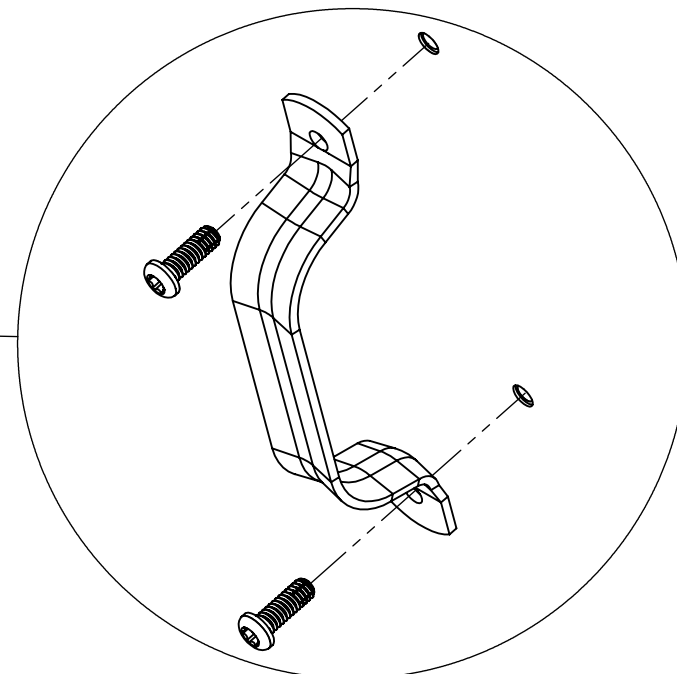
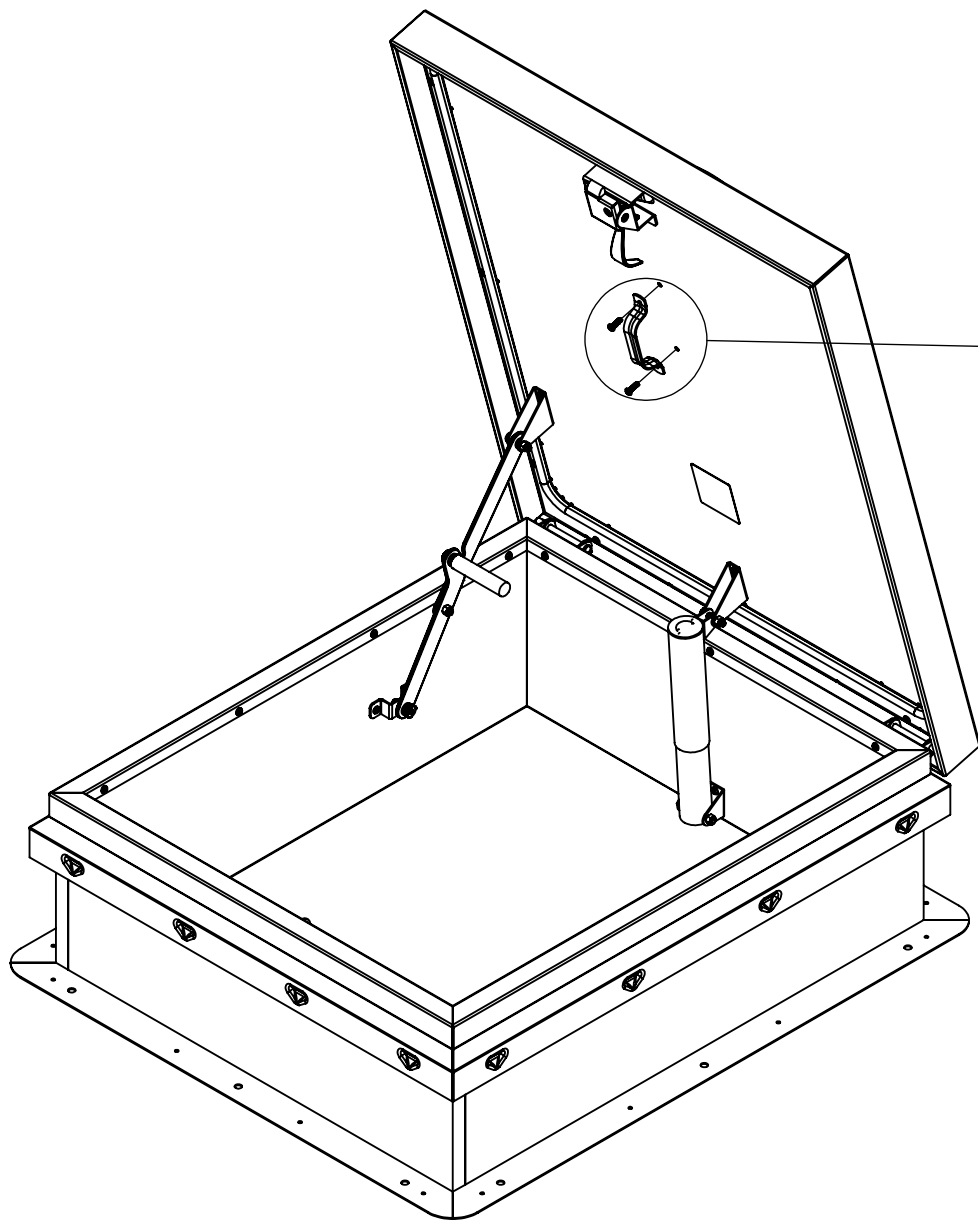
E

D

C

B

A



DETAIL D
SCALE 1 : 2

F

E

D

C

B

A

NOTES:

MATERIAL	GALV		SHEET 4 OF 8 UNLESS OTHERWISE SPECIFIED: DIMENSIONS ARE IN INCHES TOLERANCES: ANGULAR: BEND $\pm 1^\circ$.XX $\pm .020$.XXX $\pm .015$ HOLES $\pm .005$	ACTIVAR CONSTRUCTION PRODUCTS GROUP, INC. TITLE: ROOF HATCH RH-SERIES KIT, ROOF HATCH
FINISH	NAME	DATE		
CREATED	JHL	01/05/2018	DO NOT SCALE DRAWING THIRD ANGLE INTERPRET GEOMETRIC TOLERANCING PER: ASME Y 14.5 M-1994 SCALE: 1:11	SIZE DWG. NO. A RHD-KIT-PARTS
CHECKED	AGA	1/5/2018		
<small>CONFIDENTIALITY STATEMENT PROPRIETARY AND CONFIDENTIAL. THE INFORMATION CONTAINED IN THIS DRAWING IS THE SOLE PROPERTY OF ACTIVAR CONSTRUCTION PRODUCTS GROUP, INC. ANY REPRODUCTION IN PART OR AS A WHOLE WITHOUT THE WRITTEN PERMISSION OF ACTIVAR CONSTRUCTION PRODUCTS GROUP, INC. IS PROHIBITED. COPYRIGHT 2017 ACTIVAR CONSTRUCTION PRODUCTS GROUP, INC.</small>				

8

7

6

5

4

3

2

1

8 7 6 5 4 3 2 1



REVISIONS					
REV	ECO	DESCRIPTION	REV. DATE	REV. BY	REV. CHECKED BY
B	1386	UPDATED FOR 2020 AND AFTER RHD	10/06/2022	KTA	DJM

DETAIL E
SCALE 1 : 4

F
E
D
C
B
A

F
E
D
C
B
A

NOTES:

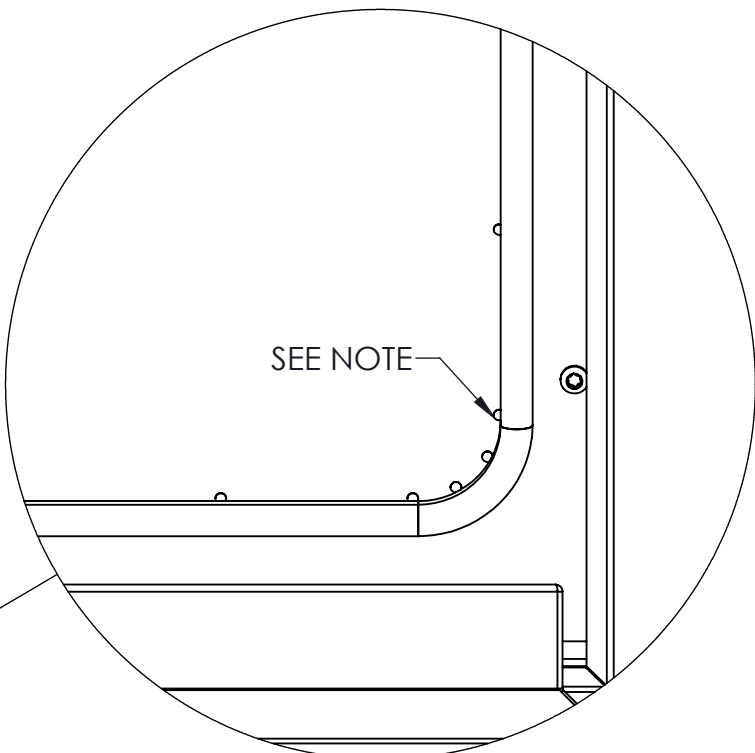
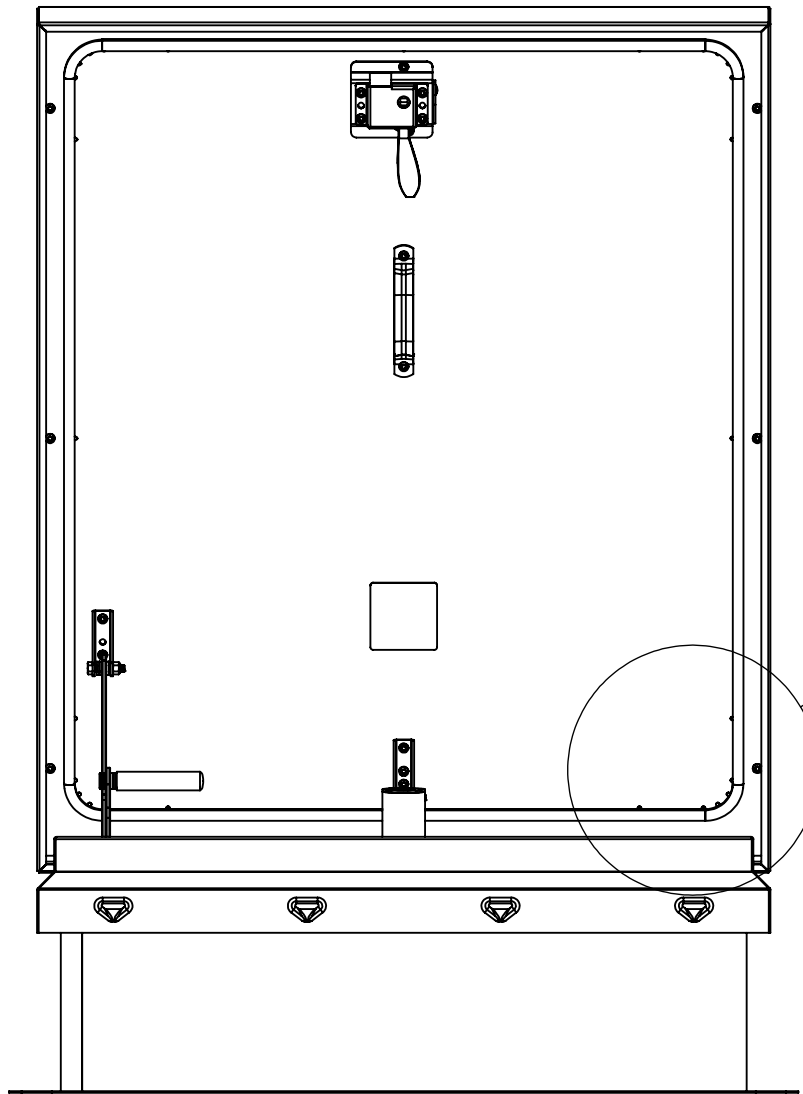
MATERIAL	GALV		SHEET 5 OF 8	 CONSTRUCTION PRODUCTS GROUP, INC. TITLE: ROOF HATCH RH-SERIES KIT, ROOF HATCH
FINISH			UNLESS OTHERWISE SPECIFIED: DIMENSIONS ARE IN INCHES	
CREATED	NAME JHL	DATE 01/05/2018	TOLERANCES: ANGULAR: BEND $\pm 1^\circ$.XX $\pm .020$.XXX $\pm .015$ HOLES $\pm .005$	
CHECKED	AGA	1/5/2018	INTERPRET GEOMETRIC TOLERANCING PER: ASME Y 14.5 M-1994	
CONFIDENTIALITY STATEMENT PROPRIETARY AND CONFIDENTIAL. THE INFORMATION CONTAINED IN THIS DRAWING IS THE SOLE PROPERTY OF ACTIVAR CONSTRUCTION PRODUCTS GROUP, INC. ANY REPRODUCTION IN PART OR AS A WHOLE WITHOUT THE WRITTEN PERMISSION OF ACTIVAR CONSTRUCTION PRODUCTS GROUP, INC. IS PROHIBITED. COPYRIGHT 2017 ACTIVAR CONSTRUCTION PRODUCTS GROUP, INC.			DO NOT SCALE DRAWING	SCALE: 1:12
			 THIRD ANGLE	SIZE DWG. NO. A RHD-KIT-PARTS

8 7 6 5 4 3 2 1

8 7 6 5 4 3 2 1

REVISIONS					
REV	ECO	DESCRIPTION	REV. DATE	REV. BY	REV. CHECKED BY
B	1386	UPDATED FOR 2020 AND AFTER RHD	10/06/2022	KTA	DJM

F
E
D
C
B
A



DETAIL F
SCALE 1 : 3

F
E
D
C
B
A

- NOTES:
1. USE ISOPROPYL ALCOHOL WIPE ON LINER BEFORE INSTALLING.
 2. GASKET WILL REQUIRE CUTTING AS INSTALLED.
 3. DIMPLE TO BE ON INSIDE EDGE OF GASKETING

MATERIAL	GALV		SHEET 6 OF 8 UNLESS OTHERWISE SPECIFIED: DIMENSIONS ARE IN INCHES	ACTIVAR CONSTRUCTION PRODUCTS GROUP INC.
FINISH	NAME	DATE		
CREATED	JHL	01/05/2018	TOLERANCES: ANGULAR: BEND ±1° .XX ±.020 .XXX ±.015 HOLES ±.005	TITLE: ROOF HATCH RH-SERIES KIT, ROOF HATCH
CHECKED	AGA	1/5/2018		
<small>CONFIDENTIALITY STATEMENT PROPRIETARY AND CONFIDENTIAL. THE INFORMATION CONTAINED IN THIS DRAWING IS THE SOLE PROPERTY OF ACTIVAR CONSTRUCTION PRODUCTS GROUP, INC. ANY REPRODUCTION IN PART OR AS A WHOLE WITHOUT THE WRITTEN PERMISSION OF ACTIVAR CONSTRUCTION PRODUCTS GROUP, INC. IS PROHIBITED. COPYRIGHT 2017 ACTIVAR CONSTRUCTION PRODUCTS GROUP, INC.</small>			DO NOT SCALE DRAWING	<small>INTERPRET GEOMETRIC TOLERANCING PER: ASME Y 14.5 M-1994</small> SCALE: 1:9
			 THIRD ANGLE	

8 7 6 5 4 3 2 1

8

7

6

5

4

3

2

1

REVISIONS					
REV	ECO	DESCRIPTION	REV. DATE	REV. BY	REV. CHECKED BY
B	1386	UPDATED FOR 2020 AND AFTER RHD	10/06/2022	KTA	DJM

F

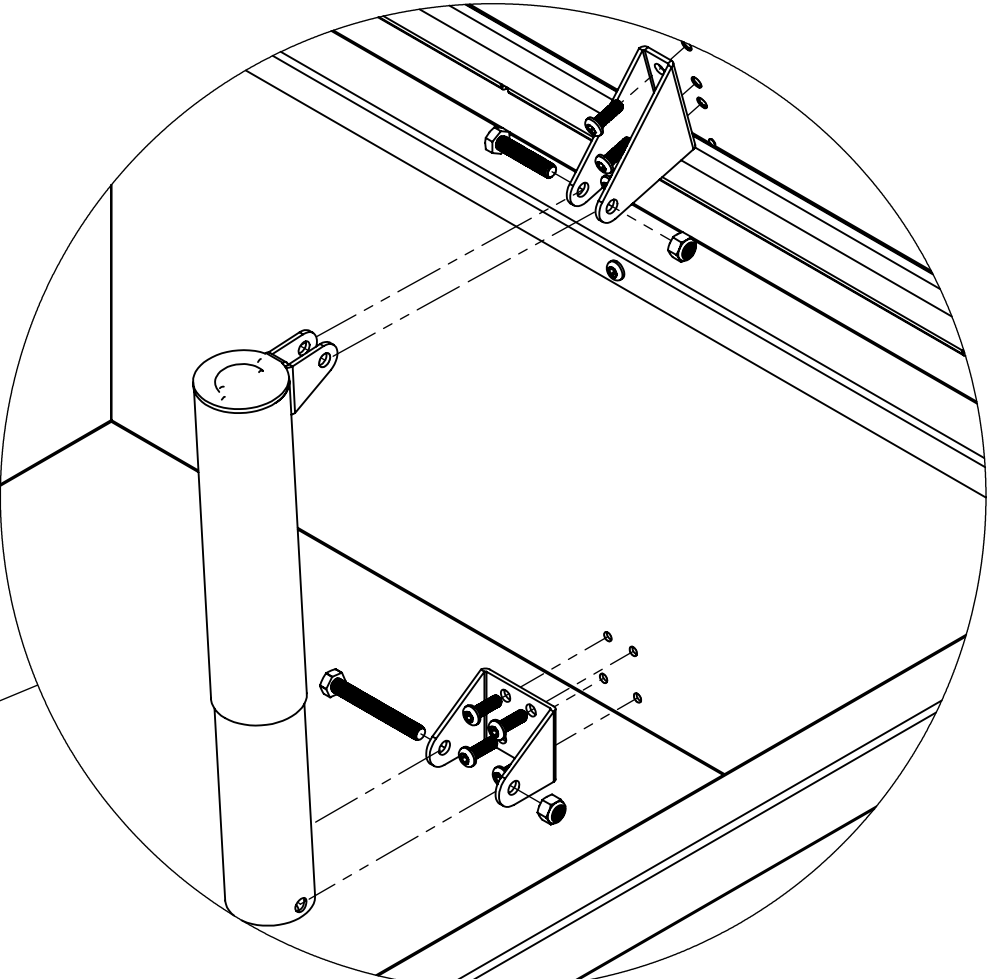
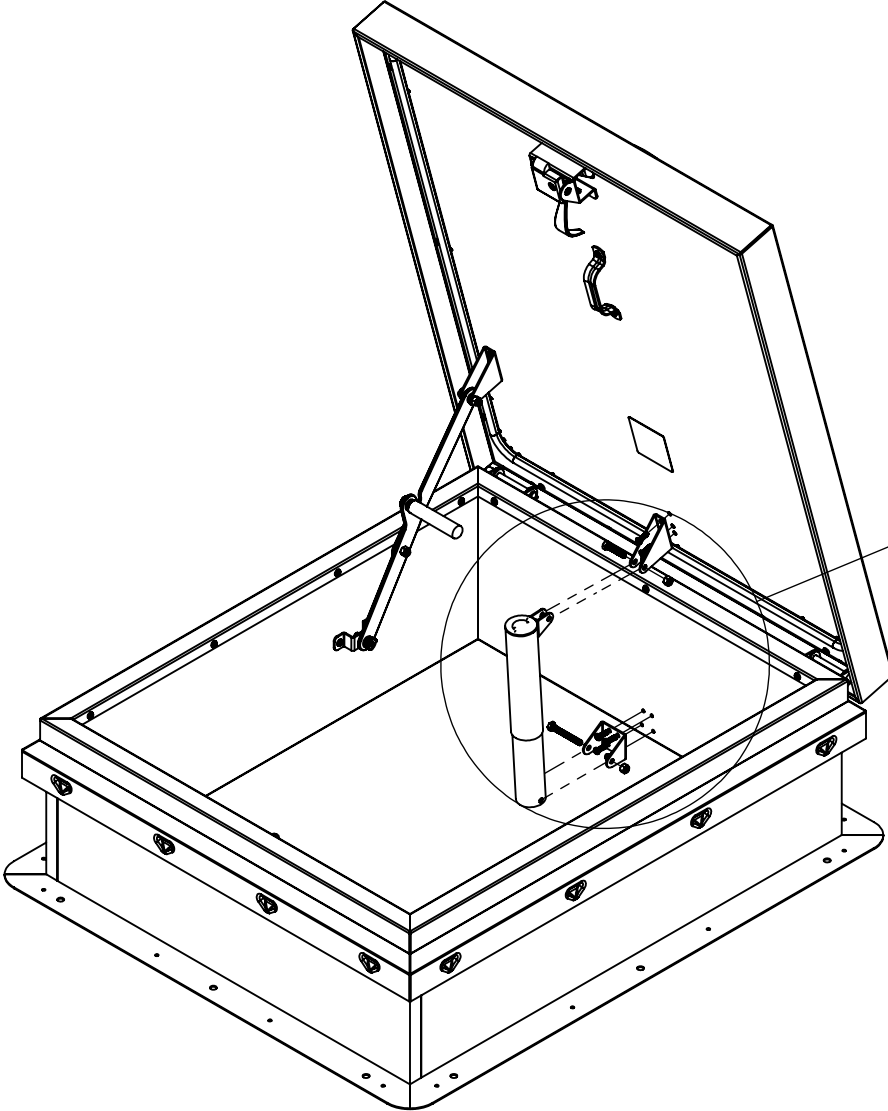
E

D

C

B

A



DETAIL G
SCALE 1 : 4

NOTES: 1. SPRING NESTED WITHIN A SPRING, INSIDE SPING CYLINDER.

MATERIAL	GALV		SHEET 7 OF 8 UNLESS OTHERWISE SPECIFIED: DIMENSIONS ARE IN INCHES	ACTIVAR CONSTRUCTION PRODUCTS GROUP, INC.
FINISH				
CREATED	NAME JHL	DATE 01/05/2018	TOLERANCES: ANGULAR: BEND ± 1° .XX ±.020 .XXX ±.015 HOLES ±.005	TITLE: ROOF HATCH RH-SERIES KIT, ROOF HATCH
CHECKED	AGA	1/5/2018		
<small>CONFIDENTIALITY STATEMENT PROPRIETARY AND CONFIDENTIAL THE INFORMATION CONTAINED IN THIS DRAWING IS THE SOLE PROPERTY OF ACTIVAR CONSTRUCTION PRODUCTS GROUP, INC. ANY REPRODUCTION IN PART OR AS A WHOLE WITHOUT THE WRITTEN PERMISSION OF ACTIVAR CONSTRUCTION PRODUCTS GROUP, INC. IS PROHIBITED. COPYRIGHT 2017 ACTIVAR CONSTRUCTION PRODUCTS GROUP, INC.</small>			DO NOT SCALE DRAWING	<small>INTERPRET GEOMETRIC TOLERANCING PER: ASME Y 14.5 M-1994</small>
			 THIRD ANGLE	
				<small>SIZE DWG. NO.</small> A RHD-KIT-PARTS

8

7

6

5

4

3

2

1

8

7

6

5

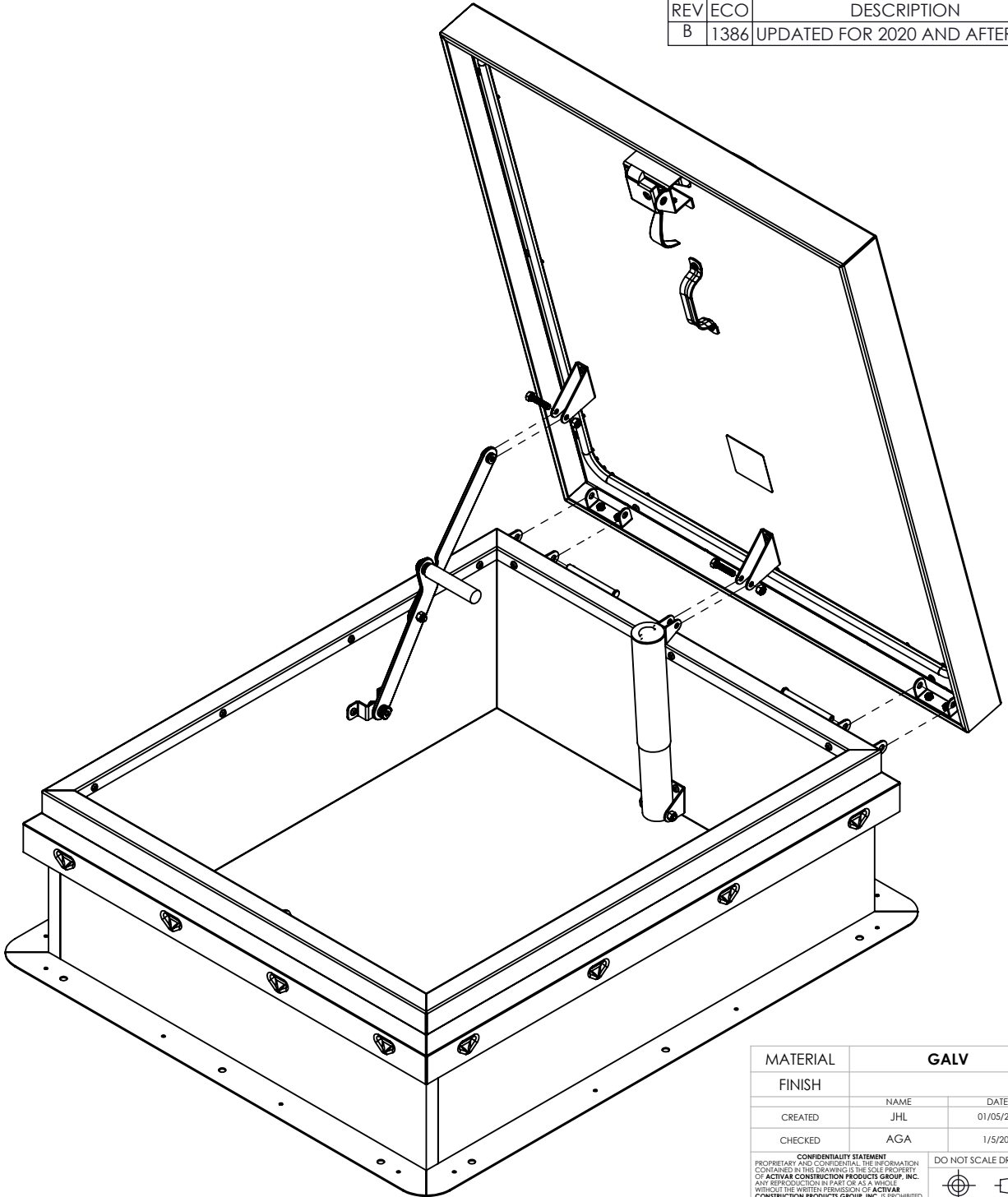
4

3

2

1

REVISIONS					
REV	ECO	DESCRIPTION	REV. DATE	REV. BY	REV. CHECKED BY
B	1386	UPDATED FOR 2020 AND AFTER RHD	10/06/2022	KTA	DJM



F

E

D

C

B

A

F

E

D

C

B

A

NOTES:

MATERIAL	GALV	
FINISH		
CREATED	NAME JHL	DATE 01/05/2018
CHECKED	AGA	1/5/2018
<small>CONFIDENTIALITY STATEMENT PROPRIETARY AND CONFIDENTIAL. THE INFORMATION CONTAINED IN THIS DRAWING IS THE SOLE PROPERTY OF ACTIVAR CONSTRUCTION PRODUCTS GROUP, INC. ANY REPRODUCTION IN PART OR AS A WHOLE WITHOUT THE WRITTEN PERMISSION OF ACTIVAR CONSTRUCTION PRODUCTS GROUP, INC. IS PROHIBITED. COPYRIGHT 2017 ACTIVAR CONSTRUCTION PRODUCTS GROUP, INC.</small>		
DO NOT SCALE DRAWING		

SHEET 8 OF 8
 UNLESS OTHERWISE SPECIFIED:
 DIMENSIONS ARE IN INCHES
 TOLERANCES:
 ANGULAR: BEND ±1°
 .XX ±.020
 .XXX ±.015
 HOLES ±.005

INTERPRET GEOMETRIC TOLERANCING PER:
 ASME Y 14.5 M-1994
 SCALE: 1:14

ACTIVAR
CONSTRUCTION PRODUCTS GROUP, INC.

TITLE: ROOF HATCH RH-SERIES KIT, ROOF HATCH

SIZE DWG. NO. **A RHD-KIT-PARTS**

8

7

6

5

4

3

2

1