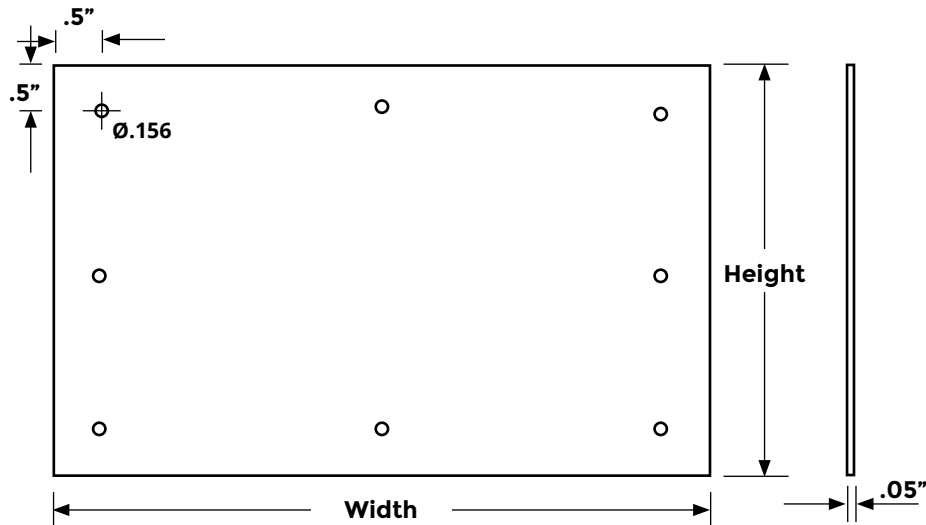


## KICKPLATES - HIAWATHA SERIES - Kick, Armor or Mop Plates - KP

Protect doors from damage from shoes, carts and equipment with durable plates in stainless steel or aluminum. Choose from standard sizes of kickplate, stretcher plate and mop plates or provide us with dimensions for custom sizes.



### SPECIFICATIONS:

**Material:** .05" aluminum or 18 gauge 304 stainless steel  
**Finishes:** Clear anodized US28 Aluminum, #4 finish US32D Stainless Steel

**Features:** Straight Edges, Punched Holes

**Fasteners:** #6 x 5/8" Phillips Head Screws

### OPTIONS:

Other thicknesses, cutouts, beveling, countersinking, two-sided tape applied, torx screws, UL fire-rated labeling

### RATINGS:

ANSI/BHMA A156.6 Architectural Door Trim: J101, J102, J103

Optional fire-rating for .036" Stainless steel kickplates with no cutouts can be rated for UL10C for up to 1-1/2 hours in sizes up to 48" H x 46.5" W

### Notes:

Per NFPA 80 6.4.5, fire-rated labeling is not required where the top of the protection plate is not more than 16" (406 mm) above the bottom of the door.

Recommended width of plates to be 2" less than door width.

### STANDARD KICKPLATES

QTY	MODEL	H X W	EDGES	HOLES	MATERIAL
	KP08A34A.A10	8" x 34"	Beveled	Countersunk	Stainless Steel
	KP10A34A.A10	10" x 34"			
	KP08A34A.B10	8" x 34"	Beveled		
	KP10A34A.B10	10" x 34"			
	KP10A46A.B10	10" x 46"	Straight	Punched	
	KP34A34A.B10	34" x 34"			
	KP08A34A.F10	8" x 34"			
	KP10A34A.F10	10" x 34"	Straight	Punched	
	KP10A46A.F10	10" x 46"			
	KP34A34A.F10	34" x 34"			
	KP10A34A.F08	10" x 34"			Aluminum

SEE PAGE 2 FOR CUSTOM OPTIONS AND SIZING

### OPTION EXAMPLES



Countersunk  
 Ø .198 THRU  
 ALL .255 X 82°

Punched  
 Ø.156

Straight

Bevelled



9702 Newton Ave S. Bloomington, MN 55431 | Many Locations Nationwide

800-554-6077  
 sales@activarcpg.com  
 www.activarcpg.com

Distributor:

Project:

Contractor:

Approved By:

Date:

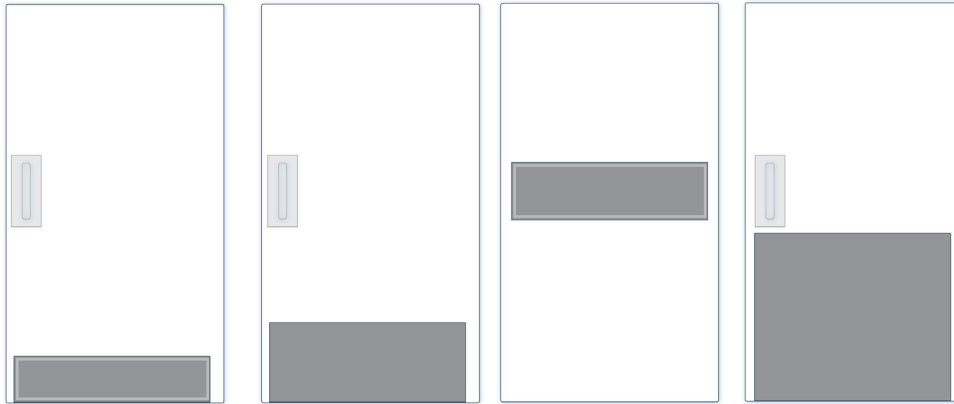
Architect:

Scale: N/A

Pages: 1 of 2

Item #:

# KICKPLATES - HIAWATHA SERIES - Kick, Armor or Mop Plates - KP



**Mop Plate**

Up to 8" H x 48" W  
ANSI 156.6 J103

**Kick Plate**

6" to 12" H x 48" W  
ANSI 156.6 J102

**Stretcher Plate**

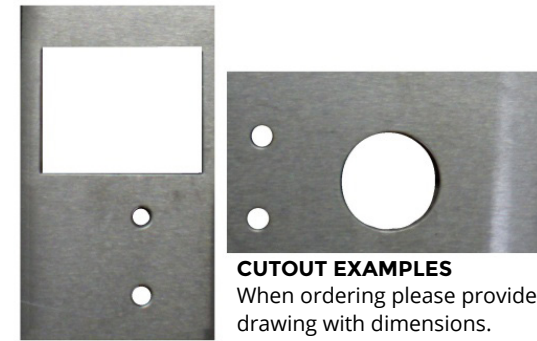
6" to 12" H x 48" W  
ANSI 156.6 J103

**Armor Plate**

Up to 48" W & H  
ANSI 156.6 J101

## Screw Quantity Chart

HEIGHT	LENGTH			
	17-½ - 24-½"	25 - 32-½"	33 - 41"	41-½ - 49"
4 - 9"	8	10	12	14
9-½ - 17"	10	12	14	16
17-½ - 24-½"	12	14	16	18
25 - 32-½"	14	16	18	20
33 - 41"	16	18	20	22
41 - 49"	18	20	22	24



**CUTOUT EXAMPLES**

When ordering please provide drawing with dimensions.

## MADE-TO-ORDER KICKPLATES

QTY	HEIGHT	WIDTH	FEATURES	MATERIAL	(MATERIAL THICKNESS)	(OTHER OPTIONS)	(CUTOUTS)
<input type="text"/>	<input type="text"/>	<input type="text"/>	<b>F</b> (Straight Edges & Punched Holes)	<b>08</b> (US28 Clear Anodized Aluminum)	(.05")	(No Options)	(No Cutouts)
<input type="text"/>	<input type="text"/>	<input type="text"/>	<b>A</b> (Beveled Edge & Countersunk Holes)	<b>10</b> (US32D Stainless Steel)	<b>MA</b> (.036")	<b>-B3E</b> (Beveled 3 sides)	<b>CO</b> (Attach drawings)
			<b>B</b> (Beveled Edge & Punched Holes)		<b>MB</b> (.06")	<b>T</b> (Tape Applied)	
			<b>C</b> (Straight Edges & Countersunk Holes)		<b>MC</b> (.08")	<b>TX</b> (Torx Screws)	
			<b>D</b> (Straight Edges & No Holes)		<b>MD</b> (0.125")	<b>UL</b> (UL Fire-Rated*)	
			<b>E</b> (Beveled Edges & No Holes)				

\*Optional fire-rating for .036" Stainless steel kickplates with no cutouts can be rated for UL10C for up to 1-½ hours in sizes up to 48" H x 46.5" W



800-554-6077  
sales@activarcpg.com  
www.activarcpg.com

9702 Newton Ave S. Bloomington, MN 55431 | Many Locations Nationwide

Distributor:	Project:
Contractor:	Approved By:
Date:	Architect:
Scale: N/A	Pages: 2 of 2
	Item #: