



Door Louvers

<u>Model</u>	<u>Description</u>	<u>Page</u>
	Door Louvers General Information	
600	Louver with Inverted "V" Blades	L1
700A	Louver with Inverted "Z" Blades	L2
700TL	Flush-Mounted Inverted "Z" Blade Transom Louver	L3
800R	Round, Decorative Louver with Inverted "Y" Blades	L4
800	Louver with Inverted "Y" Blades	L5
900	Louver with Standard "Z" Blades	L6
900FPL	Exterior "Z" Blade Louver with Bird Screen	L7
1000	Lightproof Louver with Overlapping Channel Blades	L8
1100	Adjustable "Z" Blade Louver	L9
1200A	Louver with Fixed & Adjustable "Z" Blades	L10
1300	Aluminum Louver with Inverted "V" Blades	L11
1400	Stormproof Aluminum Louver with "Z" Blades	L12
1500	Inverted "Y" Louver with Security Grille	L13
1900-A	Fire-Rated Louver with Fusible Link	L14
1900-ASG	Fire-Rated Louver with Fusible Link & Security Grille	L15
1500A-HRC	Hurricane-Rated Louver—WHI & FBC-Rated	L16

Copyright 2011 Air Louvers, Inc. ALPDS1105

800-554-6077

FIND THE MOST CURRENT PRODUCT INFORMATION AT WWW.AIRLOUVERS.COM

DOOR LOUVERS GENERAL INFORMATION

MADE IN USA

All door louvers are manufactured in the USA.

QUICK SHIP

Several models of Louvers are available in one or more of our 6 warehouses in Lancaster PA, Bloomington MN, Commerce CA, Atlanta GA, Seattle WA or Chicago IL. [Check the Stock list on our website at WWW.AIRLOUVERS.COM](http://WWW.AIRLOUVERS.COM) for the most current listing.

CUSTOM ORDERS & SPECIAL SIZES

Because we design and manufacture our own lites& louvers in our California facility, we can help you with special requests including non-standard sizes, special finishes or custom colors, and fitting non-standard doors. Call Customer Service to find out more.

MATERIAL

All door louvers (except Models 1300 and 1400) are fabricated from cold rolled steel. See specific model for respective gauge. Models 1300 and 1400 are constructed from aluminum which contains approximately 65% recycled content.

CONSTRUCTION

Permanent interlocking construction is used to secure blades to frame on fixed or stationary louvers. All steel louver frames have mitered and flush welded corners. Louvers with adjustable blades employ clearance rivets at all operating points.

FASTENERS

All louvers with mounting frames (styles "C", "A", and "A-1") have standard 3/16" diameter pre-punched holes for Phillips sheet metal screws (provided with each louver). All screw and bolt heads match louver finish. Vandal or tamper-proof such as Torx and hex head fasteners are available as well as other specialty fasteners.

FINISH

Standard finish for all steel louvers unless otherwise noted, is a powder-coat mineral bronze baked silicone polyester powder. Air Louvers offers 11 powder coat finishes at no additional charge. Powder coating provides complete coverage inside and out, assuring that your louver will provide durable service for years. Powder coating generates no VOC's during the application process or after installation. Specify optional colors at the time of order. Substrata preparation is accomplished through a thorough degreasing and the application of an extended-life iron phosphate coating. Model 1300 louvers are painted satin aluminum, Model 700TL is gray primer and Model 1000 is flat black. Model 1400 is mill aluminum finish. Other finishes and colors are available - contact Customer Service. Touch up paint available for most colors.

SCREENS

Most louvers can be fitted with insect screens. 18-14 mesh aluminum, bronze wire, stainless steel or fiberglass insect screening material can be provided. Check individual models to determine if screen is provided in roll formed aluminum frames or shipped loose. Bird screens are also available. Frames are attached by either sheet metal screws, tape, or plastic clips in the field (for easy installation or removal). Screens are normally mounted on the face or corridor frame of the louver. Fasteners are available on request.

SIZES

All model louvers and lites are made in commonly-ordered sizes to fit most door applications. The most popular model and sizes are carried in stock for immediate shipment from the factory - [See our Warehouse Stock List](#). Louvers are normally dimensioned in even inch increments, i.e., 12" x 12", 24" x 18", etc., however, other sizes can be made to order. Dimensions are always given with width first and height second. Order dimensions should represent the size of the cut-out opening in the door. The actual louver is undersized by 1/8" or 1/4" (depending on model selected) in each dimension to insure adequate installation clearance.

PACKAGING

Each louver is individually wrapped to prevent damage. Each package is marked with the respective model and size designation. Multiple unit orders may be shipped in corrugated cartons or wooden crates (on special order).

Due to possible changes in the industry and manufacturing techniques, we reserve the right to modify any product without prior notification.

FIND THE MOST CURRENT PRODUCT INFORMATION AT WWW.AIRLOUVERS.COM

INVERTED V-BLADE LOUVER: 600 SERIES

L1

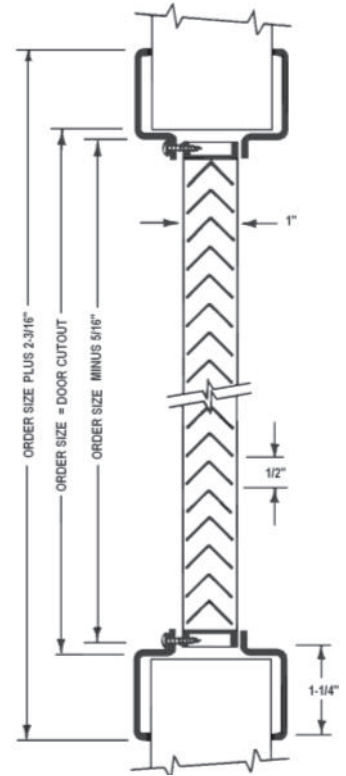
Inverted "V" Blades with 60% Free Area - Recommended for Schools, Class "A" and Institutional Buildings



SPECIFICATIONS:

Material:	20 gauge CRS frame and louvers. Min size 6" x 4", max 24" x 80". Multiple sections can be combined for larger sizes
Construction:	Louvers: Inverted "V" blades with 1/2" blade spacing are attached by interlocking construction to a 1" deep, welded frame. Non-vision. 600A1 Frame: 1-1/4" trim, mitered and welded corners. Screws fasten through frame into louver core, leaving corridor side of frame free of fasteners.
Door:	_____ 1-3/4" - Any Model Door cutout = order size. _____ 1 3/8"-1 3/4" - 600CORE, 600C, 600A
Mounting Options:	_____ Select one mounting option from table below.
Fasteners:	Phillips head screws #8 x 3/4" to match finish.
Powder Coat Finishes:	_____ (B) Mineral Bronze (standard color) _____ (G) Gray _____ (BK) Black _____ (FBK) Flat Black _____ (W) White _____ (SB) SC Beige _____ (SA) Satin Aluminum _____ (S) Sand _____ (AB) AMS Beige _____ (R) Red _____ (GH) Gray Hammertone Color Samples Online
Free Flow Area:	60% free area.

600A1
Photo &
Drawing



SELF-ATTACHING FRAME

OPTIONAL FEATURES AT ADDITIONAL COST:

Finishes & Materials:	_____ (S) 20 gauge stainless steel, #4 finish _____ 16 gauge CRS _____ (G) Galvanized sheet for exterior use and corrosion-resistance _____ (EG) Electro Galvanized for corrosion resistance & exterior use _____ Special order colors. Please provide color chip.
Fasteners:	_____ Torx _____ Hex head _____ Other: _____
Screen:	_____ 18x14 mesh insect screen installed in roll-formed aluminum frame. _____ aluminum _____ bronze _____ fiberglass _____ stainless _____ Bird Screen.
Custom:	Custom sizes, other door thickness, other options; Contact Cust. Service.

DOOR MOUNTING OPTIONS - SELECT ONE	
600A1: Self-attaching, vandal-proof design; basic blade unit with flanged frame welded to face (corridor) side and separate removable flanged frame on opposite side; fits 1-3/4" door only.	
600 CORE: Basic blade unit only; for interior door or as transom louver held in place with wood or metal moulding (furnished by others); fits any size door.	
600C: Basic blade unit with single flanged frame welded to face (corridor) side. Wood or metal moulding (by others) used on opposite side; fits any size door.	
600A: Basic blade unit with flanged frame welded to face (corridor) side and separate flanged frame on opposite side; frame adjustable to fit any door thickness from 1-3/8" to 1-3/4".	

Order Format: 600 _____
Example: 600AS 1212B A,A1,CORE,C Option S,G,EG W H Color

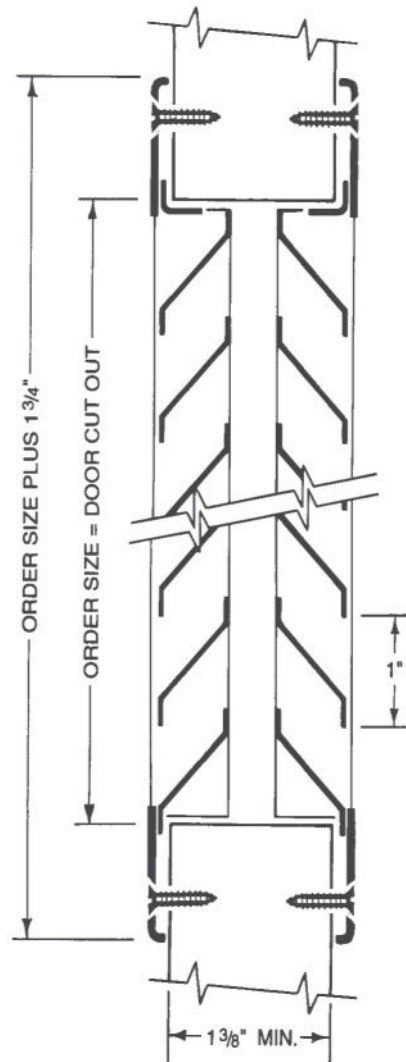
	Distributor: _____	Width: _____ x Height: _____
	Architect: _____	Quantity: _____
	Contractor: _____	Model: _____
	Project: _____	Date: _____ Version: ALPDS1105
800-554-6077 QUOTES@ACTIVARCPG.COM ORDERS@ACTIVARCPG.COM SALES@AIRLOUVERS.COM FAX: 952-835-2218 VISIT WWW.ACTIVARCPG.COM FOR THE MOST UPDATED PRODUCT INFORMATION • AN ACTIVAR CONSTRUCTION PRODUCTS COMPANY MANUFACTURING: COMMERCE CA, BLOOMINGTON, MN • WAREHOUSES: LANCASTER PA, ATLANTA GA, CHICAGO IL, SEATTLE WA		

2 Rows of Inverted, Split "Y" Blades with Two-Piece Design for Wood or Metal Doors



SPECIFICATIONS:

Material:	18 gauge CRS frame and blades. Min size 6" x 4", Max 48" x 80". Multiple sections can be combined for larger sizes	
Construction:	Louvers & Frame: 2 rows of inverted split "Y" blades at 1" intervals are attached by interlocking construction to the 3/4" deep welded frame. 1-1/4" trim, with mitered and welded corners and countersunk mounting holes. Non-vision Construction. Louver frame is screwed into door from 2 sides.	
Door:	Minimum 1-3/8" thick door.	Door cutout = order size.
Fasteners:	Phillips head screws #8 x 3/4" to match finish.	
Powder Coat Finishes:	___ (B) Mineral Bronze ___ (G) Gray (stock colors) ___ (BK) Black ___ (FBK) Flat Black ___ (W) White ___ (SB) SC Beige ___ (SA) Satin Aluminum ___ (S) Sand ___ (AB) AMS Beige ___ (R) Red ___ (GH) Gray Hammertone Color Samples Online	
Free Flow Area:	50% free area.	



OPTIONAL FEATURES AT AN ADDITIONAL COST:

Finishes & Materials:	___ (S) 18 gauge stainless steel, #4 finish ___ 16 gauge CRS. ___ (G) Galvanized sheet for exterior use and corrosion-resistance. ___ (EG) Electro Galvanized for corrosion resistance & exterior use. ___ Special order colors. Please provide color chip.
Screen:	___ 18 x14 mesh insect screen installed with rivets or screws. ___ aluminum ___ bronze ___ fiberglass ___ stainless ___ Bird Screen.
Custom:	Custom sizes, other door thickness, other options; Contact Customer Service.

STOCK ITEM— THIS ITEM IN STOCK FOR NEXT DAY SHIPMENT IN SEVERAL STANDARD SIZES FROM CA WAREHOUSE

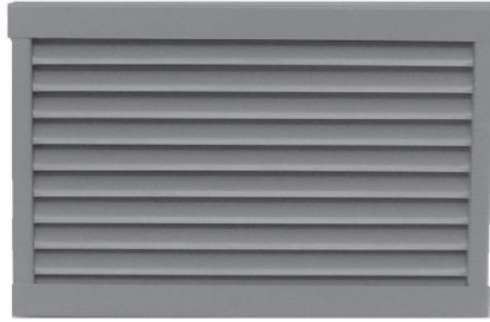
Order Format: 700 _____
Example: 700A 1212B Option S,G,EG W H Color

	Distributor:	Width: _____ x Height: _____
	Architect:	Quantity:
	Contractor:	Model:
	Project:	Date: _____ Version: ALPDS1105
800-554-6077 QUOTES@ACTIVARCPG.COM ORDERS@ACTIVARCPG.COM SALES@AIRLOUVERS.COM Fax: 952-835-2218 VISIT WWW.ACTIVARCPG.COM FOR THE MOST UPDATED PRODUCT INFORMATION • AN ACTIVAR CONSTRUCTION PRODUCTS COMPANY MANUFACTURING: COMMERCE CA, BLOOMINGTON, MN • WAREHOUSES: LANCASTER PA, ATLANTA GA, CHICAGO IL, SEATTLE WA		

FLUSH-MOUNTED LOUVER FOR TRANSOMS: 700TL

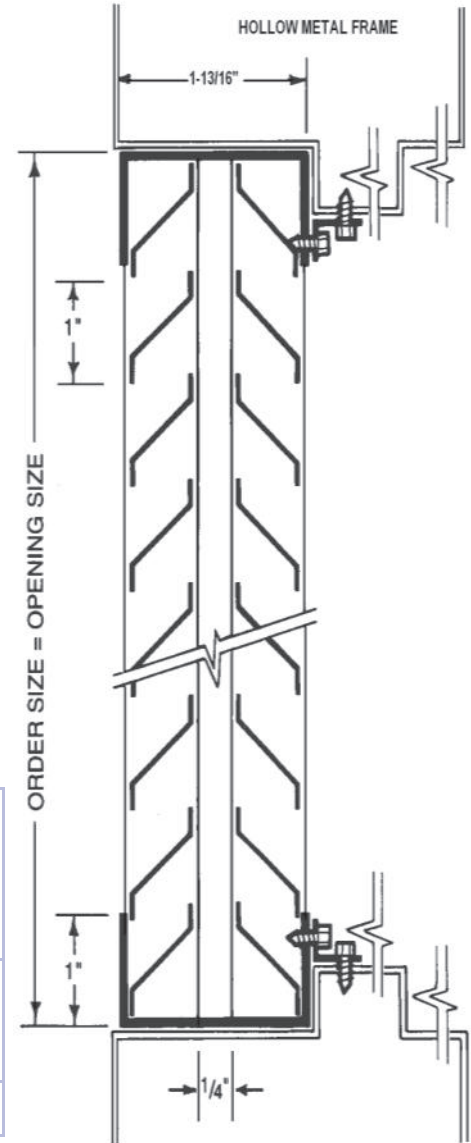
L3

Two Rows of Inverted Split "Y" Blades in a 1-13/16" Frame for Flush Mounting in Hollow Metal Frames.



SPECIFICATIONS:

Material:	18 gauge CRS. Min size 6" x 4", Max 36" x 36". Multiple sections can be combined for larger sizes
Construction:	2 rows of inverted split "Y" blades at 1" intervals. Blades are attached by interlocking construction to the 1-13/16" deep assembly mounted in a "U" channel frame. Non-vision Construction. Multiple sections can be combined for larger transoms.
Frame:	For installation into hollow metal frame by others. Frame inside dimensions of opening = order size.
Fasteners:	Mounting clips furnished with hex head self-drilling tek screw.
Powder Coat Finishes:	<input type="checkbox"/> (BK) Black <input type="checkbox"/> (FBK) Flat Black <input type="checkbox"/> (W) White <input type="checkbox"/> (SB) SC Beige <input type="checkbox"/> (SA) Satin Aluminum <input type="checkbox"/> (R) Red <input type="checkbox"/> (S) Sand <input type="checkbox"/> (AB) AMS Beige <input type="checkbox"/> (GH) Gray Hammertone Color Samples Online
Free Flow Area:	50% free area.



OPTIONAL FEATURES AT AN ADDITIONAL COST:

Finishes & Materials:	<input type="checkbox"/> (S) 20 gauge #4 stainless steel satin finish <input type="checkbox"/> 16 gauge CRS <input type="checkbox"/> (G) Galvanized sheet for exterior use and corrosion-resistance <input type="checkbox"/> (EG) Electro Galvanized for corrosion resistance & exterior use <input type="checkbox"/> Special order colors. Please provide color chip.
Screen:	<input type="checkbox"/> 18x14 mesh insect screen installed with rivets or screws. <input type="checkbox"/> aluminum <input type="checkbox"/> bronze <input type="checkbox"/> fiberglass <input type="checkbox"/> stainless <input type="checkbox"/> Bird Screen.
Custom:	Custom sizes, other door thickness, other options; Contact Customer Service.

Order Format: **700TL** _____ _____ _____
Example: 700TL G1212B Option S,G,EG W H Color

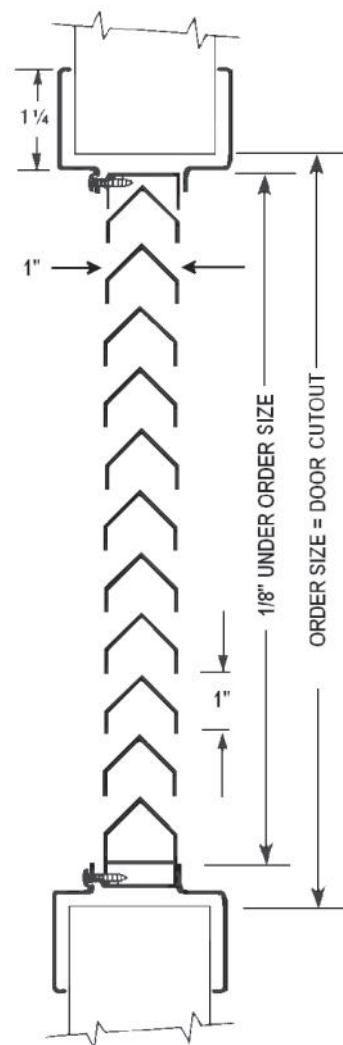
	Distributor:	Width: _____ x Height: _____
	Architect:	Quantity:
	Contractor:	Model:
	Project:	Date: Version: ALPDS1105
800-554-6077 QUOTES@ACTIVARCPG.COM ORDERS@ACTIVARCPG.COM SALES@AIRLOUVERS.COM FAX: 952-835-2218 VISIT WWW.ACTIVARCPG.COM FOR THE MOST UPDATED PRODUCT INFORMATION • AN ACTIVAR CONSTRUCTION PRODUCTS COMPANY MANUFACTURING: COMMERCE CA, BLOOMINGTON, MN • WAREHOUSES: LANCASTER PA, ATLANTA GA, CHICAGO IL, SEATTLE WA		

Inverted "Y" Blades in a Decorative Round Frame



SPECIFICATIONS:

Material:	18 gauge CRS frame and blades.
Construction:	<p>Louvers: Inverted "Y" blades with 1" blade spacing are attached by interlocking construction to the 1" deep, welded frame. Non-vision design.</p> <p>Frame: 1-1/4" Trim, with one welded seam. Screws fasten through frame into louver core, leaving corridor side of frame free of fasteners.</p> <p>___ 800R12 12" Diameter ___ 800R18 18" Diameter ___ 800R24 24" Diameter</p>
Door:	For use in 1-3/4" doors only. Door cutout = order size.
Fasteners:	Phillips head SMS #8 x 3/4" to match finish.
Powder Coat Finishes:	___ (B) Mineral Bronze ___ (G) Gray (Most common stock colors) ___ (BK) Black ___ (FBK) Flat Black ___ (W) White ___ (SB) SC Beige ___ (SA) Satin Aluminum ___ (R) Red ___ (S) Sand ___ (AB) AMS Beige ___ (GH) Gray Hammertone Color Samples Online
Free Flow Area:	50% free area.



OPTIONAL FEATURES AT AN ADDITIONAL COST:

Finishes & Materials:	___ 16 gauge CRS ___ (G) Galvanized sheet for exterior use and corrosion-resistance ___ (EG) Electro Galvanized for corrosion resistance & exterior use ___ Special order colors. Please provide color chip.
Fasteners:	___ Torx ___ Hex head ___ Other: _____
Screen:	___ 18x14 mesh insect screen installed with rivets or screws. ___ aluminum ___ bronze ___ fiberglass ___ Bird Screen.
Custom:	Custom sizes, other door thickness, other options; Contact Customer Service.

Order Format: 800R _____
Example: 800R 18W Option S,G,EG Color

	Distributor: _____	Width: _____ x Height: _____
	Architect: _____	Quantity: _____
	Contractor: _____	Model: _____
	Project: _____	Date: _____ Version: ALPDS1105
800-554-6077 QUOTES@ACTIVARCPG.COM ORDERS@ACTIVARCPG.COM SALES@AIRLOUVERS.COM Fax: 952-835-2218 VISIT WWW.ACTIVARCPG.COM FOR THE MOST UPDATED PRODUCT INFORMATION • AN ACTIVAR CONSTRUCTION PRODUCTS COMPANY MANUFACTURING: COMMERCE CA, BLOOMINGTON, MN • WAREHOUSES: LANCASTER PA, ATLANTA GA, CHICAGO IL, SEATTLE WA		

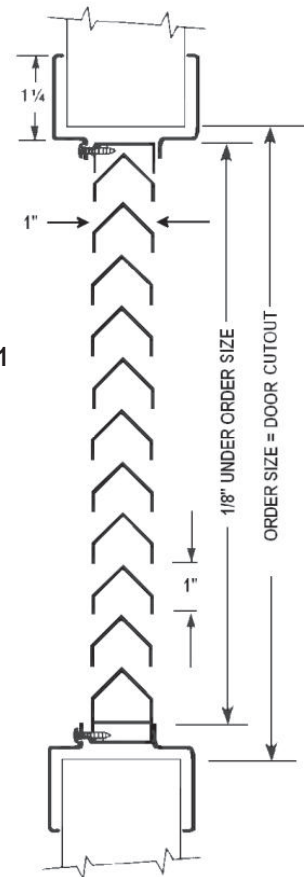
INVERTED Y-BLADE LOUVER: 800 SERIES REV A

L5

Inverted "Y" Blades Recommended for Schools, Class "A" and Institutional Buildings.



800A1 in Optional Stainless Steel Finish



SPECIFICATIONS:

Material:	18 gauge CRS frame and 20 gauge blades. Min size 6" x 4", Max 48" x 80". Multiple sections can be combined for larger sizes	
Construction:	Louvers: Inverted "Y" blades with 1" blade spacing are attached by interlocking construction to the 1" deep, welded frame. Non-vision. 800A1 Frame: 1-1/4" trim, mitered and welded corners. Screws fasten through frame into louver core, leaving corridor side of frame free of fasteners.	
Door:	<input type="checkbox"/> 1-3/4" Any Style. <input type="checkbox"/> 1 3/8"-1 3/4" - 800CORE, 800C, 800A.	Door cutout = order size.
Mounting Options:	<input type="checkbox"/> Select one mounting option from table below.	
Fasteners:	Phillips head screws #8 x 3/4" to match finish.	
Powder Coat Finishes:	<input type="checkbox"/> (B) Mineral Bronze (std color) <input type="checkbox"/> (BK) Black <input type="checkbox"/> (FBK) Flat Black <input type="checkbox"/> (SA) Satin Aluminum <input type="checkbox"/> (SB) SC Beige <input type="checkbox"/> (GH) Gray Hammertone <input type="checkbox"/> (S) Sand <input type="checkbox"/> (AB) AMS Beige <input type="checkbox"/> (G) Gray (A1 stock color) <input type="checkbox"/> (W) White <input type="checkbox"/> (R) Red Color Samples Online.	
Free Flow Area:	50% free area.	

OPTIONAL FEATURES AT AN ADDITIONAL COST:

Finishes & Materials:	<input type="checkbox"/> (S) 18 gauge frame and 20 gauge stainless steel, #4 finish <input type="checkbox"/> 16 gauge CRS <input type="checkbox"/> (G) Galvanized sheet for exterior use and corrosion-resistance <input type="checkbox"/> (EG) Electro Galvanized for corrosion resistance & exterior use <input type="checkbox"/> Special order colors. Please provide color chip.
Fasteners:	<input type="checkbox"/> Torx <input type="checkbox"/> Hex head <input type="checkbox"/> Other: _____
Screen:	<input type="checkbox"/> 18x14 mesh insect screen installed in roll-formed aluminum frame <input type="checkbox"/> aluminum <input type="checkbox"/> bronze <input type="checkbox"/> fiberglass <input type="checkbox"/> stainless <input type="checkbox"/> Bird Screen.
Custom:	Custom sizes, other door thickness, other options; Contact Customer Service.

STOCK ITEM— 800A1 IN STOCK FOR NEXT DAY SHIPMENT IN SEVERAL STANDARD SIZES FROM MOST WAREHOUSES

Order Format: 800 _____
Example: 800A1 1212S A,A1,CORE,C Option S,G,EG W H Color

DOOR MOUNTING OPTIONS - SELECT ONE	
800A1: Self-attaching, vandal-proof design; basic blade unit with flanged frame welded to face (corridor) side and separate removable flanged frame on opposite side; fits 1-3/4" door only.	
800CORE: Basic blade unit only; for interior door or as transom louver held in place with wood or metal moulding (furnished by others); any size door.	
800C: Basic blade unit with single flanged frame welded to face (corridor) side. Wood or metal moulding (by others) used on opposite side; fits any size door.	
800A: Basic blade unit with flanged frame welded to face (corridor) side and separate flanged frame on opposite side; frame adjustable to fit any door thickness from 1-3/8" to 1-3/4".	

	Distributor: _____	Width: _____ x Height: _____
	Architect: _____	Quantity: _____
	Contractor: _____	Model: _____
	Project: _____	Date: _____ Version: ALPDS1105
800-554-6077 QUOTES@ACTIVARCPG.COM ORDERS@ACTIVARCPG.COM SALES@AIRLOUVERS.COM FAX: 952-835-2218 VISIT WWW.ACTIVARCPG.COM FOR THE MOST UPDATED PRODUCT INFORMATION • AN ACTIVAR CONSTRUCTION PRODUCTS COMPANY MANUFACTURING: COMMERCE CA, BLOOMINGTON, MN • WAREHOUSES: LANCASTER PA, ATLANTA GA, CHICAGO IL, SEATTLE WA		

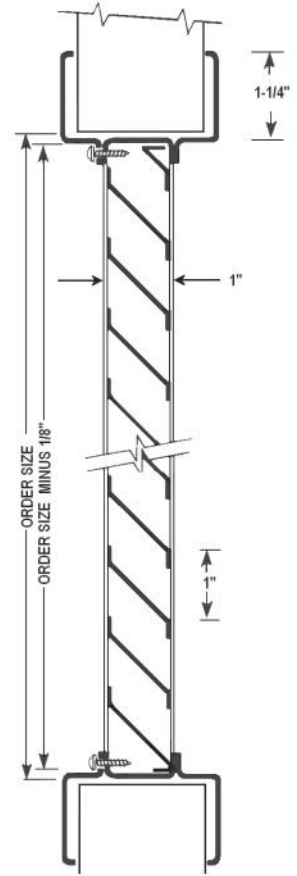
Standard "Z" Blades Recommended for Schools, Class "A" and Institutional Buildings.



SPECIFICATIONS:

Material:	18 gauge CRS frame and blades. Min size 6" x 4", Max 48" x 80". Multiple sections can be combined for larger sizes
Construction:	Louvers: "Z" blades with 1" blade spacing are attached by interlocking construction to the 1" deep, welded frame. Non-vision. 900A1 Frame: 1-1/4" trim, mitered and welded corners. Screws fasten through frame into louver core, leaving corridor side of frame free of fasteners.
Door:	_____ 1-3/4" - A1 Style. Door cutout = order size. _____ 1 3/8"-1 3/4" - 900CORE, 900C, 900A
Mounting Options:	_____ Select one mounting option from table below.
Fasteners:	Phillips head screws #8 x 3/4" to match finish.
Powder Coat Finishes:	_____ (B) Mineral Bronze (standard color) _____ (G) Gray _____ (BK) Black _____ (FBK) Flat Black _____ (W) White _____ (SB) SC Beige _____ (SA) Satin Aluminum _____ (S) Sand _____ (AB) AMS Beige _____ (R) Red _____ (GH) Gray Hammetone Color Samples Online
Free Flow Area:	43% free area.

900A1 Mounting Option Shown Photo & Drawing



OPTIONAL FEATURES AT AN ADDITIONAL COST:

Finishes & Materials:	_____ (S) 18 gauge stainless steel, #4 finish _____ 16 gauge Cold Rolled Steel _____ (G) Galvanized sheet for exterior use and corrosion-resistance _____ (EG) Electro Galvanized for corrosion resistance & exterior use _____ Special order colors. Please provide color chip.
Fasteners:	_____ Torx _____ Hex head _____ Other: _____
Screen:	_____ 18x14 mesh insect screen installed in roll-formed aluminum frame _____ aluminum _____ bronze _____ fiberglass _____ stainless _____ Bird Screen.
Custom:	Custom sizes, other door thickness, other options; Contact Customer Service.

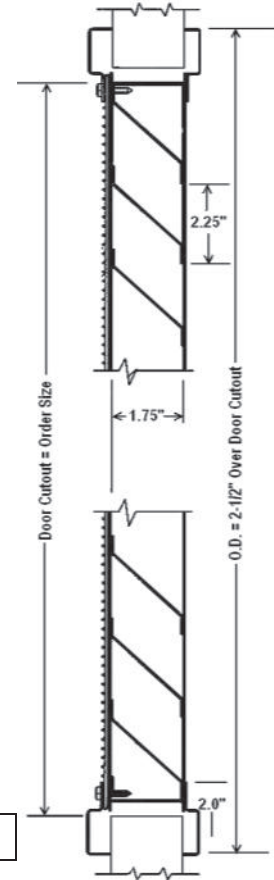
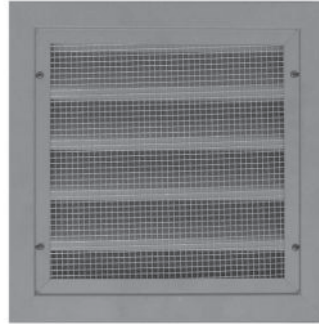
Order Format: 900 _____
Example: 900C 1212AB A,A1,CORE,C Option S,G,EG W H Color

DOOR MOUNTING OPTIONS - SELECT ONE	
900A1: Self-attaching, vandal-proof design; basic blade unit with flanged frame welded to face (corridor) side and separate removable flanged frame on opposite side; fits 1-3/4" door only.	
900CORE: Basic blade unit only; for interior door or as transom louver held in place with wood or metal moulding (furnished by others); any door size.	
900C: Basic blade unit with single flanged frame welded to face (corridor) side. Wood or metal moulding (by others) used on opposite side; fits any size door.	
900A: Basic blade unit with flanged frame welded to face (corridor) side and separate flanged frame on opposite side; frame adjustable to fit any door thickness from 1-3/8" to 1-3/4".	

	Distributor: _____	Width: _____ x Height: _____
	Architect: _____	Quantity: _____
	Contractor: _____	Model: _____
	Project: _____	Date: _____ Version: ALPDS1105
800-554-6077 QUOTES@ACTIVARCPG.COM ORDERS@ACTIVARCPG.COM SALES@AIRLOUVERS.COM FAX: 952-835-2218 VISIT WWW.ACTIVARCPG.COM FOR THE MOST UPDATED PRODUCT INFORMATION • AN ACTIVAR CONSTRUCTION PRODUCTS COMPANY MANUFACTURING: COMMERCE CA, BLOOMINGTON, MN • WAREHOUSES: LANCASTER PA, ATLANTA GA, CHICAGO IL, SEATTLE WA		



Exterior "Z" Louver with Bird Screen and Galvanized Construction For Exterior Applications



SPECIFICATIONS:

Material:	20 gauge frame and 18 gauge blades are galvanized sheet metal for maximum weather resistance for exterior applications. Multiple sections can be combined for larger sizes
Construction:	Louvers: "Z" blades with 1" blade spacing are attached by interlocking construction to the 1" deep, welded frame. Non-vision. Frame: 2" trim, mitered and welded corners. Screws fasten through frame into louver core, leaving exterior side of frame free of fasteners.
Door:	1-3/4" Doors. Door cutout = order size.
Fasteners:	Phillips head screws #8 x 3/4" to match finish.
Finish:	Powder coat gray primer.
Free Flow Area:	50% free area.
Screens:	Bird Screen Standard on interior side of louver. 18x14 galvanized mesh insect screen installed in removable frame.

Screen Side

OPTIONAL FEATURES AT AN ADDITIONAL COST:

Finishes & Materials:	<input type="checkbox"/> (S) 18 gauge stainless steel, #4 finish <input type="checkbox"/> (CRS) 16 gauge CRS <input type="checkbox"/> Special order colors. Please provide color chip.
Fasteners:	<input type="checkbox"/> Torx <input type="checkbox"/> Hex head <input type="checkbox"/> Other: _____
Screen:	<input type="checkbox"/> 18x14 mesh insect screen installed with rivets or screws. <input type="checkbox"/> aluminum <input type="checkbox"/> bronze <input type="checkbox"/> fiberglass <input type="checkbox"/> stainless
Custom Size:	<input type="checkbox"/> Width: _____ x Height: _____ (To be quoted by customer service)

Standard Sizes Rough Opening Width x Height	
Size	Size
12" x 12"	24" x 60"
12" x 18"	24" x 64"
18" x 12"	24" x 72"
15" x 80"	24" x 80"
18" x 60"	36" x 60"
18" x 64"	36" x 64"
18" x 72"	36" x 72"
20" x 64"	36" x 76"
20" x 80"	36" x 84"
24" x 24"	

Order Format: 900FPL _____

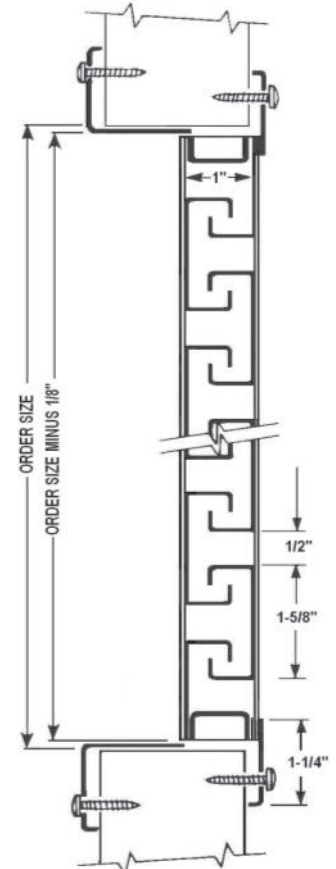
Example: 900FPL 1864 Option S,CRS W H Color

	Distributor:	Width: _____ x Height: _____
	Architect:	Quantity:
	Contractor:	Model:
	Project:	Date: Version: ALPDS1105
800-554-6077 QUOTES@ACTIVARCPG.COM ORDERS@ACTIVARCPG.COM SALES@AIRLOUVERS.COM FAX: 952-835-2218 VISIT WWW.ACTIVARCPG.COM FOR THE MOST UPDATED PRODUCT INFORMATION • AN ACTIVAR CONSTRUCTION PRODUCTS COMPANY MANUFACTURING: COMMERCE CA, BLOOMINGTON, MN • WAREHOUSES: LANCASTER PA, ATLANTA GA, CHICAGO IL, SEATTLE WA		

Lightproof Overlapping Channel Blades for Darkrooms, X-Ray Rooms, Media Rooms.



1000A
Photo &
Drawing



SPECIFICATIONS:

Material:	18 gauge CRS frame and louver blades. Min size 8" x 6", Max 50" x 70". Multiple sections can be combined for larger sizes
Construction:	Louvers: Overlapping blades with 1/2" blade spacing are attached by interlocking construction to the 1" deep, welded frame. 1000A Frame: 1-1/4" trim, mitered and welded corners. Louver frame is screwed into door from 2 sides.
Door:	____ 1 3/8"-1 3/4" - Any Style. Door cutout = order size
Mounting Options:	____ Select one mounting option from table below.
Fasteners:	Phillips head screws #8 x 3/4" to match finish.
Finish:	Non-Reflective black.
Free Flow Area:	20% free area.

OPTIONAL FEATURES AT AN ADDITIONAL COST:

Finishes & Materials:	____ Leadlined for radiation containment.
Custom:	Custom sizes, other door thickness, other options; Contact Customer Service.

Order Format:	1000	____	____	____
Example:	1000CORE 1212	A,CORE,C	W	H

DOOR MOUNTING OPTIONS - SELECT ONE	
<p>1000A: Basic blade unit with flanged frame welded to face (corridor) side and separate flanged frame on opposite side; frame adjustable to fit any door thickness from 1-3/8" to 1-3/4"</p>	
<p>1000 CORE: Basic blade unit only; for interior door or as transom louver held in place with wood or metal moulding (by others); any door size.</p>	
<p>1000C: Basic blade unit with single flanged frame welded to face (corridor) side. Wood or metal moulding (by others) used on opposite side; fits any size door.</p>	

	Distributor:	Width: ____ x Height: ____
	Architect:	Quantity:
	Contractor:	Model:
	Project:	Date: Version: ALPDS1105
800-554-6077 QUOTES@ACTIVARCPG.COM ORDERS@ACTIVARCPG.COM SALES@AIRLOUVERS.COM Fax: 952-835-2218 VISIT WWW.ACTIVARCPG.COM FOR THE MOST UPDATED PRODUCT INFORMATION • AN ACTIVAR CONSTRUCTION PRODUCTS COMPANY MANUFACTURING: COMMERCE CA, BLOOMINGTON, MN • WAREHOUSES: LANCASTER PA, ATLANTA GA, CHICAGO IL, SEATTLE WA		

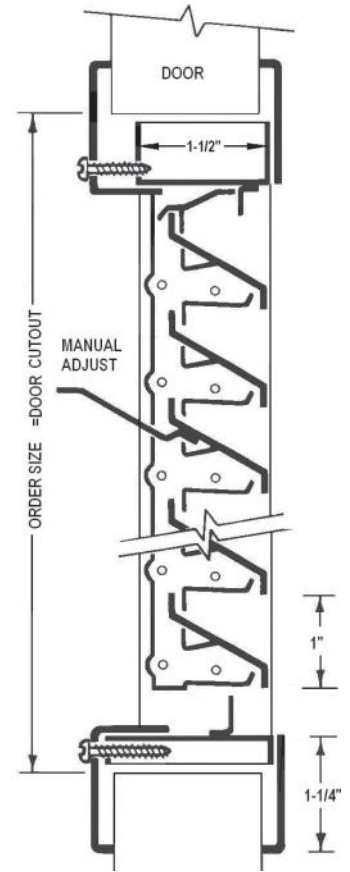
ADJUSTABLE Z-BLADE LOUVER: 1100 SERIES

L9

Manually-Operated Adjustable Louver for Doors, Transoms and Partitions



1100A
Photo &
Drawing



SPECIFICATIONS:

Material:	16 gauge CRS frame and louver. Min size 8" x 6", Max 24" x 30". Multiple sections can be combined for larger sizes
Construction:	Louver: Z-blades riveted to operating bar and frame at 1" intervals in 1-1/2" deep welded frame. Mechanical stop holds blades open. 1100A Frame: Mitered and welded corners; screws fastened through prepared frame into louver core leaving corridor side of frame free of fasteners. CORE & 1100C: 1/2" stop on top, 1/4" on bottom and 3/8" on sides.
Operation:	Manually-adjustable on interior face unless otherwise specified.
Door:	_____ 1-3/8"-1 3/4" - Any Style. Door cutout = order size.
Mounting Options:	_____ Select one mounting option from table below.
Fasteners:	Phillips head screws #8 x 3/4" to match finish.
Powder Coat Finishes:	_____ (B) Mineral Bronze (standard color) _____ (G) Gray _____ (BK) Black _____ (FBK) Flat Black _____ (W) White _____ (SB) SC Beige _____ (SA) Satin Aluminum _____ (S) Sand _____ (AB) AMS Beige _____ (R) Red _____ (GH) Gray Hammertone Color Samples Online
Free Flow Area:	45% free area.

OPTIONAL FEATURES AT AN ADDITIONAL COST:

Finishes & Materials:	_____ (S) 18 gauge stainless steel, #4 finish _____ (EG) Electro Galvanized for corrosion resistance & exterior use _____ Special order colors. Please provide color chip.
Fasteners:	_____ Torx _____ Hex head _____ Other: _____
Screen:	_____ 18x14 mesh insect screen installed in roll formed aluminum frame. _____ aluminum _____ bronze _____ fiberglass _____ stainless
Custom:	Custom sizes, other door thickness, other options; Contact Customer Service.

Order Format: 1100 _____
Example: 1100A 1212R A,CORE,C Option S,EG W H Color

DOOR MOUNTING OPTIONS - SELECT ONE	
1100A: Self-attaching, blade unit with flanged frame welded to face (corridor) side and separate removable flanged frame on opposite side: frame adjustable to fit any door thickness from 1-3/8" to 1-3/4".	
1100 CORE: Basic blade unit only; for interior door or as transom louver held in place with wood or metal moulding (by others); any door size.	
1100C: Basic blade unit with single flanged frame welded to face (corridor) side. Wood or metal moulding (by others) used on opposite side; fits any size door	

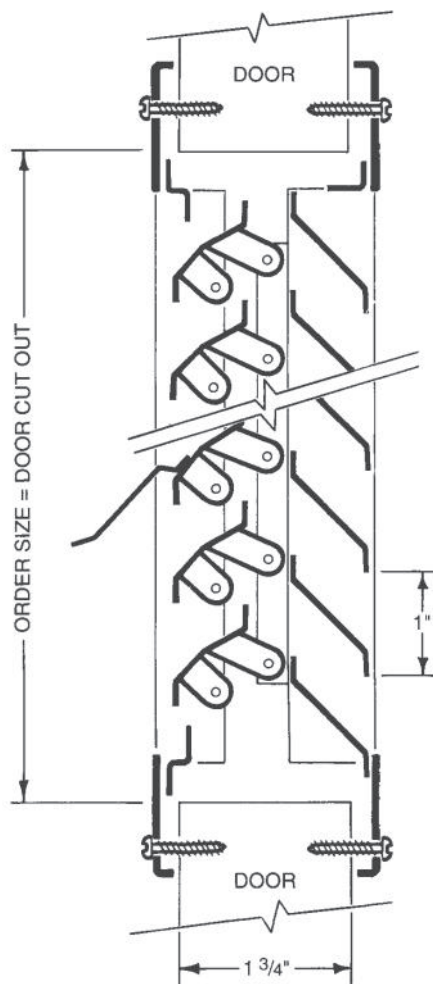
	Distributor: _____	Width: _____ x Height: _____
	Architect: _____	Quantity: _____
	Contractor: _____	Model: _____
	Project: _____	Date: _____ Version: ALPDS1105
800-554-6077 QUOTES@ACTIVARCPG.COM ORDERS@ACTIVARCPG.COM SALES@AIRLOUVERS.COM Fax: 952-835-2218 VISIT WWW.ACTIVARCPG.COM FOR THE MOST UPDATED PRODUCT INFORMATION • AN ACTIVAR CONSTRUCTION PRODUCTS COMPANY MANUFACTURING: COMMERCE CA, BLOOMINGTON, MN • WAREHOUSES: LANCASTER PA, ATLANTA GA, CHICAGO IL, SEATTLE WA		

Twin "Z" Blades— Recommended for Applications Where Both Non-Vision and Adjustable Design is Required in a Tandem Unit



SPECIFICATIONS:

Material:	18 gauge CRS frame and louver blades. Min size 10" x 6", Max 24" x 36". Multiple sections can be combined for larger sizes
Construction:	Louver: Two Z-blade sections - The adjustable side is riveted to operating bar and frame at 1" intervals, the fixed side is attached by interlocking construction to the frame. Frame: Mitered and welded corners. Louver frame is screwed into door from 2 sides.
Operation:	Manually-adjustable on interior face unless otherwise specified.
Door:	1-3/4" minimum thickness door. Door cutout = order size.
Fasteners:	Countersunk mounting holes with #8 x 3/4" Phillips flathead screws to match finish.
Powder Coat Finishes:	___ (B) Mineral Bronze (standard color) ___ (G) Gray ___ (BK) Black ___ (FBK) Flat Black ___ (W) White ___ (SB) SC Beige ___ (SA) Satin Aluminum ___ (S) Sand ___ (AB) AMS Beige ___ (R) Red ___ (GH) Gray Hammertone Color Samples Online
Free Flow Area:	43% free area.



OPTIONAL FEATURES AT AN ADDITIONAL COST:

Finishes & Materials:	___ (S) 20 gauge stainless steel, #4 finish ___ (EG) Electro Galvanized for corrosion resistance & exterior use ___ ___ Special order colors. Please provide color chip.
Fasteners:	___ #8-32 Phillips flathead machine screw thru-bolted to #8-32 binder bolt with blank head on corridor side of frame for tamper-proof installations.
Screen:	___ 18x14 mesh insect screen installed with rivets or screws. ___ aluminum ___ bronze ___ fiberglass ___ stainless ___ Bird Screen.
Custom:	Custom sizes, other door thickness, other options; Contact Customer Service.

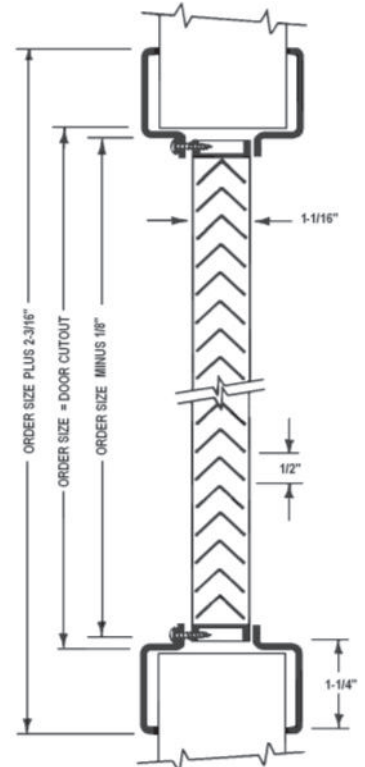
Order Format: 1200A ___ ___ ___ ___
Example: 1200A 1227B Option S,EG W H Color

	Distributor:	Width: ___ x Height: ___
	Architect:	Quantity:
	Contractor:	Model:
	Project:	Date: Version: ALPDS1105
800-554-6077 QUOTES@ACTIVARCPG.COM ORDERS@ACTIVARCPG.COM SALES@AIRLOUVERS.COM FAX: 952-835-2218 VISIT WWW.ACTIVARCPG.COM FOR THE MOST UPDATED PRODUCT INFORMATION • AN ACTIVAR CONSTRUCTION PRODUCTS COMPANY MANUFACTURING: COMMERCE CA, BLOOMINGTON, MN • WAREHOUSES: LANCASTER PA, ATLANTA GA, CHICAGO IL, SEATTLE WA		

Inverted "V" With 60% Free Area Recommended for Buildings Where All-Aluminum Construction is Desired, or for Humid Environments



1300A1
Photo &
Drawing



SPECIFICATIONS:

Material:	Formed from .050 aluminum. Min size 6" x 4", Max 24" x 80". Multiple sections can be combined for larger sizes
Construction:	Louvers: "V" blades with 1/2" blade spacing are attached by interlocking construction to the 1-1/16" deep, welded frame. Frame: 1-1/4" trim, mitered and welded corners. Screws fasten through frame into louver core, leaving corridor side of frame free of fasteners.
Door:	_____ 1-3/4" - Any Style. Door cutout = order size. _____ 1 3/8"-1 3/4" - 1300CORE, 1300C, 1300A
Mounting Options:	_____ Select one mounting option from table below.
Fasteners:	#8 x 3/4" Phillips head screws to match finish.
Powder Coat Finishes:	_____ (SA) Satin Aluminum Standard _____ (B) Mineral Bronze _____ (G) Gray _____ (BK) Black _____ (FBK) Flat Black _____ (W) White _____ (SB) SC Beige _____ (R) Red _____ (S) Sand _____ (AB) AMS Beige _____ (GH) Gray Hammertone. Color Samples Online
Fasteners:	#8 x 3/4" Phillips head screws.
Free Flow Area:	60% free area.

OPTIONAL FEATURES AT AN ADDITIONAL COST:

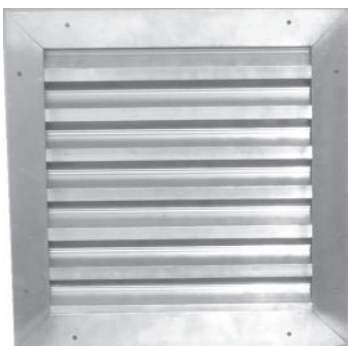
Finish:	_____ Special order colors. Please provide color chip.
Fasteners:	_____ Torx _____ Hex head _____ Other: _____
Screen:	_____ 18x14 mesh insect screen installed in roll formed aluminum frame. _____ aluminum _____ bronze _____ fiberglass _____ stainless _____ Bird Screen.
Custom:	Custom sizes, other door thickness, other options; Contact Customer Service.

Order Format:	1300	_____	_____	_____
Example: 1300A1 1212	A,A1,CORE,C	W	H	Optional Color

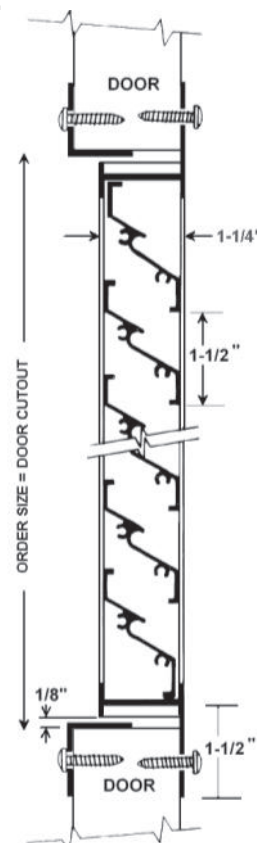
DOOR MOUNTING OPTIONS - SELECT ONE	
1300A1: Self-attaching, vandal-proof design; basic blade unit with flanged frame welded to face (corridor) side and separate removable flanged frame on opposite side; fits 1-3/4" thick doors only.	
1300 CORE : Basic blade unit only for interior doors; or as transom louver held in place with wood or metal moulding (by others); any door size.	
1300C: Basic blade unit with single flanged frame welded to face (corridor) side. Wood or metal moulding (by others) used on opposite side; fits any size door.	
1300A: Basic blade unit with flanged frame welded to face (corridor) side and separate flanged frame on opposite side; frame adjustable to fit any door thickness from 1-3/8" to 1-3/4".	

	Distributor:	Width: _____ x Height: _____
	Architect:	Quantity:
	Contractor:	Model:
	Project:	Date: _____ Version: ALPDS1105
800-554-6077 QUOTES@ACTIVARCPG.COM ORDERS@ACTIVARCPG.COM SALES@AIRLOUVERS.COM FAX: 952-835-2218 VISIT WWW.ACTIVARCPG.COM FOR THE MOST UPDATED PRODUCT INFORMATION • AN ACTIVAR CONSTRUCTION PRODUCTS COMPANY MANUFACTURING: COMMERCE CA, BLOOMINGTON, MN • WAREHOUSES: LANCASTER PA, ATLANTA GA, CHICAGO IL, SEATTLE WA		

Stormproof Aluminum "Z" Blades Incorporate a Water Baffle, Suitable for Exterior Applications Where Weather Protection is Required. Available with Insect or Bird Screen.



1400A
Mounting
Shown in
Photo and
Drawing



SPECIFICATIONS:

Material:	.063" thick 6063-T5 extruded aluminum. Min size 8" x 8", Max 36" x 80". Multiple sections can be combined for larger sizes
Construction:	Louver: "Z" blades with water baffle at 1-1/2" intervals are screwed into the 1-1/4" deep frame. Non-vision design. 1400A Frame: 1/2" trim with reinforced mitered corners. Louver frame is screwed into door from 2 sides.
Door:	_____ 1 3/8"-1 3/4" - Any Style. Door cutout = order size.
Mounting Options:	_____ Select one mounting option from table below.
Fasteners:	#8 x 3/4" Phillips head screws to match finish.
Finish:	Mill finish aluminum.
Free Flow Area:	35% free area.

OPTIONAL FEATURES AT AN ADDITIONAL COST:

Finish:	_____ Bronze or clear anodized. _____ Special order colors. Please provide color chip.
Fasteners:	_____ Torx _____ Hex head _____ Other: _____
Screen:	_____ 18x14 mesh insect screen installed in roll-formed aluminum frame. _____ aluminum _____ bronze _____ fiberglass _____ stainless _____ Bird Screen.
Custom:	Custom sizes, other door thickness, other options; Contact Customer Service.

Order Format:	1400 _____
Example: 1400C 1212	A,CORE,C _____ W _____ H _____

DOOR MOUNTING OPTIONS - SELECT ONE

1400A: (Shown Above) Basic blade unit with flanged frame welded to face (corridor) side and separate removable flanged frame on opposite side; frame adjustable to fit any door thickness from 1-3/8" to 1-3/4".	
1400 CORE: Basic blade unit only; for interior doors; or as transom louver held in place with wood or metal moulding (furnished by others); any door size.	
1400C: Basic blade unit with single flanged frame welded to face (corridor) side. Wood or metal moulding (by others) used on opposite side; fits any size door.	

	Distributor: _____	Width: _____ x Height: _____
	Architect: _____	Quantity: _____
	Contractor: _____	Model: _____
	Project: _____	Date: _____ Version: ALPDS1105
800-554-6077 QUOTES@ACTIVARCPG.COM ORDERS@ACTIVARCPG.COM SALES@AIRLOUVERS.COM FAX: 952-835-2218 VISIT WWW.ACTIVARCPG.COM FOR THE MOST UPDATED PRODUCT INFORMATION • AN ACTIVAR CONSTRUCTION PRODUCTS COMPANY MANUFACTURING: COMMERCE CA, BLOOMINGTON, MN • WAREHOUSES: LANCASTER PA, ATLANTA GA, CHICAGO IL, SEATTLE WA		

1500A LOUVER WITH SECURITY GRILLE: 1500A

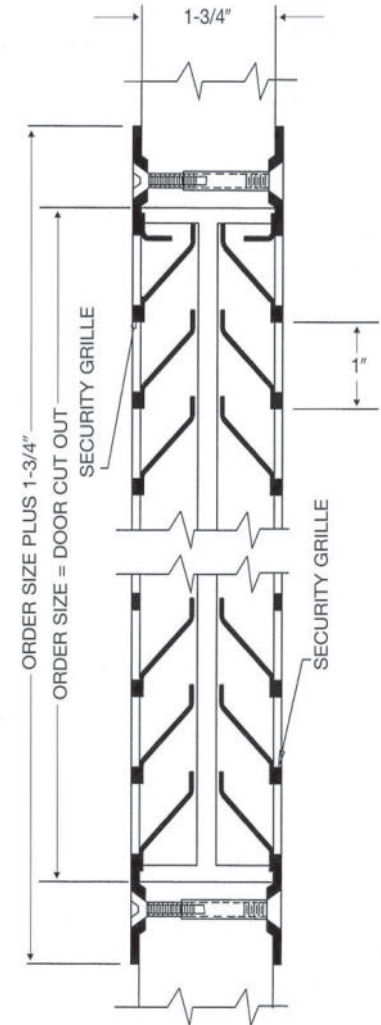
L13

Inverted, Split "Y" Blades with 12 Gauge Security Grille. Two-Piece Thru-bolt Louver Design
Recommended for Vandal-Proof Building Design.



SPECIFICATIONS:

Material:	18 gauge CRS frame and blades; 12 gauge CRS security grille. Min size 6" x 6", Max 36" x 80". Multiple sections can be combined for larger sizes
Construction:	Louvers: 2 rows of Inverted, split "Y" blades with 1" blade spacing are attached to welded frame with by interlocking construction. Non-vision. Security Frame: Security grille is welded to on interior and exterior of louver with 13/16" square openings 1" on center. Thru-bolted to door.
Door:	1-3/4" Doors. Door cutout = order size.
Fasteners:	#8 x 32 Phillips head thru-bolts with blank head one side to match finish.
Powder Coat Finishes:	<input type="checkbox"/> (B) Mineral Bronze (standard color) <input type="checkbox"/> (G) Gray <input type="checkbox"/> (BK) Black <input type="checkbox"/> (FBK) Flat Black <input type="checkbox"/> (W) White <input type="checkbox"/> (SB) SC Beige <input type="checkbox"/> (SA) Satin Aluminum <input type="checkbox"/> (S) Sand <input type="checkbox"/> (AB) AMS Beige <input type="checkbox"/> (R) Red <input type="checkbox"/> (GH) Gray Hammertone Color Samples Online
Free Flow Area:	40% free area.



OPTIONAL FEATURES AT AN ADDITIONAL COST:

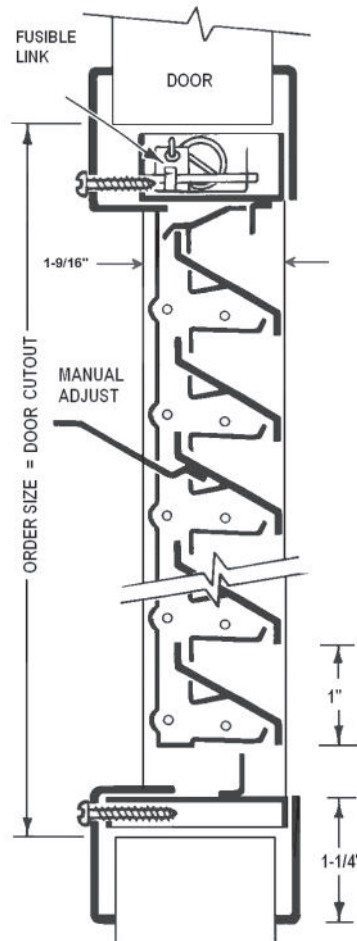
Finishes & Materials:	<input type="checkbox"/> (S) 20 gauge stainless steel—#4 finish. <input type="checkbox"/> (G) Galvanized Sheet for exterior use. <input type="checkbox"/> (EG) Electro Zinc Plating for Maximum Corrosion Resist. <input type="checkbox"/> 16 gauge CRS blade and 10 gauge security grille. <input type="checkbox"/> Special order colors. Please provide color chip.
Fasteners:	<input type="checkbox"/> Torx <input type="checkbox"/> Hex head <input type="checkbox"/> Other: _____
Screen:	<input type="checkbox"/> 18x14 mesh insect screen installed with rivets or screws. <input type="checkbox"/> aluminum <input type="checkbox"/> bronze <input type="checkbox"/> fiberglass <input type="checkbox"/> stainless <input type="checkbox"/> Bird Screen.
Custom:	Custom sizes, other door thickness, other options; Contact Customer Service.

Order Format: 1500A _____
Example: 1500ASG 1212B Option S,G,EG W H Color

	Distributor:	Width: _____ x Height: _____
	Architect:	Quantity:
	Contractor:	Model:
	Project:	Date: _____ Version: ALPDS1105
800-554-6077 QUOTES@ACTIVARCPG.COM ORDERS@ACTIVARCPG.COM SALES@AIRLOUVERS.COM Fax: 952-835-2218 VISIT WWW.ACTIVARCPG.COM FOR THE MOST UPDATED PRODUCT INFORMATION • AN ACTIVAR CONSTRUCTION PRODUCTS COMPANY MANUFACTURING: COMMERCE CA, BLOOMINGTON, MN • WAREHOUSES: LANCASTER PA, ATLANTA GA, CHICAGO IL, SEATTLE WA		



This Adjustable Z-Blade Louver with Fusible Link is Ideal for Use in Fire Doors up to 1-1/2 Hour Rating. Ideal for Installation in Existing Door Cutouts.



SELF-ATTACHING FRAME



SPECIFICATIONS:

Material:	16 gauge CRS frame and louver blades. Min size 10" x 6", Max 24" x 24".	
Construction:	Louver: Z-blade louvers riveted to operating bar and frame at 1" intervals to welded 1-9/16" deep frame. Mechanical stop holds blades open. Frame: Mitered and welded corners; screws fastened through prepared frame into louver core leaving corridor side of frame free of fasteners.	
Operation:	Adjustable blades of 16 gauge CRS pivot on cadmium-plated steel rivets. The blades are operated by a manual adjusting lever. A spring loaded fusible link mechanism is incorporated into the design. Upon melting of the link, the action bar is actuated, thereby closing and locking all of the blades.	
Door :	For 1-3/4" door.	Door cutout = order size.
Fasteners:	#8 x 3/4" Phillips flathead screws to match finish.	
Powder Coat Finishes:	___ (B) Mineral Bronze (standard color) ___ (G) Gray ___ (BK) Black ___ (FBK) Flat Black ___ (W) White ___ (SB) SC Beige ___ (SA) Satin Aluminum ___ (S) Sand ___ (AB) AMS Beige ___ (R) Red ___ (GH) Gray Hammertone Color Samples Online	
Free Flow Area:	45% free area.	

OPTIONAL FEATURES AT AN ADDITIONAL COST:

Finishes & Materials:	___ (S) 18 gauge stainless steel—#4 finish. ___ (EG) Electro Galvanized for corrosion resistance & exterior use. ___ Special order colors. Please provide color chip.
Fasteners:	___ Torx ___ Hex head ___ Other: _____
Screen:	___ Insect or Bird Screen.
Custom:	Custom sizes, other door thickness. Contact Customer Service.

Order Format:	1900A _____
Example: 1900A 1212SA	Option S,EG W H Color

LISTINGS & RATINGS:

Fire Ratings with UL & WHI Classification Marks

Model 1900A is Rated for use in fire doors up to 1-1/2 hour rating. Louver size shall not exceed maximum of 576 sq. inches, 24"W and 24" H. The minimum width and height shall not be less than 10" and 6", respectively. Louvers may be provided for classified hollow metal type and composite type fire doors. Consult with the Local Authority Having Jurisdiction (AHJ) to determine appropriate standards. Louver frame will be labeled with Listing mark.

STOCK ITEM— SEVERAL SIZES OF 1900A IN STOCK FOR NEXT DAY SHIPMENT FROM ONE OF OUR WAREHOUSES

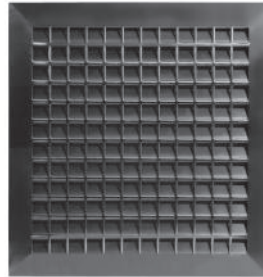
	Distributor: _____	Width: _____ x Height: _____
	Architect: _____	Quantity: _____
	Contractor: _____	Model: _____
	Project: _____	Date: _____ Version: ALPDS1105
800-554-6077 QUOTES@ACTIVARCPG.COM ORDERS@ACTIVARCPG.COM SALES@AIRLOUVERS.COM FAX: 952-835-2218 VISIT WWW.ACTIVARCPG.COM FOR THE MOST UPDATED PRODUCT INFORMATION • AN ACTIVAR CONSTRUCTION PRODUCTS COMPANY MANUFACTURING: COMMERCE CA, BLOOMINGTON, MN • WAREHOUSES: LANCASTER PA, ATLANTA GA, CHICAGO IL, SEATTLE WA		

FIRE-RATED 1900 LOUVER WITH SECURITY GRILLE: 1900ASG



L15

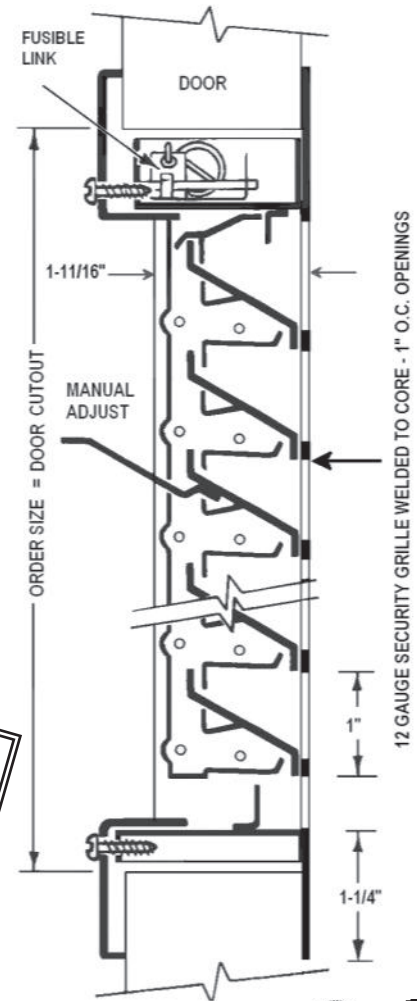
Door Louver with Fusible Link is Listed by UL and WHI and is Ideal for Use in Fire Doors up to 1-1/2 Hour Rating for Security & Detention Applications. Drilling Holes in the Door for Installation is not Required.



SPECIFICATIONS:

Material:	16 gauge CRS frame and louver blades. Min size 10" x 6", Max 24" x 24".
Construction:	Louver: Z-blade louvers riveted to operating bar and 1-9/16" deep frame at 1" intervals. Mechanical stop holds blades open. Frame: Mitered and welded corners. 12 gauge security grille welded to louver core with 13/16" square openings 1" on center; screws fastened through prepared frame into louver core; this mounting method leaves corridor side of frame free of fasteners for aesthetic and security purposes.
Operation:	Adjustable blades of 16-ga. cold rolled steel pivot on cadmium-plated steel rivets. The blades are operated by a manual trigger. A spring-loaded fusible link mechanism is incorporated into the design. Upon melting of the link, the action bar is actuated thereby closing and locking all of the blades.
Door:	For 1-3/4" door. Door cutout = order size.
Fasteners:	#8 x 3/4" flathead Phillips head SMS to match finish.
Powder Coat Finishes:	<input type="checkbox"/> (B) Mineral Bronze (standard color) <input type="checkbox"/> (G) Gray <input type="checkbox"/> (BK) Black <input type="checkbox"/> (FBK) Flat Black <input type="checkbox"/> (W) White <input type="checkbox"/> (SB) SC Beige <input type="checkbox"/> (SA) Satin Aluminum <input type="checkbox"/> (S) Sand <input type="checkbox"/> (AB) AMS Beige <input type="checkbox"/> (R) Red <input type="checkbox"/> (GH) Gray Hammertone Color Samples Online
Free Flow Area:	45% free area.

SELF-ATTACHING FRAME



OPTIONAL FEATURES AT AN ADDITIONAL COST:

Finishes & Materials:	<input type="checkbox"/> (S) 16 gauge stainless steel—#4 finish. <input type="checkbox"/> (EG) Electro Galvanized for corrosion resistance & exterior use. <input type="checkbox"/> Special order colors. Please provide color chip.
Fasteners:	<input type="checkbox"/> Torx <input type="checkbox"/> Hex head <input type="checkbox"/> Other: _____
Screen:	<input type="checkbox"/> Insect or Bird Screen.
Custom:	Custom sizes, other door thickness. Contact Customer Service.

Order Format:	1900ASG _____
Example:	1900ASG 1818B Option S,EG W H Color

LISTINGS & RATINGS:



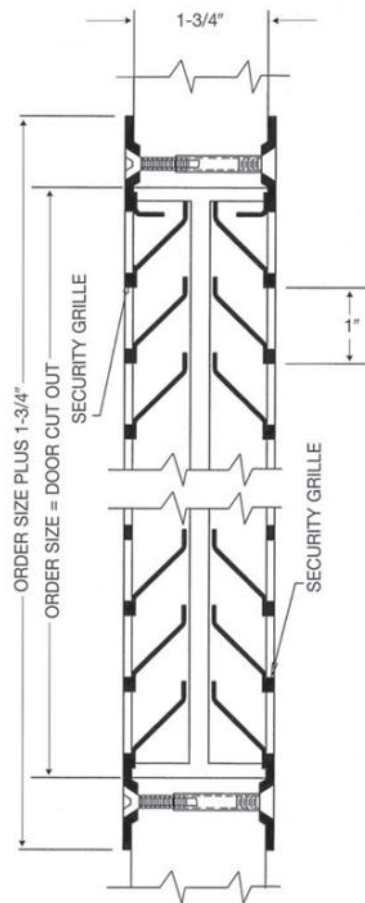
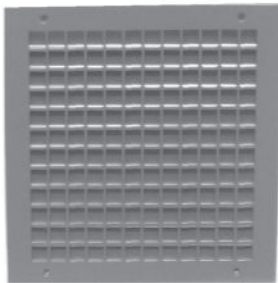
Fire Ratings with UL & WHI Classification Marks

Model 1900ASG is Rated for use in fire doors up to 1-1/2 hour rating. Louver size shall not exceed maximum of 576 sq. inches, 24"W and 24" H. The minimum width and height shall not be less than 10" and 6", respectively. Louvers may be provided for classified hollow metal type and composite type fire doors. Consult with the Local Authority Having Jurisdiction (AHJ) to determine appropriate standards.

	Distributor:	Width: _____ x Height: _____
	Architect:	Quantity:
	Contractor:	Model:
	Project:	Date: _____ Version: ALPDS1105
800-554-6077 QUOTES@ACTIVARCPG.COM ORDERS@ACTIVARCPG.COM SALES@AIRLOUVERS.COM FAX: 952-835-2218 VISIT WWW.ACTIVARCPG.COM FOR THE MOST UPDATED PRODUCT INFORMATION • AN ACTIVAR CONSTRUCTION PRODUCTS COMPANY MANUFACTURING: COMMERCE CA, BLOOMINGTON, MN • WAREHOUSES: LANCASTER PA, ATLANTA GA, CHICAGO IL, SEATTLE WA		

Inverted "Y" Blades with Security Grille Meets up to 350 ft lb Impact Rating for Severe Windstorm Rating. Electro-Galvanized Finish Provides Weatherproof Finish for Exterior Applications.

Florida Building Code Approved
File # FL13341



SPECIFICATIONS:

Material:	18 gauge CRS frame and blades; 12 gauge CRS security grille. Minimum size 6" X 6", Maximum size 24" x 64"
Construction:	Louvers: 2 rows of Inverted, split "Y" blades with 1" blade spacing are attached to welded frame with by interlocking construction. Non-vision design. Security Frame: Security grille is welded to on interior and exterior of louver with 13/16" square openings 1" on center. Thru-bolted to door.
Door:	1-3/4". For 1-3/8" doors, consult factory. Door cutout = order size.
Fasteners:	#8-32 Phillips head thru-bolts with blank head one side.
Finish:	Standard Electro-Galvanized finish.
Free Flow Area:	40% free area.

OPTIONAL FEATURES AT AN ADDITIONAL COST:

Finishes & Materials:	<input type="checkbox"/> (S) 20 gauge stainless steel—#4 finish. <input type="checkbox"/> (G) Galvanized sheet for Corrosion Resistance & Exterior Use. <input type="checkbox"/> 16 gauge CRS blade and 10 gauge security grille. <input type="checkbox"/> Special order colors. Please provide color chip.
Fasteners:	<input type="checkbox"/> Torx <input type="checkbox"/> Hex head <input type="checkbox"/> Other: _____
Screen:	<input type="checkbox"/> 18 -14 mesh insect screen installed in roll formed aluminum frame <input type="checkbox"/> Aluminum <input type="checkbox"/> bronze <input type="checkbox"/> fiberglass <input type="checkbox"/> stainless <input type="checkbox"/> Bird Screen
Custom:	Custom sizes, other door thickness, other options; Contact Customer Service.

LISTING & RATINGS:

1500A-HR Listed Severe Windstorm

Approved Louver

Tested in Accordance with:
ASTM E330, ASTM E1996, ANSI A250.13
TAS 203, 201, 202, ASTM E 1886
Impact (ft lb) 350
DP Rating (PSF) 60



Order Format: 1500A-HRC _____
Example: 1500A-HRC 2464B Option S,EG W H Color

	Distributor: _____	Width: _____ x Height: _____
	Architect: _____	Quantity: _____
	Contractor: _____	Model: _____
	Project: _____	Date: _____ Version: ALPDS1105
800-554-6077 QUOTES@ACTIVARCPG.COM ORDERS@ACTIVARCPG.COM SALES@AIRLOUVERS.COM Fax: 952-835-2218 VISIT WWW.ACTIVARCPG.COM FOR THE MOST UPDATED PRODUCT INFORMATION • AN ACTIVAR CONSTRUCTION PRODUCTS COMPANY MANUFACTURING: COMMERCE CA, BLOOMINGTON, MN • WAREHOUSES: LANCASTER PA, ATLANTA GA, CHICAGO IL, SEATTLE WA		