

# SUBMITTAL: FD™, FDS™ SERIES - FIRE RATED FLUSH ACCESS DOORS FOR 2 HR WALLS

JL Industries' innovative line of fire-rated access panels for every type of installation meets testing standards: UL10B, CAN/ULC-S104, ASTM E152. Access panels are rated to 1-1/2 hours for 2 hour fire barriers for vertical surfaces in sizes up to 48" x 48" (24" x 48" for Heavy Gauge). All models feature a 2" thick insulated door, slam latch with spring-assisted closer and welded-on masonry anchors. Minimum size 8" x 8".



SPRING-ASSISTED CLOSING OF FD PANELS

**FD: Standard Panel (Wall)**

**Frame & Trim:** 16 gauge steel with a paintable 1" flange.  
**Door:** 2" thick, insulated 20 gauge steel with continuous hinge, universal lock.  
**Finish:** White powder coat.

**FDS: Stainless Steel (Wall)**

**Frame & Trim:** 16 gauge stainless steel with 1" wall flange.  
**Door:** 2" thick, insulated 20 gauge stainless steel with continuous hinge, universal lock.  
**Finish:** 304 Stainless steel - #4 Satin finish.

**FD: Heavy Gauge and Security (Wall Maximum Size 24 x 48)**

**Frame:** 14 gauge steel with paintable 1" wall flange.  
**Door:** 2" thick, insulated 14 gauge steel with continuous hinge, universal lock.  
**Finish:** White powder coat.

Detail of Wall Model



**Fire-Rating of FD, FDS:**  
**Wall Installation:** 1-1/2 hour UL "B" label in a 2 hour fire barrier.

**STEP 1: SELECT SIZE AND QUANTITY ON CHART ON PAGE 2, OR ENTER CUSTOM SIZE**

**STEP 2: SELECT MATERIAL**

- \_\_\_ FD (Standard) Steel with 20 gauge door and 16 gauge frame. Example: **FD-1212U4W**
- \_\_\_ **SELECT OPTIONAL MATERIAL BELOW AT ADDITIONAL COST**
- \_\_\_ FD Steel with 16 gauge door and frame. Example: **FD-1212UW-H2**
- \_\_\_ **FD Heavy Gauge Steel** with 14 gauge door and 14 gauge frame. Example: **FD-2424UW-H14**
- \_\_\_ **FDG Galvannealed Steel** with 20 gauge door and 16 gauge frame. Example: **FDG-1212U2W**
- \_\_\_ **FDS Stainless Steel Construction** with 20 gauge door and 16 gauge frame. Example: **FDS-1212U**
- \_\_\_ **FDS Stainless Steel** with 16 gauge door and 16 gauge frame. Example: **FDS-1818-U-H2**
- \_\_\_ **FDS Heavy Gauge Stainless Steel** with 14 gauge door and 14 gauge frame. Example: **FDS-1212U-H14**

**STEP 3: SELECT LOCK AND OPTIONAL COLOR**

- \_\_\_ (U) Standard Universal Lock with turn ring and key
- \_\_\_ **SELECT OPTIONAL LOCKS AND FEATURES BELOW AT ADDITIONAL COST**
- \_\_\_ (U3) Mortise slam lock prep for lock by others. This preparation will accept a 1-1/8" diameter mortise cylinder and the threading on the cylinder must be 7/8" long. Cam must have minimum "X" length of 7/16". This allows you to key to new or existing master key systems.
- \_\_\_ (U4) Mortise slam lock prep with model 06431 installed.
- \_\_\_ (U2) Slam latch with knurled knob.
- \_\_\_ Optional Color Code - see selection on page 2 or website, custom colors-contact customer service.  
**G-Gray, R-Red, BK-Black, FB-Flat Black, S-Sand, AB-AMS Beige, SB-Flat Beige, B-Bronze, SI-Silver**

**LATCH AND LOCK OPTIONS**

Standard (U) Universal Ring/Key	Optional Knurled Knob (U2)	Optional Mortise Lock (U4)

	Distributor:	Quantity:
	Contractor:	Approved By:
	Model #:	Architect:
	Project:	Date: <span style="float: right;">© 2022 ACTIVAR CONSTRUCTION PRODUCTS GROUP, INC.</span>

QTY	A		B		C		APPROXIMATE SHIPPING WEIGHT In Pounds			LATCH (ES)
	MODEL SIZE IS DOOR SIZE WIDTH X HEIGHT		OUTSIDE FRAME DIMENSIONS		2 HOUR FIRE BARRIER UL "B" RATED WALL OPENING		FD	FDS	FD "H14"	
	INCHES	mm	W	H	WIDTH	HEIGHT				
	<b>8" x 8"</b>	203 x 203	10"	10"	8 3/8"	8 3/8"	6	6	11	1
	<b>10" x 10"</b>	254 x 254	12"	12"	10 3/8"	10 3/8"	8	8	15	1
	<b>12" x 12"</b>	305 x 305	14"	14"	12 3/8"	12 3/8"	10	10	17	1
	<b>14" x 14"</b>	356 x 356	16"	16"	14 3/8"	14 3/8"	12	12	22	1
	<b>16" x 16"</b>	406 x 406	18"	18"	16 3/8"	16 3/8"	15	15	17	1
	<b>18" x 18"</b>	457 x 457	20"	20"	18 3/8"	18 3/8"	17	18	30	1
	<b>20" x 20"</b>	508 x 508	22"	22"	20 3/8"	20 3/8"	21	22	51	1
	<b>20" x 30"</b>	508 x 762	22"	32"	20 3/8"	30 3/8"	28	29	53	2
	<b>22" x 22"</b>	559 x 559	24"	24"	22 3/8"	22 3/8"	26	27	51	1
	<b>22" x 30"</b>	559 x 762	24"	32"	22 3/8"	30 3/8"	29	30	53	2
	<b>22" x 36"</b>	559 x 914	24"	38"	22 3/8"	36 3/8"	36	37	58	2
	<b>24" x 24"</b>	610 x 610	26"	26"	24 3/8"	24 3/8"	27	28	47	1
	<b>24" x 36"</b>	610 x 914	26"	38"	24 3/8"	36 3/8"	37	38	60	2
	<b>24" x 48"</b>	610 x 1219	26"	50"	24 3/8"	48 3/8"	54	56	85	2
	<b>30" x 30"</b>	762 x 762	32"	32"	30 3/8"	30 3/8"	38	40	—	2
	<b>32" x 32"</b>	813 x 813	34"	34"	32 3/8"	32 3/8"	43	41	—	2
	<b>36" x 36"</b>	914 x 914	38"	38"	36 3/8"	36 3/8"	52	54	—	2
	<b>36" x 48"</b>	914 x 1219	38"	50"	36 3/8"	48 3/8"	61	64	—	2
	<b>48" x 48"</b>	1219 x 1219	50"	50"	48 3/8"	48 3/8"	100	110	-----	2
		*Custom Size								

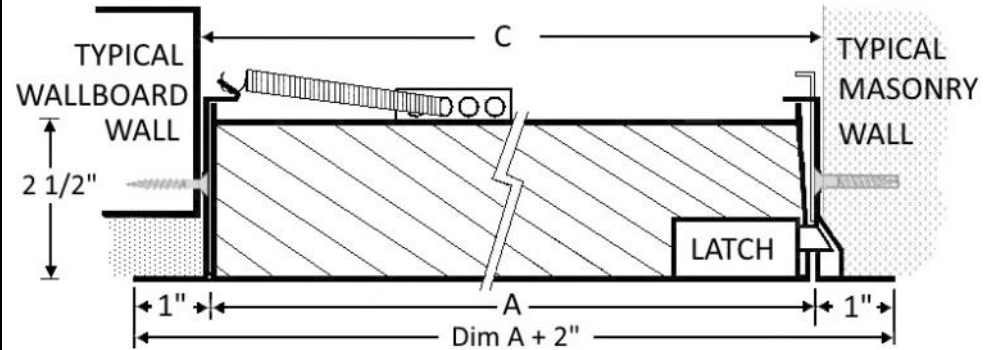
\*Sizes not shown, available upon request up to 48" x 48"  
 For Sizes Where Height Exceeds 48", See our Expanded Line of FD2 Access Panels

**Sizes Shown in Bold Text in Chart Above Available from One or More of our Warehouses - Check Stock List**

Standard Color is White, Optional Colors at Additional Cost - Samples Available



**WALL INSTALLATION**  
 1-1/2 HOUR UL "B" LABEL IN A 2 HOUR FIRE BARRIER  
 Use "C" Dimension for Installation Without Wallboard Liner  
 Add 1-5/8" to "A" for 5/8" Wallboard Liner of Opening on 4 Sides  
 Top View



SEE SEPARATE SUBMITTALS FOR 1- 3 HOUR CEILINGS, 3 HOUR WALLS OR DOUBLE LEAF DOORS

THIS DRAWING IS AN ILLUSTRATION ONLY - INSTALLATION CONDITIONS MAY VARY

Order Format: \_\_\_\_\_ - \_\_\_\_\_  
 Example: FD-1212-U4B  
 Model Width Height Lock (U Standard, U2, U3 & U4 Optional) Optional Color Optional Gauge