

SUBMITTAL: CAVALIER™ FIRE EXTINGUISHER CABINET

Select the Beauty and Upscale Finish of Bronze or Brass to add that Luxury Look to Your Next Project.

Door and Trim Construction: Cabinets are available in US 10 satin bronze or US 3 polished brass. Flush cabinet doors with a 5/8" door stop are attached by a continuous hinge and equipped with zinc-plated handle that is painted to match the finish, and roller catch. All models have 1-3/4" wide trim on frame and 1-1/4" trim on doors with glazing. Can also be ordered with our theft-deterrent Saf-t-Lok™ which features a cylinder lock with a plastic cam allowing the door to be opened with a sharp tug.

Trim Style and Depth: Recessed - 3/8" flat trim. Semi-Recessed - 1 1/4", 1 1/2" Square Edge or 3" Rolled Edge. Surface-mount has a square edge.

Tub: Constructed of cold rolled steel with white powder-coat finish standard. Surface mount cabinets are the same finish as the trim.

Fire-Rated Option Available: Yes - See Separate Submittal

STEP 1: SELECT MODEL NUMBER AND QUANTITY ON CHART (refer to chart on page 2)

- A. Determine Trim Style according to wall depth.
- B. Determine Tub I.D. according to size most suited for extinguisher and wall opening.
- C. Select Model and Material

STEP 2: Select Door Style Below: (See page 2)

Door Styles (with handle)

- | | | |
|---|---|---|
| <input type="checkbox"/> F Full Glazing | <input type="checkbox"/> S21 Solid | |
| <input type="checkbox"/> G Full Glazing & Saf-t-Lok™ | <input type="checkbox"/> L22 Solid & Saf-T-Lok | |
| <input type="checkbox"/> D Horizontal Duo Panel | <input type="checkbox"/> L24 Solid with Cylinder Lock & No Handle | <input type="checkbox"/> V Vertical Duo6 |
| <input type="checkbox"/> E Horizontal Duo Panel & Saf-T-Lok | <input type="checkbox"/> B10 Solid with 2"x4" Glass & Saf-T-Lok | <input type="checkbox"/> W Vertical Duo & Saf-T-Lok |



1855V10




1847S21

STEP 3: Select Door Glazing Below

- | | | |
|--|--|--|
| <input type="checkbox"/> 10 Clear Acrylic | <input type="checkbox"/> 15 Bronze Acrylic | <input type="checkbox"/> 17 Clear Tempered Glass |
| <input type="checkbox"/> 13 Clear Wire Glass w/Safety Film | <input type="checkbox"/> 16 Gray Acrylic | <input type="checkbox"/> 18 Laminated Safety Glass |

STEP 4: Options at Additional Cost (Select Any)

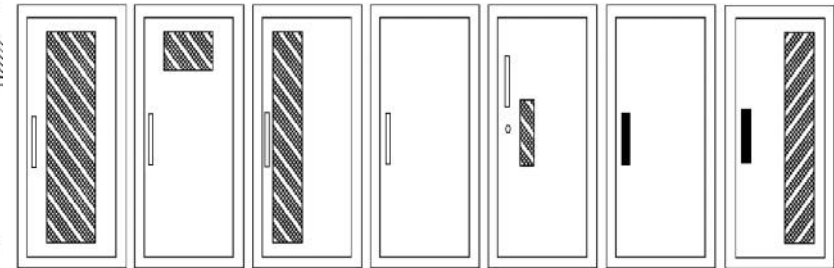
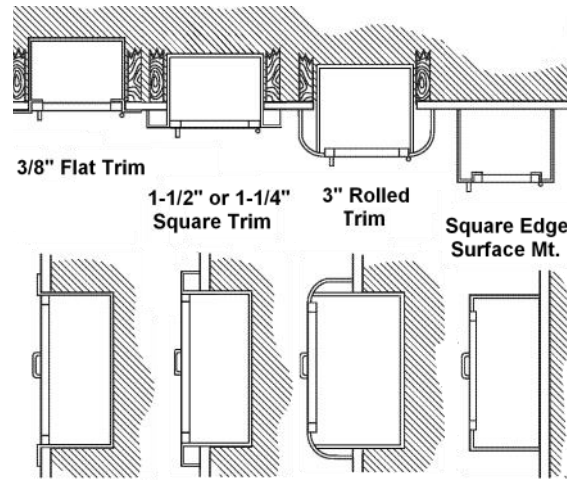
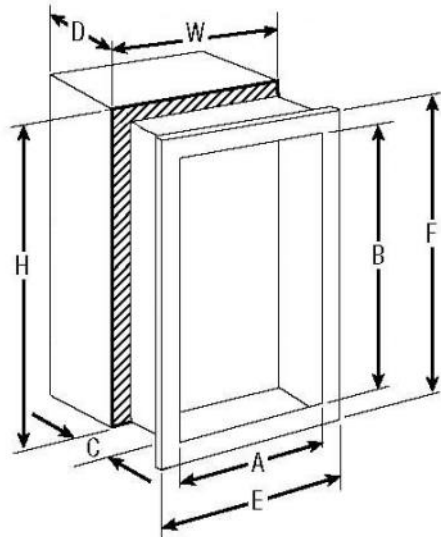
- | | | |
|--|--|---|
| <input type="checkbox"/> Futura Embossed "Fire" Handle in Mill, White or Red | <input type="checkbox"/> Bronze Door & Trim: US9 Bright Polished | <input type="checkbox"/> FE Diecut Letters - Black Vertical |
| <input type="checkbox"/> Flush Pull | <input type="checkbox"/> Brass Door & Trim: US4 Satin | <input type="checkbox"/> FE Diecut Letters- Red Vertical |
| <input type="checkbox"/> Panorama-Style Full Acrylic Door Style: _____ | <input type="checkbox"/> Bronze Door & Trim: US10B Oil-Rubbed | <input type="checkbox"/> FE Diecut Letters - White Vertical |
| <input type="checkbox"/> Optional Color Tub | | <input type="checkbox"/> FE Diecut Letters - Black Horizontal |
| <input type="checkbox"/> Etched Lettering in Glass | | <input type="checkbox"/> FE Diecut Letters - Red Horizontal |
- (CA) Commander Alarm
 (BA) Brigadier Alarm
 (SA) Strobe Alarm (surface mt)

 <p>CAVALIER™ IS A TRADEMARK OF ACPG</p>	Distributor:	Quantity:
	Contractor:	Approved By:
	Model #:	Architect:
	Project:	Date:

© 2021 Activar Construction Products Inc

HEADQUARTERS: 9702 NEWTON AV S, BLOOMINGTON, MN 55431 PH: 800-554-6077 EMAIL: SALES@ACTIVARCPG.COM WWW.ACTIVARCPG.COM
 MANUFACTURING: BLOOMINGTON MN & COMMERCE, CA • WAREHOUSES: MANY LOCATIONS NATIONWIDE 9/2/21

SUBMITTAL: CAVALIER FIRE EXTINGUISHER CABINET



- F - Full glass with pull handle
- G - Full glass with pull handle and Saf-T-Lok
- D - Horizontal duo panel with pull handle
- E - Horizontal duo panel with pull handle and Saf-T-Lok
- V - Vertical duo panel with pull handle
- W - Vertical duo panel with pull handle and Saf-T-Lok
- S21 - Solid with pull handle
- L22 - Solid with pull handle and Saf-T-Lok
- L24 - Solid with cylinder key lock & no handle
- B - Solid with pull handle view window and Saf-T-Lok
- Example of door with ADAC recessed handle
- Optional: Vertical duo with ADAC recessed handle

Trim and Door Material and Series #		Tub I.D.			Frame O.D.		Wall Opening: Non-Rated			Accommodates Extinguishers					
QTY	US10 Satin Bronze	QTY	US10B Oil-rubbed	QTY	US3 Polished Brass	Trim Style	A	B	C	E	F	W	H	D	
	1845		1885		1855	Flat Trim •	10 1/2	24	5 1/2	13 7/8	27 3/8	11 1/2	25	5 3/8	Cosmic & Galaxy 2 1/2-6 (6lb must be mounted on tub) Mercury 2 1/2, 5
	1846		1886		1856	1 1/2" Square •	10 1/2	24	5 1/2	13 7/8	27 3/8	11 1/2	25	4 1/8	
	1847		1887		1857	3" Rolled •	10 1/2	24	5 1/2	13 7/8	27 3/8	11 1/2	25	2 5/8	
	1045		1085		1055	Flat Trim •	10 1/2	24	6	13 7/8	27 3/8	11 1/2	25	5 7/8	Cosmic & Galaxy 2 1/2-10 Sentinel 5, Mercury 2 1/2, 5
	1046		1086		1056	1 1/2" Square •	10 1/2	24	6	13 7/8	27 3/8	11 1/2	25	4 5/8	
	1047		1087		1057	3" Rolled •	10 1/2	24	6	13 7/8	27 3/8	11 1/2	25	3 1/8	
	1043		1083		1053	Surf. Mt Square	13 11/16	27 3/16	6 1/2	13 7/8	27 3/8	--	--	--	
	2045		2085		2055	Flat Trim •	12	27	7 3/4	15 3/8	30 3/8	13	28	7 5/8	Any Cosmic or Galaxy (20 lb must be mounted on tub), Mercury, Saturn or Grenadier P, Sentinel 5, 10, Nebula 270
	2046		2086		2056	1 1/4" Square •	12	27	7 3/4	15 3/8	30 3/8	13	28	6 5/8	
	2043		2083		2053	Surf. Mt Square	15 3/16	30 3/16	8 1/4	15 3/8	30 3/8	--	--	--	



**2086V10
US10B Oil-Rubbed
Finish with
White Vertical Decal
Letters**

• Models in Blue Meet 4" Maximum ADA Projection Requirement