

SUBMITTAL: CLEAR VU FX2™ FIRE-RATED FIRE EXTINGUISHER CABINETS

Door and Trim Construction: US10 satin bronze, US3 polished brass, #180 clear anodized aluminum, #4 stainless steel or CRS with white powder coat finish. Flush cabinet doors with a 5/8" door stop are attached by a continuous hinge and equipped with zinc-plated handle and roller catch.

Bubble: Acrylic bubble allows 180° extinguisher visibility. 2 1/2" projection for 1500 series, 3 1/2" projection for 2500.

Trim Style and Depth: Recessed - 3/8" flat trim, Semi-Recessed - 1 1/4", 1 1/2" Square Edge or 2 1/2", 3", Rolled Edge. All models have 1-3/4" wide trim on frame and 1-1/4" trim on doors.

Tub: The tub is constructed of cold rolled steel with white powder-coat finish standard. Fire-resistant material is attached to the exterior of the tub. **Please note that dimensions for wall opening have changed in 2015. See Chart on pg 2.**



2515F25FX

1537G25FX



STEP 1: SELECT MODEL NUMBER, MATERIAL AND QUANTITY ON CHART (refer to chart below)

- A. Determine Trim Style according to wall depth.
- B. Determine Tub I.D. according to best size for extinguisher and wall opening.

[View All Locations Stock List](#)

[BIM Objects for REVIT® Platform](#)

STEP 2: SELECT 1 DOOR STYLE F or G & 1 GLAZING STYLE

- F Full Acrylic Glazing
- G Full Acrylic Glazing & Saf-t-Lok™
- 25 Clear Acrylic Bubble
- 26 Red Acrylic Bubble for 1500 Models Only
- 27 Bronze Acrylic Bubble

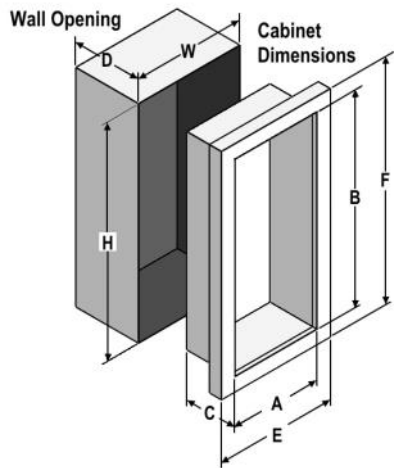
STEP 3: OPTIONAL FEATURES AT ADDED COST (SELECT ANY)

- Black Vertical FE Letters LDCVBF [View Other Lettering Options](#)
- Red Vertical FE Letters LDCVRF
- White Vertical FE Letters LDCVWF
- Futura Embossed "Fire" Handle in ___Mill ___ White ___Red
- Stainless Steel Tub #4 Satin Finish (Stainless Models) [Tub Finishes](#)
- Custom Stainless Finishes # 6, #7, #8 [View Online](#)
- Bronze: ___US9 Bright Polished, ___ US10B Oil-rubbed Finishes
- Brass: US4 Satin Brass Finish [View Bronze & Brass Finishes Online](#)
- Color Anodized Aluminum Finishes [View Online](#) (pulls painted to match)
- CA Commander Alarm
- Optional Color Door/Trim/Tub [View Cabinet Colors Online](#)

Door Material and Series								Tub ID			Frame OD			FX Wall Opening New Dimensions 1/23/15 - Please Note			Accommodates Following Extinguishers Mounted on the Tub
Steel	Aluminum	Stainless Steel	Bronze	Brass	Trim Style	A	B	C	E	F	W	H	D				
	1515	1525	1535	1545	1555	Flat Trim	10 1/2	24	4	13 7/8	27 3/8	12 13/16	26 5/16	4 15/16	Cosmic & Galaxy 2.5-10, Mercury 2.5-5, Sentinel 5		
	1516	1526	1536	1546	1556	1 1/2" Square	10 1/2	24	4	13 7/8	27 3/8	12 13/16	26 5/16	3 11/16			
	1517	1527	1537	1547	1557	3" Rolled Edge	10 1/2	24	4	13 7/8	27 3/8	12 13/16	26 5/16	2 3/16			
	2515	2525	2535	2545	2555	Flat trim	14	30	4	17 3/8	33 3/8	16 5/16	32 5/16	4 15/16	Cosmic & Galaxy 2.5-10, Cosmic FE20A, Mercury 2.5-15 (FM11A & FM15A), Sentinel 5, Saturn 15 & 25, Grenadier P		
	2516	2526	2536	2546	2556	1 1/4" Square	14	30	4	17 3/8	33 3/8	16 5/16	32 5/16	3 15/16			
	2517	*2527	2537	--	--	2 1/2" Rolled	14	30	4	17 3/8	*33 3/8	16 5/16	32 5/16	*2 11/16			

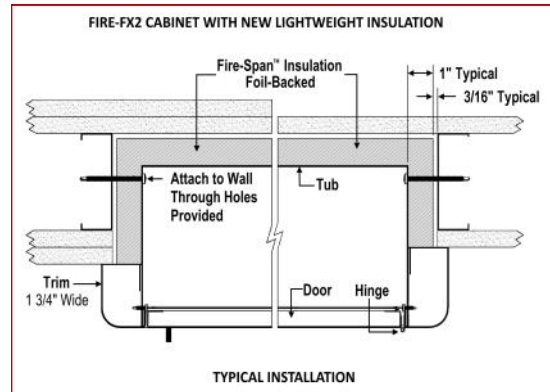
*Add 5/8" to wall depth for a cabinet with an aluminum frame. Models indicated in blue project 4" or less and meet ADA standards. Several Models in Stock—[View Current Stock List](#)

<p>ACTIVAR INC. CONSTRUCTION PRODUCTS GROUP</p> <p>CLEAR VU, FX AND SAF-T-LOK ARE TRADEMARKS OF ACTIVAR PLEASE DOWNLOAD THE MOST CURRENT SUBMITTAL FROM WEBSITE BEFORE ORDERING</p>	Distributor:	Quantity:
	Contractor:	Approved By:
	Model #:	Architect:
	Project:	Date:
<p>HEADQUARTERS & JL INDUSTRIES: 9702 NEWTON AV S, BLOOMINGTON, MN 55431 PH: 800-554-6077 FAX: 952-835-2218 EMAIL: SALES@ACTIVARCPG.COM WWW.ACTIVARCPG.COM</p> <p>ACPG WEST COAST/SAMSON: COMMERCE, CA WAREHOUSES: FT MYERS, FL DALLAS TX, LANCASTER PA, ATLANTA GA, CHICAGO, IL, SEATTLE WA, OMAHA NE, FARGO ND 11/7/2018</p>		

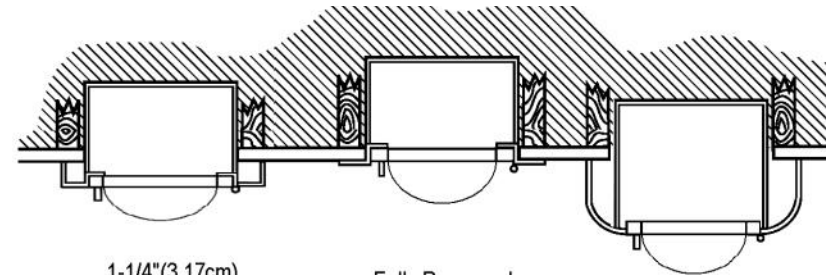


New Lighter, FX2 Insulation

Fire-Rating: Fire-FX2™ cabinets are fabricated in accordance with the UL label for one and two hour combustible and non-combustible wall system building codes. The fire testing has met the requirement of ANSI/UL 1479 (ASTM –E814) and ULC/CAN S115-for membrane and penetration firestops. Installation instructions must be strictly adhered to in order to obtain the fire rating.



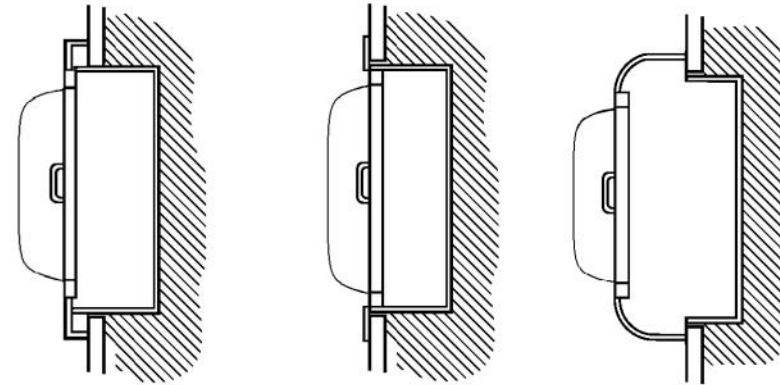
Top View of Cabinet



1-1/4" (3.17cm) or 1-1/2" (3.8cm) Return Trim

Fully Recessed 3/8" Flat Trim

3" (7.65cm) or 2-1/2" (6.4cm) Rolled Edge Trim



Side View of Cabinet



1555F27FX

2536F25FX

2527G25FX

153526FX