

SUBMITTAL: CLEAR VU™ FIRE EXTINGUISHER CABINETS

Door and Trim Construction: US10 satin bronze, US3 polished brass, clear anodized aluminum, #4 stainless steel or CRS with white powder coat finish. Flush cabinet doors with a 5/8" door stop are attached by a continuous hinge and equipped with zinc-plated handle and roller catch.

Bubble: Acrylic bubble allows 180° extinguisher visibility. 2 1/2" projection for 1500 series, 3 1/2" projection for 2500 and 4500 series.

Trim Style and Depth: Recessed - 3/8" flat trim, Semi-Recessed - 1 1/4", 1 1/2" Square Edge or 2 1/2", 3", Rolled Edge. Surface-mount has a square edge or optional rolled edge for steel or stainless steel upon request. All models have 1-3/4" wide trim on frame and 1-1/4" trim on doors.

Tub: Constructed of cold rolled steel with white powder-coat finish standard.

Fire-Rated Option Available: Yes- [See separate submittal.](#)

[View All Locations Stock List](#)



STEP 1: SELECT MODEL NUMBER, MATERIAL AND QUANTITY ON CHART (refer to chart below)

- A. Determine Trim Style according to wall depth.
- B. Determine Tub I.D. according to best size for extinguisher and wall opening.

[BIM Objects for REVIT® Platform](#)

STEP 2: SELECT 1 DOOR STYLE F or G & 1 GLAZING STYLE


STEP 3: OPTIONAL FEATURES AT ADDED COST (SELECT ANY)

<input type="checkbox"/> F Full Acrylic Glazing	<input type="checkbox"/> Black Vertical FE Letters LDCVBF E	<input type="checkbox"/> Custom Stainless Finishes # 6, #7, #8 View Online
<input type="checkbox"/> G Full Acrylic Glazing & Saf-t-Lok™	<input type="checkbox"/> Red Vertical FE Letters LDCVRFE View Other Lettering Options	<input type="checkbox"/> Bronze: __US9 Bright Polished, __US10B Oil-rubbed Finishes
<input type="checkbox"/> 25 Clear Acrylic Bubble	<input type="checkbox"/> White Vertical FE Letters LDCVWFE	<input type="checkbox"/> Brass: US4 Satin Brass Finish View Bronze & Brass Finishes Online
<input type="checkbox"/> 26 Red Acrylic Bubble for 15xx Models Only	<input type="checkbox"/> Futura Embossed "Fire" Handle in __Mill __White __Red	<input type="checkbox"/> Dark Bronze Anodized Aluminum Finish (pull to match) Pt # changes from "2" to "9"
<input type="checkbox"/> 27 Bronze Acrylic Bubble	<input type="checkbox"/> Stainless Steel Tub #4 Satin Finish (Stainless Models) Tub Finishes	<input type="checkbox"/> Commander Alarm CA
	<input type="checkbox"/> Aluminum Tub for Alum Cabinets with Mill finish (Non-Rated Use)	<input type="checkbox"/> Optional Color Door/Trim/Tub View Cabinet Colors Online

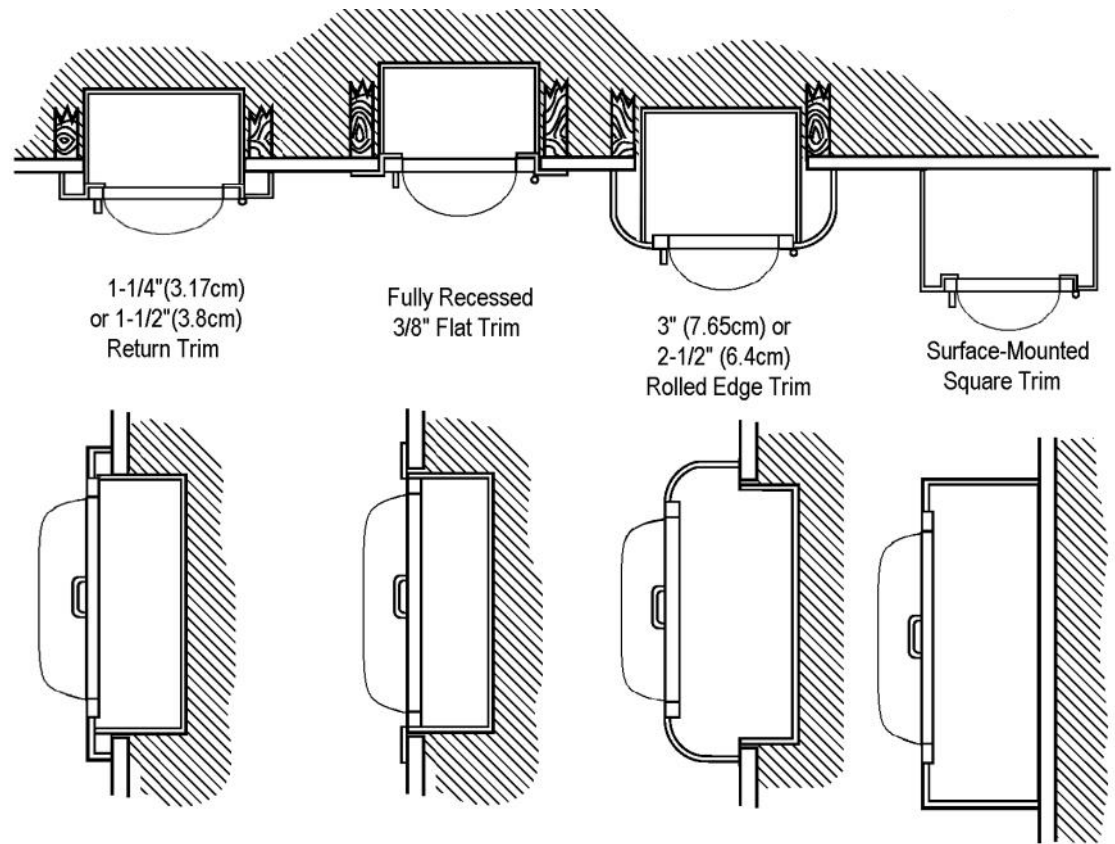
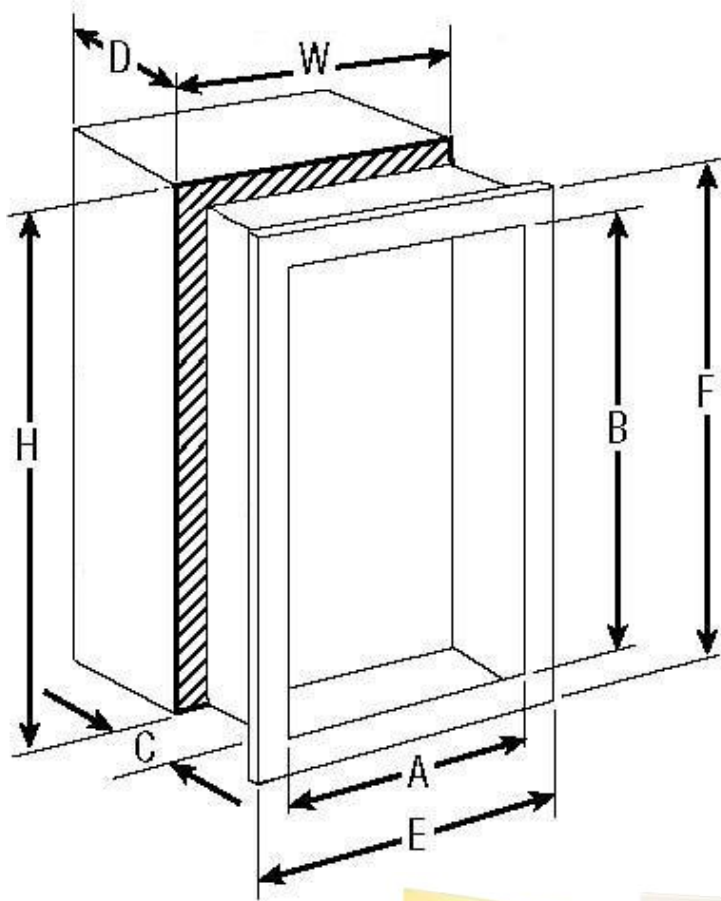
Door Material and Series						Tub ID			Frame OD		Wall Opening Non Rated			Accommodates Following Extinguishers Mounted on the Tub
Steel	Aluminum	Stainless Steel	Bronze	Brass	Trim Style	A	B	C	E	F	W	H	D	
	1515	1525	1535	1545	1555 Flat trim	10 1/2	24	4	13 7/8	27 3/8	11 1/2	25	3 7/8	Cosmic & Galaxy 2.5-10, Mercury 2.5-5, Sentinel 5
	1516	1526	1536	1546	1556 1 1/2" Square	10 1/2	24	4	13 7/8	27 3/8	11 1/2	25	2 5/8	
	1517	1527	1537	1547	1557 3" Rolled	10 1/2	24	4	13 7/8	27 3/8	11 1/2	25	1 1/8	
	1513	1523	1533	1543	1553 Surface Mounted	13 11/16	27 3/16	4 5/8	13 7/8	27 3/8	--	--	--	Cosmic & Galaxy 2.5-10, Cosmic FE20A, Mercury 2.5-15 (FM11A & FM15A), Sentinel 5, Saturn 15 & 25, Grenadier P
	2515	2525	2535	2545	2555 Flat trim	14	30	4	17 3/8	33 3/8	15	31	3 7/8	
	2516	2526	2536	2546	2556 1 1/4" Square	14	30	4	17 3/8	33 3/8	15	31	2 7/8	
	2517	*2527	2537	--	-- 2 1/2" Rolled *	14	30	4	17 3/8	33 3/8	15	31	*1 5/8	
	2513	2523	2533	2543	2553 Surface Mounted	17 3/16	33 3/16	4 5/8	17 3/8	33 3/8	--	--	--	2 Each of Cosmic & Galaxy 2.5-10, Cosmic FE20A Mercury 2.5-15 (FM11A & FM15A), Sentinel 5, Saturn 15 & 25, Grenadier P
	4515	4525	4535	--	-- Flat Trim Double Door	28	30	4	31 3/8	33 3/8	29	31	3 7/8	
	4513	4523	4533	--	-- Surf. Mtd. Double Door	31 3/16	33 3/16	4 5/8	31 3/8	33 3/8	--	--	--	

*Add 5/8" to wall depth for a cabinet with an aluminum frame.

Models indicated in blue project 4" or less and meet ADA standards. Several Models in Stock—[View Current Stock List](#)

 <p>ACTIVAR INC. CONSTRUCTION PRODUCTS GROUP</p> <p>CLEAR VU AND SAF-T-LOK ARE TRADEMARKS OF ACTIVAR PLEASE DOWNLOAD MOST CURRENT SUBMITTAL FROM WEBSITE BEFORE ORDERING</p>	Distributor:	Quantity:
	Contractor:	Approved By:
	Model #:	Architect:
	Project:	Date:

HEADQUARTERS & CUSTOMER SERVICE: 4450 WEST 78TH ST CIRCLE, BLOOMINGTON, MN 55435-5416 PH: 800-554-6077 FAX: 952-835-2218 EMAIL: SALES@ACTIVARCPG.COM WWW.ACTIVARCPG.COM
ACPG SOUTHEAST/THOMAS: FT MYERS, FL ACPG WEST COAST/SAMSON: COMMERCE, CA WAREHOUSES: DALLAS TX, LANCASTER PA, ATLANTA GA, CHICAGO, IL, SEATTLE WA, OMAHA NE, FARGO ND 5/9/18



www.activarcpg.com



1555F27



2515F25



2527G25



1513F25



1536F25



1525G26