

SUBMITTAL: FIRE-FX2 FIRE-RATED EXTINGUISHER CABINET FOR ORBIT™ LOW PROFILE EXTINGUISHERS

This Series Features a Low Profile Tub to Accommodate the Orbit FE10V (Oval 10JABC) Fire Extinguisher to Fit Into a 2" x 4" Stud Wall.

Door & Trim Construction: Cold rolled steel with white powder-coated finish, anodized aluminum or stainless steel with # 4 finish, US3 polished brass or US10 satin finish bronze. Flush cabinet doors with a 5/8" door stop are attached by a continuous hinge and roller catch. Recessed models are equipped with zinc-plated handle and surface mount have flush pull handle. All models have 1-3/4" wide trim on frame and 1-1/4" trim on doors with glazing. Doors with glazing have clear acrylic glazing.

Trim Style & Depth: Recessed Flat 3/8" trim.

Tub: The tub is constructed of cold rolled steel with white powder-coat finish standard. Extinguisher rests on a 1" high shelf.

Fire Rating: Fire-FX2™ cabinets are UL listed and labeled as an approved membrane penetration firestop system for up to 2 hours in accordance with UL 1479 (ASTM-E814) and CAN/ULC-S115, when properly installed in a wall assembly according to installation instructions.



2115G10FX2 Steel Cabinet in Standard White Finish

STEP 1: SELECT MODEL NUMBER BY FINISH AND QUANTITY ON CHART (refer to chart on page 2)

STEP 2: SELECT DOOR STYLE WITH HANDLE

Check one box below Examples on Page 2


- | | |
|--|--|
| <input type="checkbox"/> F10 Full Glazing in 1-1/4" wide Frame | <input type="checkbox"/> L22 Solid with SAF-T-LOK |
| <input type="checkbox"/> G10 Full Glazing with SAF-T-LOK™ in 1-1/4" Frame | <input type="checkbox"/> L24 Solid with Cylinder Lock - No Handle |
| <input type="checkbox"/> D10 Horizontal Duo Panel | <input type="checkbox"/> V10 Vertical Duo |
| <input type="checkbox"/> E10 Horizontal Duo Panel with SAF-T-LOK | <input type="checkbox"/> W10 Vertical Duo with SAF-T-LOK |
| <input type="checkbox"/> S21 Solid Door | |

STEP 3: OPTIONAL FEATURES AT ADDED COST (SELECT ANY)

- | | | |
|---|--|---|
| <input type="checkbox"/> Optional Tub Color: ___ Black ___ Red ___ Silver | <input type="checkbox"/> Black Vertical FE Letters LDCVBF | <input type="checkbox"/> Black Vertical FE Decal LDVBF |
| <input type="checkbox"/> Futura "Fire" Pull ___ Mill Alum ___ Red ___ White | <input type="checkbox"/> Red Vertical FE Letters LDCVRF | <input type="checkbox"/> Red Vertical FE Decal LDVRF |
| <input type="checkbox"/> Polished Chrome Handle (PUCH) | <input type="checkbox"/> White Vertical FE Letters LDCVWF | <input type="checkbox"/> White Vertical FE Decal LDVWF |
| <input type="checkbox"/> Magnetic Catch for 2115 (-MC) Replaces Roller Catch | <input type="checkbox"/> Black Horizontal FE Letters LDCHBF | <input type="checkbox"/> Black Horizontal FE Decal LDHBF |
| <input type="checkbox"/> Optional Color: _____ (See page 2) | <input type="checkbox"/> Red Horizontal FE Letters LDCHRF | <input type="checkbox"/> Red Horizontal FE Decal LDHRF |
| | <input type="checkbox"/> White Horizontal FE Letters LDCHWF | <input type="checkbox"/> White Horizontal FE Decal LDHWF |

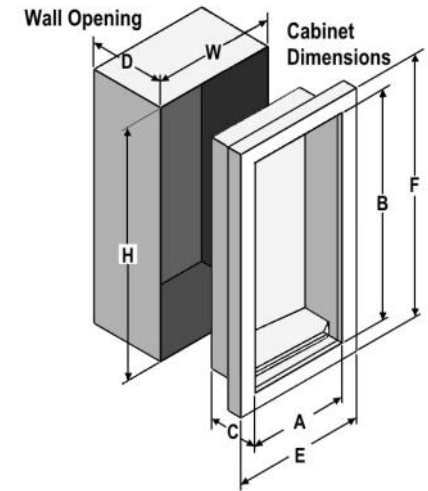
For More Information on Other Options See Separate Submittals: Handles & Levers Decals/Die Cuts & Wall Signs,

*Oval is a trademark of the Oval Fire Products Corporation

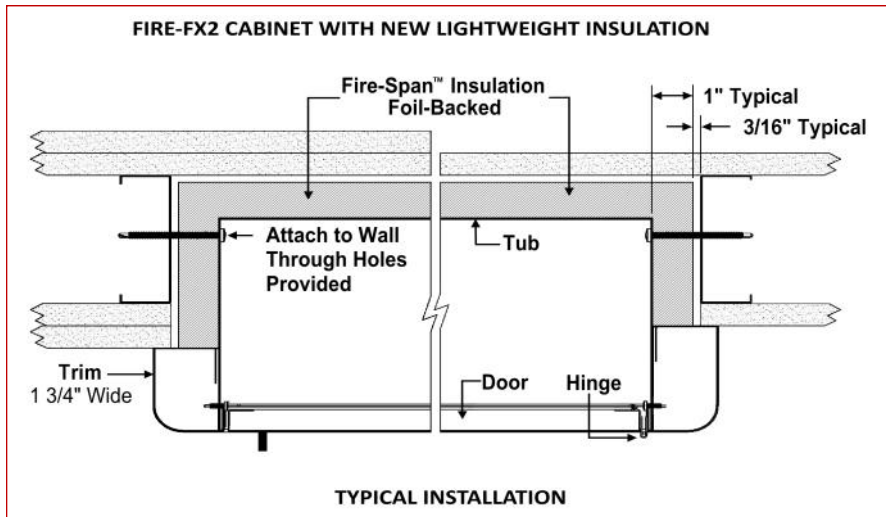
 <p>JL INDUSTRIES ©2022 ACTIVAR CONSTRUCTION PRODUCTS GROUP, INC. ORBIT™ IS A TRADEMARK OF ACTIVAR</p>	Distributor:	Quantity:
	Contractor:	Approved By:
	Model #:	Architect:
	Project:	Date:
<p>HEADQUARTERS: 9702 NEWTON AVE S, BLOOMINGTON, MN 55431 PH: 800-554-6077 EMAIL: SALES@ACTIVARCPG.COM WWW.ACTIVARCPG.COM MANUFACTURING: BLOOMINGTON, MN & COMMERCE, CA WAREHOUSES: MULTIPLE WAREHOUSES IN US 1/24/2022</p>		

SUBMITTAL: FIRE-FX2 FIRE EXTINGUISHER CABINETS FOR ORBIT™ LOW PROFILE EXTINGUISHERS

TRIM & DOOR SERIES #			Tub I.D.			Frame O.D.		Wall Opening			Fire Extinguishers	
QTY	Model	Material	Trim Style	A	B	C	E	F	W	H		D
	2115_FX2	Steel, White Painted	Flat Trim	12	27	3 1/4	15 3/8	30 3/8	14-5/16	29 5/16	4-1/4	Specialty Extinguishers Such as Orbit FE10V (Oval Model 10JABC)
	2125_FX2	Anodized Aluminum	Flat Trim	12	27	3 1/4	15 3/8	30 3/8	14-5/16	29 5/16	4-1/4	
	2135_FX2	Stainless Steel	Flat Trim	12	27	3 1/4	15 3/8	30 3/8	14-5/16	29 5/16	4-1/4	
	2145_FX2	US 10 Satin Bronze	Flat Trim	12	27	3 1/4	15 3/8	30 3/8	14-5/16	29 5/16	4-1/4	
	2155_FX2	US 3 Polished Brass	Flat Trim	12	27	3 1/4	15 3/8	30 3/8	14-5/16	29 5/16	4-1/4	



All Dimensions Shown in Inches



Double Wall Construction with Fire-Resistant Liner Shown Above

ADA Cabinet Mounting Height: Standard Pull on G, E, W, and L22 Door Styles with Saf-T-Lok are 3 5/8" Higher than Door Center, so Allow for that When Mounting Cabinet.
Standard Pull with No Lock is Centered on Door.

Optional Colors at Additional Cost - Samples Available			
Gray	Red	Black/Flat Black	Silver
Sand	AMS Beige	SC Flat Beige	Bronze



- F - Full glass with pull handle
- G - Full glass with pull handle above Saf-T-Lok
- D - Horizontal duo panel with pull handle
- E - Horizontal duo panel with pull handle above Saf-T-Lok.
- V - Vertical duo panel with pull handle
- W - Vertical duo panel with pull handle above Saf-T-Lok.
- S21 - Solid with pull handle
- L22 - Solid with pull handle above Saf-T-Lok
- L24 - Solid with cylinder key lock and no handle (Not Shown)