

SUBMITTAL: FIRE EXTINGUISHER CABINET FOR ORBIT™ LOW PROFILE EXTINGUISHERS

This Series Features a Low Profile Tub to Accommodate the Orbit FE10V Fire Extinguisher* to Fit Into a 3 5/8" Stud Wall and Surface Mount.

Door & Trim Construction: Cold rolled steel with white powder-coated finish, anodized aluminum, stainless steel with # 4 finish, US3 polished brass or US10 satin finish bronze. Flush cabinet doors with a 5/8" door stop are attached by a continuous hinge and roller catch. Recessed models are equipped with zinc-plated handle and surface mount have flush pull handle. All models have 1-3/4" wide trim on frame and 1-1/4" trim on doors with glazing. Doors with glazing have clear acrylic glazing.

Trim Style & Depth: *Recessed* Flat 3/8" Trim. *Surface Mount:* 4" overall depth for ADA compliance

Tub: The tub is constructed of cold rolled steel with white powder-coat finish standard. Extinguisher rests on a 1" high shelf.

Fire-Rated Option Available: Yes - [See separate Submittal Form.](#)



2115G10 Steel Cabinet in Standard White Finish

STEP 1: SELECT MODEL NUMBER BY FINISH AND QUANTITY ON CHART (refer to chart on page 2)

STEP 2: SELECT DOOR STYLE WITH HANDLE

Check one box below Examples on Page 2

- F** Full Glazing in 1-1/4" wide Frame
- G** Full Glazing with SAF-T-LOK™ in 1-1/4" Frame
- D** Horizontal Duo Panel
- E** Horizontal Dual Panel with SAF-T-LOK™
- S21** Solid Door

- L22** Solid with SAF-T-LOK™
- L24** Solid with Cylinder Lock - No Handle
- V** Vertical Duo
- W** Vertical Duo with SAF-T-LOK™

[Quick Link to Orbit Fire Extinguisher](#)



STEP 3: OPTIONAL FEATURES AT ADDED COST (SELECT ANY)

- Optional Tub Color: ___ Black ___ Red ___ Silver
- Futura "Fire" Pull ___ Mill Alum ___ Red ___ White
- Polished Chrome Handle (**PUCH**)
- Magnetic Catch for 2115 (-MC) Replaces Roller Catch
- Optional Colors: ___ Red ___ Black ___ Flat Black
___ Sand ___ AMS Beige ___ SC Flat Beige
___ Gray ___ Bronze ___ Silver

- Black Vertical FE Letters **LDCVBFE**
- Red Vertical FE Letters **LDCVRFE**
- White Vertical FE Letters **LDCVWFE**
- Black Horizontal FE Letters **LDCHBFE**
- Red Horizontal FE Letters **LDCHRFE**
- White Horizontal FE Letters **LDCHWFE**

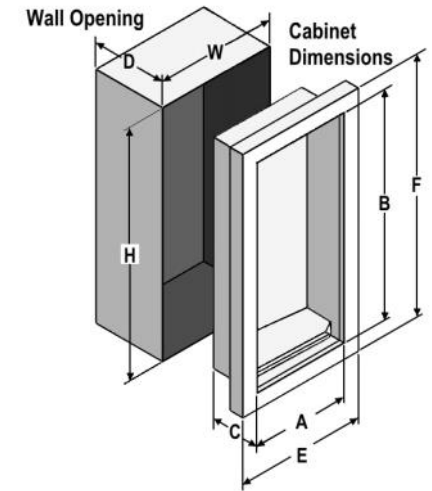
- Black Vertical FE Decal **LDVBFE**
- Red Vertical FE Decal **LDVRFE**
- White Vertical FE Decal **LDVWFE**
- Black Horizontal FE Decal **LDHBFE**
- Red Horizontal FE Decal **LDHRFE**
- White Horizontal FE Decal **LDHWFE**

For More Information on Options See Other Submittals: [Handles & Levers](#) [Decals/Die Cuts & Wall Signs.](#)

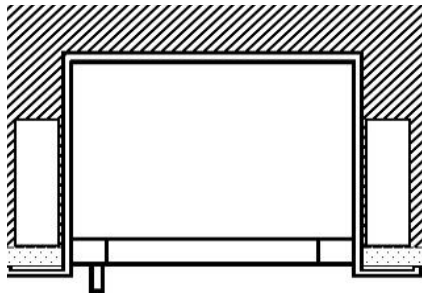
  <p>*DOWNLOAD CURRENT SUBMITTAL BEFORE ORDERING*</p> <p>©2017 ACTIVAR CONSTRUCTION PRODUCTS GROUP, INC. ORBIT™ IS A TRADEMARK OF ACTIVAR</p>	Distributor:	Quantity:
	Contractor:	Approved By:
	Model #:	Architect:
	Project:	Date:
<p>HEADQUARTERS: 9702 NEWTON AVE S, BLOOMINGTON, MN 55431 PH: 800-554-6077 FAX: 952-835-2218 EMAIL: SALES@ACTIVARCPG.COM WWW.ACTIVARCPG.COM</p> <p>MANUFACTURING: BLOOMINGTON, MN & COMMERCE, CA WAREHOUSES: FORT MYERS FL, DALLAS TX, LANCASTER PA, ATLANTA GA, CHICAGO, IL, SEATTLE WA, OMAHA NE, FARGO ND 7/05/17</p>		

SUBMITTAL: FIRE EXTINGUISHER CABINETS FOR ORBIT™ LOW PROFILE EXTINGUISHERS

TRIM & DOOR SERIES #			Tub I.D.			Frame O.D.		Wall Opening			Specialty Extinguishers Such as Orbit Model FE10V
QTY	Model	Material	Trim Style	A	B	C	E	F	W	H	
	2115	Steel, White Painted	Flat Trim	12	27	3 1/4	15 3/8	30 3/8	13	28	3 1/8
	2125	Anodized Aluminum	Flat Trim	12	27	3 1/4	15 3/8	30 3/8	13	28	3 1/8
	2135	Stainless Steel	Flat Trim	12	27	3 1/4	15 3/8	30 3/8	13	28	3 1/8
	2119C	Steel, White Painted	Surface Mount	15 3/8	30 3/8	3 1/8	15 3/8	30 3/8	-	-	-
	2139C	Stainless Steel	Surface Mount	15 3/8	30 3/8	3 1/8	15 3/8	30 3/8	-	-	-
	2145	US 10 Satin Bronze	Flat Trim	12	27	3 1/4	15 3/8	30 3/8	13	28	3 1/8
	2155	US 3 Polished Brass	Flat Trim	12	27	3 1/4	15 3/8	30 3/8	13	28	3 1/8



Surface Mount w/ Recessed Pull



Recessed w/ Flat Trim

ADA Cabinet Mounting Height: Standard Pull on G, E, W, and L22 Door Styles with Saf-T-Lok are 3 5/8" Higher than Door Center, so Allow for that When Mounting Cabinet. Standard Pull with No Lock is Centered on Door.



- F - Full glass with pull handle
- G - Full glass with pull handle above Saf-T-Lok
- D - Horizontal duo panel with pull handle
- E - Horizontal duo panel with pull handle above Saf-T-Lok.
- V - Vertical duo panel with pull handle
- W - Vertical duo panel with pull handle above Saf-T-Lok.
- S21 - Solid with pull handle
- L22 - Solid with pull handle above Saf-T-Lok
- L24 - Solid with cylinder key lock and no handle (Not Shown)