

SUBMITTAL: PANORAMA™ STAINLESS STEEL FIRE EXTINGUISHER CABINETS

The Panorama Cabinet Features a Frameless Acrylic Door of Clear or Opaque Textured Acrylic with Many Lettering Options.

Door & Trim Construction: Flush acrylic cabinet doors are attached by a continuous hinge and equipped with zinc-plated handle and roller catch. 1-3/4" trim on cabinet has #4 stainless steel finish.

Trim Style & Depth: Recessed 3/8" flat trim, Semi Recessed - 1-1/4", 1-1/2" Square Edge or 2-1/2", 3", 4", 4-1/2" Rolled Edge (4" has recessed pull). Surface-mount models have a square edge or optional rolled edge upon request. See separated Submittal for trimless models.

Tub: The tub is constructed of cold rolled steel with white powder-coat finish standard. Surface mount models have #4 stainless steel tub.

Fire-Rated Option Available: Yes - See separate Submittal Form.

STEP 1: SELECT MODEL NUMBER, MATERIAL AND QUANTITY ON CHART (refer to chart on pg 2)

A. Determine Trim Style according to wall depth. B. Determine Tub I.D. according to size most suited for extinguisher and wall opening.



STEP 2: SELECT DOOR ACRYLIC WITH HANDLE

(Check one box below)

- | | |
|---------------------------------------------------------------------------------|-------------------------------------------------------------------------------------------------|
| <input type="checkbox"/> C70 Clear 3/16" Unlettered Smooth Acrylic | <input type="checkbox"/> P Identity: 3/16" Textured Obscure Acrylic with Lettering |
| <input type="checkbox"/> C71 Clear 3/16" Unlettered Smooth Acrylic & Saf-T-Lok™ | <input type="checkbox"/> Q Identity: 3/16" Textured Obscure Acrylic with Lettering & Saf-T-Lok™ |

STEP 3 - P&Q DOORS SELECT LETTERING STYLE

View lettering styles on page 2 or:

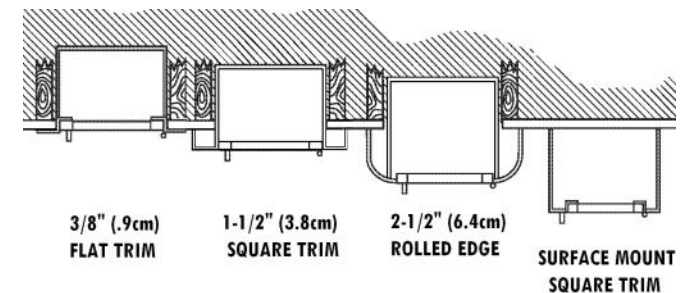
[VIEW LETTERING STYLES ONLINE](#)

40 Vert, Black Bkgd, White Lettering	45 Horiz, Black Bkgd, White Lettering	50 Ascending, Black Bkgd, White Lettering
41 Vert, Red Bkgd, White Lettering	46 Horiz, Red Bkgd, White Lettering	51 Ascending, Red Bkgd, White Lettering
42 Vert, White Bkgd, Black Lettering	47 Horiz, White Bkgd, Black Lettering	52 Ascending, White Bkgd, Black Lettering
43 Vert, White Bkgd, Red Lettering	48 Horiz, White Bkgd, Red Lettering	53 Ascending, White Bkgd, Red Lettering

[BIM Objects for REVIT® Platform](#)

STEP 4: OPTIONAL FEATURES AT ADDED COST (SELECT ANY)

- | | |
|-----------------------------------------------------------------------------------------|-----------------------------------------------------------------------------|
| <input type="checkbox"/> Optional Tub Color: ___ Black ___ Red | <input type="checkbox"/> Stainless Tub ___ #4 Finish |
| <input type="checkbox"/> Futura "Fire" Handle ___ Mill Aluminum (PUF) ___ Red ___ White | <input type="checkbox"/> (CA) Commander Alarm |
| <input type="checkbox"/> Flush Pull Handle for "P" or "Q" Style Doors Only | <input type="checkbox"/> (BA) Brigadier Alarm |
| <input type="checkbox"/> Polished Chrome Lever Handle (P6) | <input type="checkbox"/> (SA) Strobe Alarm (surf mount) |
| <input type="checkbox"/> Other Stainless Finish : ___ #6 ___ #7 ___ #8 | <input type="checkbox"/> Rolled Edge Surface Mount (See separate submittal) |

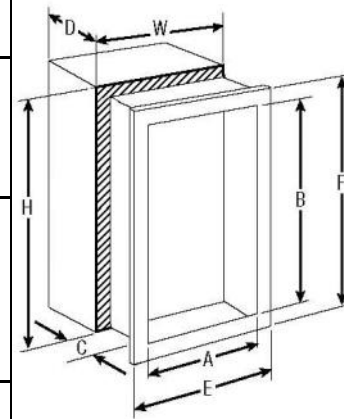


See Other Submittals: [Decals & Die Lettering](#), [Wall Signs](#), [Alarms](#), [Pulls & Levers](#)

<p>ACTIVAR INC. CONSTRUCTION PRODUCTS GROUP</p> <p>PANORAMA AND SAF-T-LOK ARE TRADEMARKS OF AcPG PLEASE DOWNLOAD MOST CURRENT SUBMITTAL FROM WEBSITE BEFORE ORDERING</p>	Distributor:	Quantity:
	Contractor:	Approved By:
	Model #:	Architect:
	Project:	Date:
<p>HEADQUARTERS: 9702 NEWTON AV S, BLOOMINGTON, MN 55431 PH: 800-554-6077 FAX: 952-835-2218 EMAIL: SALES@ACTIVARCPG.COM WWW.ACTIVARCPG.COM</p> <p>MANUFACTURING: BLOOMINGTON MN & COMMERCE, CA • WAREHOUSES: FT MYERS FL, ATLANTA GA, DALLAS TX, SEATTLE WA, LANCASTER PA, FARGO ND, OMAHA NE 6/13/2017</p>		

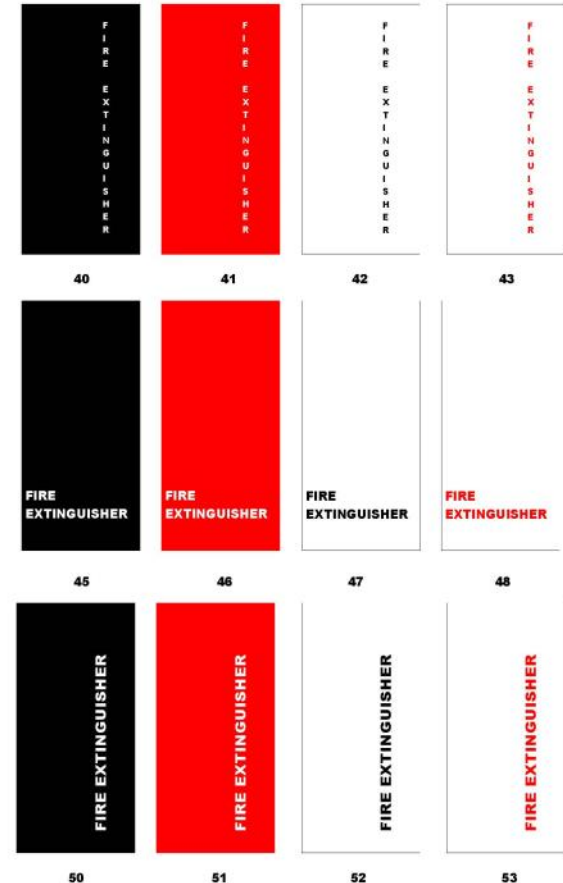
SUBMITTAL: PANORAMA STAINLESS STEEL FIRE EXTINGUISHER CABINETS

TRIM & DOOR SERIES #			Tub I.D.			Frame O.D.		Wall Opening			View Extinguishers
QTY	Model	Trim Style (in)	A	B	C	E	F	W	H	D	
	8135	Flat trim •	9	18	5 1/2	12 3/8	21 3/8	10	19	5 3/8	Cosmic & Galaxy 2 1/2-6(6 lb must be mounted on tub) Mercury 2 1/2-5
	8136	1 1/2 Square •	9	18	5 1/2	12 3/8	21 3/8	10	19	4 1/8	
	8137	2 1/2 Rolled •	9	18	5 1/2	12 3/8	21 3/8	10	19	3 1/8	
	8133	Surf. Mtd. Sq.	12 3/16	21 3/16	6	12 3/8	21 3/8	--	--	--	Cosmic & Galaxy 2 1/2-6(6 lb must be mounted on tub) Mercury 2 1/2-5
	1835	Flat trim •	10 1/2	24	5 1/2	13 7/8	27 3/8	11 1/2	25	5 3/8	
	1836	1 1/2 Square •	10 1/2	24	5 1/2	13 7/8	27 3/8	11 1/2	25	4 1/8	
	1837	3 Rolled •	10 1/2	24	5 1/2	13 7/8	27 3/8	11 1/2	25	2 5/8	
	1832	4 Rolled/ADA Pull* (• P or Q)	10 1/2	24	5 1/2	13 7/8	27 3/8	11 1/2	25	1 7/8	
	1838	4 1/2 Rolled	10 1/2	24	5 1/2	13 7/8	27 3/8	11 1/2	25	1 1/8	
	1035	Flat trim •	10 1/2	24	6	13 7/8	27 3/8	11 1/2	25	5 7/8	Cosmic & Galaxy 2 1/2-10 Mercury 2 1/2-5, Sentinel 5
	1036	1 1/2 Square •	10 1/2	24	6	13 7/8	27 3/8	11 1/2	25	4 5/8	
	1037	3 Rolled •	10 1/2	24	6	13 7/8	27 3/8	11 1/2	25	3 1/8	
	1032	4 Rolled/ADA Pull* (• P or Q)	10 1/2	24	6	13 7/8	27 3/8	11 1/2	25	2 3/8	
	1038	4 1/2 Rolled	10 1/2	24	6	13 7/8	27 3/8	11 1/2	25	1 5/8	
	1033	Surf. Mtd. Sq.	13 11/16	27 3/16	6 1/2	13 7/8	27 3/8	--	--	--	
	2035	Flat trim •	12	27	7 3/4	15 3/8	30 3/8	13	28	7 5/8	Any Cosmic, Galaxy, Mercury, Saturn or Grenadier P (20 lb must be mounted on back of tub), Sentinel 5 & 10
	2036	1 1/4 Square •	12	27	7 3/4	15 3/8	30 3/8	13	28	6 5/8	
	2037	2 1/2 Rolled •	12	27	7 3/4	15 3/8	30 3/8	13	28	5 5/8	
	2032	4 Rolled/ADA Pull* (• P or Q)	12	27	7 3/4	15 3/8	30 3/8	13	28	4 1/8	
	2038	4 1/2 Rolled	12	27	7 3/4	15 3/8	30 3/8	13	28	3 3/8	
	2033	Surf. Mtd. Sq.	15 3/16	30 3/16	8 1/4	15 3/8	30 3/8	--	--	--	
	3035	Flat trim •	16	32	7 3/4	19 3/8	35 3/8	17	33	7 5/8	Any Cosmic, Galaxy, Mercury, Saturn or Grenadier P (20 lb must be mounted on back of tub), Sentinel 5-15, 272
	3036	1 1/4 Square •	16	32	7 3/4	19 3/8	35 3/8	17	33	6 5/8	
	3037	2 1/2 Rolled •	16	32	7 3/4	19 3/8	35 3/8	17	33	5 3/8	
	3032	4 Rolled/ADA Pull* (• P or Q)	16	32	7 3/4	19 3/8	35 3/8	17	33	4 1/8	
	3038	4 1/2 Rolled	16	32	7 3/4	19 3/8	35 3/8	17	33	3 3/8	
	3033	Surf. Mtd. Sq.	19 3/16	35 3/16	8 1/4	19 3/8	35 3/8	--	--	--	
	4035	Flat trim •	20	27	7 3/4	23 3/8	30 3/8	21	28	7 5/8	Two each of: any Cosmic, Galaxy, Mercury, Saturn or Grenadier P (20 lb must be mounted on back of tub), Sentinel 5
	4036	1 1/4 Square •	20	27	7 3/4	23 3/8	30 3/8	21	28	6 5/8	
	4037	2 1/2 Rolled	20	27	7 3/4	23 3/8	30 3/8	21	28	5 3/8	
	4032	4 Rolled/ADA Pull* (• P or Q)	20	27	7 3/4	23 3/8	30 3/8	21	28	4 1/8	
	4038	4 1/2 Rolled	20	27	7 3/4	23 3/8	30 3/8	21	28	3 3/8	
	4033	Surf. Mtd. Sq.	23 3/16	30 3/16	8 1/4	23 3/8	30 3/8	--	--	--	



1832P48—ADA Pull

PANORAMA "P" & "Q" DOOR GLAZING STYLES



Models shown in **Large Bold** above are available in several door styles for Quick Shipment. [See current Stock List.](#)

- Cabinets that Meet 4" Maximum ADA Projection Requirement