

SUBMITTAL: FX™ FIRE-RATED SECURITY/DETENTION FIRE EXTINGUISHER CABINETS

JL security and detention cabinets for fire extinguishers, fire hoses or fire department valves are constructed to meet maximum security requirements in areas where fire protection is required. All recessed models have heavy-duty masonry anchors welded to the frame.

Door & Trim: 12 gauge (0.27 cm) white powder-coated steel or 14 gauge #4 satin finish stainless door. Flush cabinet doors are mounted in a 5/8" door stop and attached by a heavy-duty continuous hinge.

Trim Style & Depth: 2" trim on frame. Available in *Recessed* with flat trim and *Semi-recessed* with 2-1/2" square trim

Tub: The double tub steel cabinets is constructed of 14 gauge cold rolled steel inside liner with white powder-coat finish standard. Fire-resistant material is sandwiched between the layers of steel. Heavy duty masonry anchors provided on recessed & semi recessed models

Lock Prep: Detention deadlock, detention slam lock or mortise cylinder. Select below.

Knockouts: Knockouts are not provided on Fire-Rated Cabinets. Instructions for Knockouts in the field are provided and must be strictly adhered to, to maintain fire rating.

Fire-Rating: The recessed and semi-recessed Fire-FX™ cabinets are fabricated in accordance with the Warnock Hersey label for one and two hour combustible and non-combustible wall system building codes. The fire testing has met the requirement of the UBC standard 43-6 and ASTM-E814-83 for membrane and penetration firestops. Installation instructions must be strictly adhered to in order to obtain the fire rating. The installation of any fire-rated cabinet which lacks a cabinet door or a condition in which the door is left ajar, will void the fire rating.



STEP 1: Select Door & Trim Materials From Chart on Page 2

[View Detention](#)

STEP 2: Select Lock Prep (Included in Price)

[Lock Options Here](#)

___ (DDP) Detention Deadlock Prep. (lock by others) Specify Type: _____

___ (DSP) Detention Slam Lock Prep. (lock by others) Specify Type: _____

___ (MCP) Mortise Cylinder Cam Prep. (no additional cost unless brass ret. ring is required)

Specify Type: _____

STEP 2 A: If Lock Prep Not Select Above: Select Optional Lock by JL at Additional Cost:

___ (MDP) Mortise Deadbolt Prep. (lock by others) Specify Type: _____

___ Mortise Cylinder Cam Lock Installed : ___ (MCP-SL-AMP) or ___ (MCP-SL-1E74) ___ Other*

___ Mortise Deadbolt Installed: ___ (MDP-SL-AMP) or ___ (MDP-SL-1E74) ___ Other*

___ (DDI5010) Detention Deadlock Installed– example of key at right

___ (DDI5017) Detention Slam Lock Installed – example of key at right

*Other - Specify Mfg, Model and Keycut (if needed): _____

___ **Operation Key(s)** (Operates 1E74 Blank Construction core)

___ **Control Key(s)** (For the removal of the 1E74 Blank Construction Core)



**SFC11FX with Optional Detention
Deadbolt DDI5010 Installed**

STEP 3: SELECT OTHER OPTIONS AT ADDITIONAL COST:

___ Red Powder Coat Finish for Steel Cabinets

___ Red Fire Extinguisher Lettering [View Lettering Submittal & Choices](#)



___ Black Fire Extinguisher Lettering

___ Stainless Steel - 12 gauge # 4 Satin Finish. This model features stainless steel door, trim and tub.

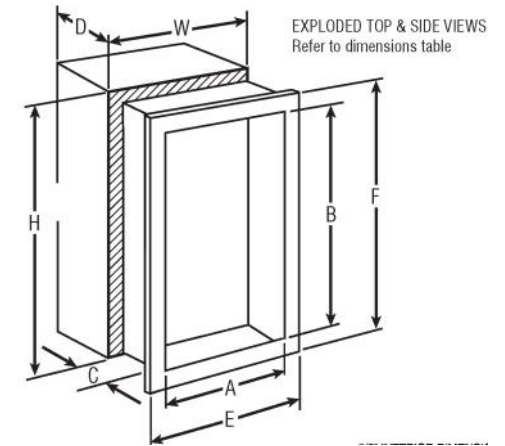
___ **Customer-supplied Lock Installed.** Be Sure to Select Lock Prep

Above and Specify Mfg, Model: _____

___ #0646 Brass Retaining Ring for MP (may be required for locks by others)

  <p>*DOWNLOAD CURRENT SUBMITTAL BEFORE ORDERING*</p> <p>© 2017 ACTIVAR CONSTRUCTION PRODUCTS GROUP, INC</p>	Distributor:	Quantity:
	Contractor:	Approved By:
	Model #:	Architect:
	Project:	Date:

TRIM & DOOR MATERIAL & SERIES		AVAILABLE TUB I.D. W x H x D in Inches			FRAME O.D. W x H in Inches		WALL OPENING FIRE-RATED FX OPTION			APPROX SHIP WT	RECOMMENDED HOSE, RACK & EXTINGUISHER			
QTY	STEEL	QTY	STAINLESS	TRIM STYLE	A	B	C	E	F	W		H	D	LBS
SECURITY FIRE EXTINGUISHER CABINETS (SFC)											View Fire Extinguisher Information			
SFXFC-11		SSFXFC-31	Flat Trim	10-1/2	24	7	13-1/2	27	12-1/2	26-1/2		8	41	Cosmic & Galaxy 2.5-10, Mercury 2.5-5, Sentinel 5
SFXFC-12		SSFXFC-32	2-1/2" Square Trim	10-1/2	24	7	13-1/2	27	12-1/2	26-1/2		5-1/2	45	
SFXFC-15		SSFXFC-35	Flat Trim	12	27	8-1/2	15	30	14	29-1/2		10	54	Any Cosmic, Galaxy, Mercury, Saturn 15, Sentinel 5
SFXFC-16		SSFXFC-36	2-1/2" Square Trim	12	27	8-1/2	15	30	14	29-1/2		7-1/2	56	
SECURITY VALVE CABINETS (SVC)											1-1/2" or 2-1/2" Fire Department Valve			
SFXVC-11		SSFXVC-31	Flat Trim	18	18	8-1/2	21	21	20	20-1/2		9-1/2	53	
SFXVC-12		SSFXVC-32	2-1/2" Square Trim	18	18	8-1/2	21	21	20	20-1/2	7	54		
SECURITY HOSE CABINETS (SHC)											1-1/2" or 2-1/2" Hose Rack, & Extinguisher, or F. D. Valve & Extinguisher*			
SFXHC-11		SSFXHC-31	Flat Trim	32-3/4	34-3/4	8	35-3/4	37-3/4	34-3/4	36-3/4		9	132	
SFXHC-12		SSFXHC-32	2-1/2" Square Trim	32-3/4	34-3/4	9	35-3/4	37-3/4	34-3/4	36-3/4	6-1/2	157		



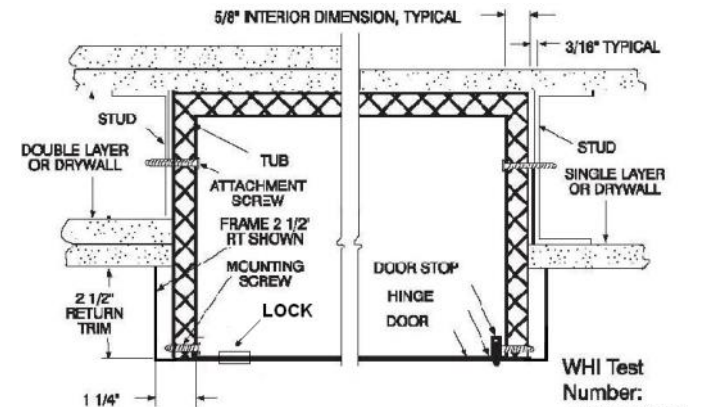
Double Tub Construction of JL's Fire-Rated Cabinets

All Model Number Shown in **Blue Text** are ADA-Compliant



SSVC-32FX

New—Deeper SFC 11 & 12, SSFC 31 & 32 Cabinet Now Fits 10 lb Cosmic and Galaxy!!



WHI Test Number:
 • 631-021201
 • 631-021202