

SUBMITTAL: SECURITY/DETENTION FIRE EXTINGUISHER, VALVE AND HOSE CABINETS

JL security and detention cabinets for fire extinguishers, fire hoses or fire department valves are constructed to meet maximum security requirements in areas where fire protection is required. All recessed models have heavy-duty masonry anchors welded to the frame.

Door & Trim: 12 gauge (0.27 cm) steel with white powder coat finish or 14 gauge #4 satin finish stainless door. Flush cabinet doors are mounted in a 5/8" door stop and attached by a heavy-duty continuous hinge.

Trim Style & Depth: 1-1/2" wide trim on frame. Available in *Recessed* with flat trim, *Semi-recessed* with 2-1/2" square trim or *Surface-mount* model with square edge.

Tub: Steel models are 12 gauge steel with white powder coat finish. Stainless steel models have 14 gauge stainless tub. Heavy duty masonry anchors provided on recessed & semi recessed models. Knockouts provided on recessed models.

Lock Prep: Detention deadlock, detention slam lock or mortise cylinder. Select Below.

Fire-Rated: This cabinet is available as fire-rated. See the [Security FX Cabinet Submittal](#).

[View Detention Lock Options Here](#)



SFC11 with Optional Detention Deadbolt DDI5010 Installed

STEP 1: Select Door & Trim Materials From Chart on Page 2

STEP 2: Select Lock Prep (Included in Price)

(DDP) Detention Deadlock Prep. (lock by others) Specify Type: _____

(DSP) Detention Slam Lock Prep. (lock by others) Specify Type: _____

(MCP) Mortise Cylinder Cam Prep. (no additional cost unless brass ret. ring is required)

Specify Type: _____

STEP 2 A: If Lock Prep Not Select Above: Select Optional Lock by JL at Additional Cost:

(MDP) Mortise Deadbolt Prep. (lock by others) Specify Type: _____

Mortise Cylinder Cam Lock Installed : (MCP-SL-AMP) or (MCP-SL-1E74) Other*

Mortise Deadbolt Installed: (MDP-SL-AMP) or (MDP-SL-1E74) Other*

(DDI5010) Detention Deadlock Installed- example of key at right

(DDI5017) Detention Slam Lock Installed – example of key at right

*Other - Specify Mfg, Model and Keycut (if needed): _____

Operation Key(s) (Operates 1E74 Blank Construction Core)

Control Key (s) (For the removal of the 1E74 Blank Construction Core)



STEP 3: SELECT OTHER OPTIONS AT ADDITIONAL COST:

Red Powder Coat Finish for Steel Cabinets



Red Fire Extinguisher Lettering [View Lettering Submittal & Choices](#)

Black Fire Extinguisher Lettering

Stainless Steel - 12 gauge # 4 Satin Finish. This model features stainless steel door, trim and tub.

Customer-supplied Lock Installed. Be Sure to Select Lock Prep Above and Specify Mfg, Model: _____

#0646 Brass Retaining Ring for MP (may be required for locks by others)

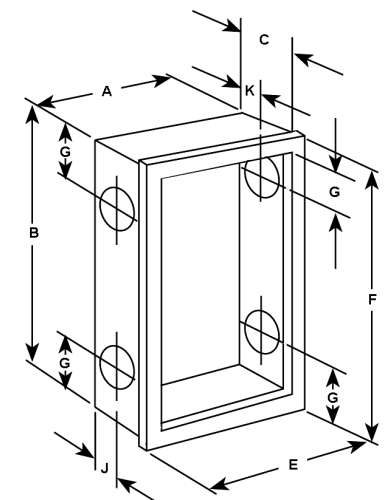
  <p>*DOWNLOAD CURRENT SUBMITTAL BEFORE ORDERING*</p> <p>© 2017 ACTIVAR CONSTRUCTION PRODUCTS GROUP, INC</p>	Distributor:	Quantity:
	Contractor:	Approved By:
	Model #:	Architect:
	Project:	Date:

QTY	TRIM & DOOR MATERIAL & SERIES			TUB I.D. W x H x D in Inches	FRAME O.D. W x H in Inches		WALL OPENING			K.O. LOCATIONS		APPROX SHIP WT	RECOMMENDED HOSE, RACK & EXTINGUISHER			
	STEEL	QTY	STAINLESS		TRIM STYLE	A	B	C	E	F	Width	Height		Depth	J	G
SECURITY FIRE EXTINGUISHER CABINETS (SFC)													<u>View Fire Extinguisher Information</u>			
	SFC-11		SSFC-31	Flat Trim	10-1/2	24	7	12-1/2	26	11-1/2	25	7/1/2	--	--	25	Cosmic & Galaxy 2.5-10, Mercury 2.5-5, Sentinel 5
	SFC-12		SSFC-32	2-1/2" Square Trim	10-1/2	24	7	12-1/2	26	11-1/2	25	5	--	--	26	
	SFC-13		SSFC-33	Surface Mount Sq.	13	26-1/2	8	13	26-1/2	--	--	--	--	--	26	
	SFC-15		SSFC-35	Flat Trim	12	27	8-1/2	14	29	13	28	9	--	--	33	Any Cosmic, Galaxy, Mercury, Saturn 15, Sentinel 5
	SFC-16		SSFC-36	2-1/2" Square Trim	12	27	8-1/2	14	29	13	28	6-1/2	--	--	34	
	SFC-17		SSFC-37	Surface Mount Sq.	14-1/2	29-1/2	10	14-1/2	29-1/2	--	--	--	--	--	34	
SECURITY VALVE CABINETS (SVC)																
	SVC-11		SSVC-31	Flat Trim	18	18	8-1/2	20	20	19	19	9	5	5	32	1-1/2" or 2-1/2" Fire Department Valve
	SVC-12		SSVC-32	2-1/2" Square Trim	18	18	8-1/2	20	20	19	19	6-1/2	4-1/4	4-1/4	33	
	SVC-13		SSVC-33	Surface Mount Sq.	20-1/2	20-1/2	10	20-1/2	20-1/2	--	--	--	--	--	33	
SECURITY HOSE CABINETS (SHC)																
	SHC-11		SSHC-31	Flat Trim	32-3/4	34-3/4	8	34-3/4	36-3/4	33-3/4	35-3/4	8-1/2	4	4	88	1-1/2" or 2-1/2" Hose Rack, & Extinguisher, or F. D. Valve & Extinguisher*
	SHC-12		SSHC-32	2-1/2" Square Trim	32-3/4	34-3/4	8	34-3/4	36-3/4	33-3/4	35-3/4	6	4	4	95	
	SHC-13		SSHC-33	Surface Mount Sq.	36-3/4	38-3/4	8	36-3/4	38-3/4	--	--	--	--	--	104	



SVC-13 With Optional Color

New—Deeper SFC 11 & 12, SSFC 31 & 32 Cabinet Now Fits 10 lb Cosmic and Galaxy!!



All Model Number Shown in **Blue Text** meet the 4" ADA projection requirement.