

SUBMITTAL: 3600 SERIES FIRE-FX2™ FIRE-RATED BLANKET/EXTINGUISHER CABINET - ALUMINUM PG 1 OF 2

Door and Trim Construction: No 180 clear anodized aluminum. Flush cabinet doors with a 5/8" door stop are attached by a continuous hinge and equipped with zinc-plated handle and roller catch. Full glazed front with pull handle. Theft-deterrent SAF-T-LOK™ also available.

Trim Style and Depth: Recessed- 3/8" Flat Trim *Semi-Recessed* -1-1/2" Square Trim, 2-1/2", 4" or 4-1/2" Rolled Edge. Rolled edge models are constructed of mechanically-joined extrusions. 1-3/4" face trim on frame and 1-1/4" trim on doors with glazing. ADA-compliant models in [blue](#).

Tub: The tub is constructed of cold rolled steel with white powder-coat finish standard. Fire-resistant material is attached to the exterior of the tub.

Please note that dimensions for wall opening have changed. See Chart Below.

Shelf: Shelf is located 9" from the top of the cabinet, providing storage for the blanket above the extinguisher.

Blanket: Includes a nominal 62" x 80" x 2.75 lb., processed wool/synthetic fire blanket which meets the Flammable Fabrics Act: Flammability of Clothing Textiles, Title 16, CFR1610.

Fire-Rating: Fire-FX2™ cabinets are fabricated in accordance with the UL label for one and two hour combustibile and non-combustibile wall system building codes. The fire testing has met the requirement of ANSI/UL 1479 (ASTM –E814) and ULC/CAN S115-for membrane and penetration firestops. Installation instructions must be strictly adhered to in order to obtain the fire rating.



Model 327F10 FX2

STEP 1: SELECT DOOR STYLE WITH HANDLE

- F Full Glazing in 1-1/4" wide Frame
- G Full Glazing with SAF-T-LOK™ in 1-1/4" Frame
- D Horizontal Duo Panel
- E Horizontal Dual Panel with SAF-T-LOK™
- S21 Solid Door

Check one box below Examples on Page 2

- L22 Solid with SAF-T-LOK™
- L24 Sold with Cylinder Lock - No Handle
- V Vertical Duo
- W Vertical Duo with SAF-T-LOK™
- B Solid with 2" x 4" View Window & SAF-T-LOK™

STEP 2: SELECT DOOR GLAZING

- 10 Clear Acrylic
- 17 Clear Tempered Glass

STEP 3: OPTIONAL FEATURES AT ADDITIONAL COST:

- Dark Bronze Anodized Finish: (pull to match)
- Color Tub - Red
- Color Tub - Black
- Brigadier Alarm
- Commander Alarm [View Alarms](#)

- Futura "Fire" Handle
- Flush Pull Handle
- "Fire Blanket" Letters - Red Horizontal LDCHRFB
- Black Vertical FE Letters LDCVBFE
- Red Vertical FE Letters LDCVRFE

- White Vertical FE Letters LDCVWFE
- Black Horizontal FE Letters LDCHBFE
- Red Horizontal FE Letters LDCHRFE
- White Horizontal FE Letters LDCHWFE

[View Anodized Colors Online](#)

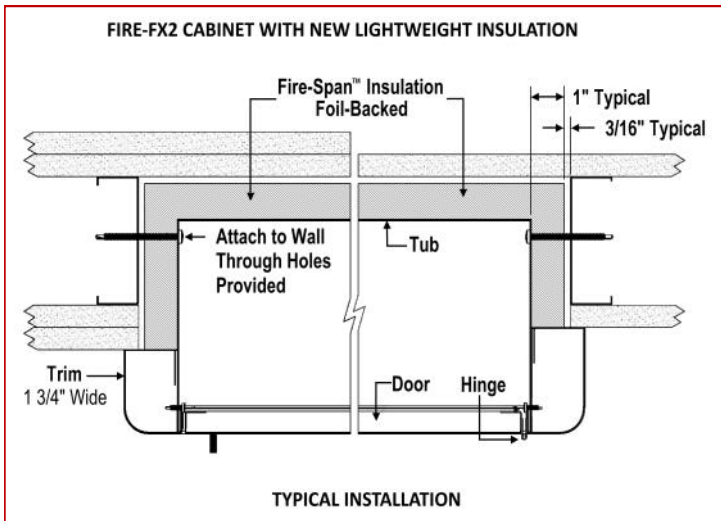
[BIM Objects for REVIT® Platform](#)

Links: [Decals/Die Cuts & Wall Signs](#), [Handles & Levers](#), [Alarms](#)

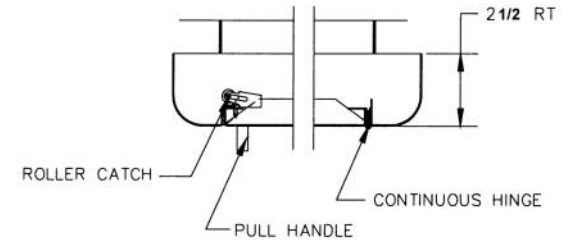
QTY	TRIM & DOOR & SERIES #		TUB I.D.			FRAME O.D.		FX Wall Opening New Dimensions 2015 -			Fits Extinguishers View Submittal
	Model	Trim Style	A	B	C	E	F	W	H	D	
	3625	Flat Trim	12"	36"	8"	15-3/8"	39-3/8"	14 5/16"	38 5/16"	8 15/16"	Cosmic & Galaxy 2.5-10, Any Mercury Sentinel 5-10, Saturn 15-25, Grenadier P.
	3626	1-1/2" Square Edge	12"	36"	8"	15-3/8"	39-3/8"	14 5/16"	38 5/16"	7 11/16"	
	3627	2-1/2" Rolled Edge	12"	36"	8"	15-3/8"	39-3/8"	14 5/16"	38 5/16"	7 5/16"	
	3622	4" Rolled Edge—Recessed Pull	12"	36"	8"	15-3/8"	39-3/8"	14 5/16"	38 5/16"	5 13/16"	
	3628	4-1/2" Rolled Edge	12"	36"	8"	15-3/8"	39-3/8"	14 5/16"	38 5/16"	5 5/16"	

<p>ACTIVAR INC. CONSTRUCTION PRODUCTS GROUP</p> <p>3600 AND FX2 ARE TRADEMARKS OF ACPG PLEASE DOWNLOAD THE MOST CURRENT SUBMITTAL FROM WEBSITE BEFORE ORDERING</p>	Distributor:	Quantity:
	Contractor:	Approved By:
	Model #:	Architect:
	Project:	Date:

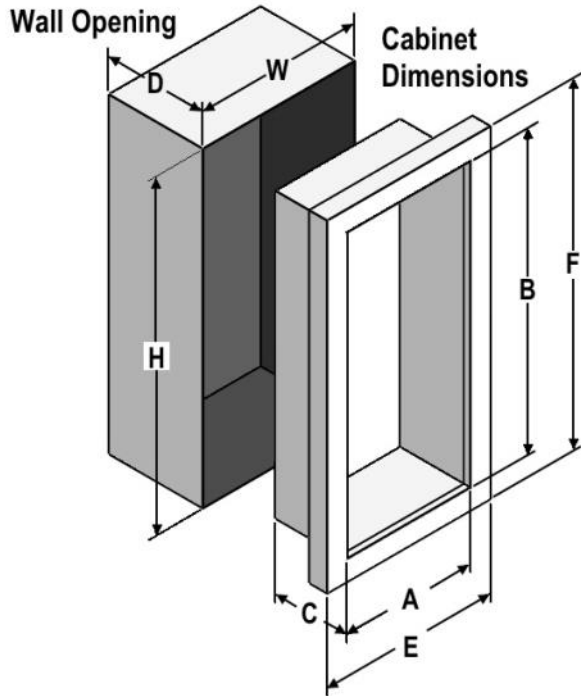
HEADQUARTERS: 9702 NEWTON AV S, BLOOMINGTON, MN 55431 PH: 800-554-6077 FAX: 952-835-2218 EMAIL: SALES@ACTIVARCPG.COM WWW.ACTIVARCPG.COM
 MANUFACTURING: BLOOMINGTON MN & COMMERCE, CA • WAREHOUSES: FT MYERS FL, ATLANTA GA, DALLAS TX, SEATTLE WA, LANCASTER PA, FARGO ND, OMAHA NE 3/20/2017



FX2 Wall Opening
New Dimensions in 2015 - Please Note



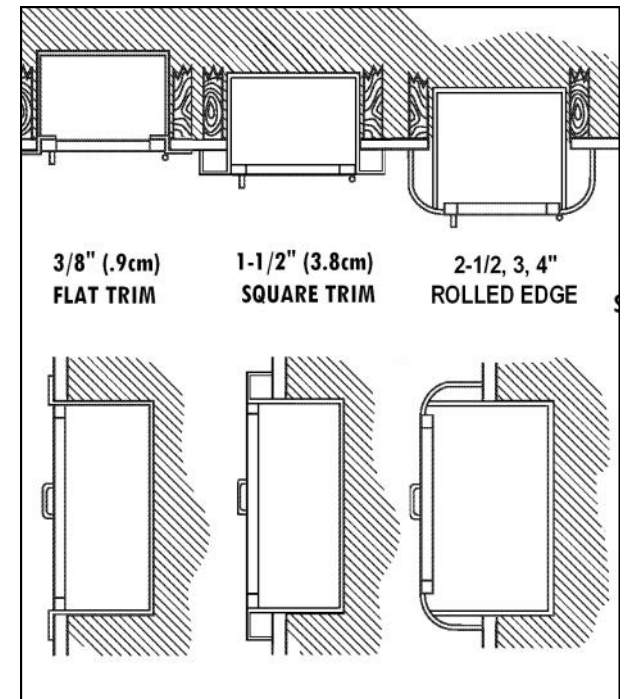
Model 3627F10FX2 Shown Above
4" or 4-1/2" Rolled Trim



New Lighter, FX2 Insulation



Extruded Rolled Edge
3627, 3622, 3728



ADA Cabinet Mounting Height: Standard Pull on G, E, W, L22 and B Door Styles with Saf-T-Lok are 3 5/8" Higher than Door Center, so Allow for that When Mounting Cabinet.
Standard Pull with No Lock or Recessed Pull are Centered on Door.