

Crownline Cabinets Provide A Wide Selection of Door Styles, Glazing and Sizes. These Durable Cabinets are Designed to Industry Standards for Fire Department Valves, Fire Hose Rack Units and Extinguishers.

Door & Trim: Cold rolled steel with white powder coat finish standard. 1-3/4" Trim on face and door. These flush cabinet doors are mounted in a 5/8" door stop, are attached by a continuous hinge and are equipped with zinc-plated handle and roller catch for all non-locking doors.

Trim Style and Depth: 1-3/4" face trim on frame and 1-1/4" trim on door. *Recessed* - 3/8" flat trimless. *Semi-recessed* - 1-1/4" Square Edge or 2-1/2" Rolled Edge. *Surface mounted* - Square edge - Optional rolled edge see options below. See separate submittal for trimless models with wallboard bead or plaster flange.

Tub: CRS, white powder-coat finish standard.

Knockouts: K.O.'s are provided on both sides of the cabinet. K.O.'s on left side will be located using "J" dimension, K.O.'s on right side using "K" dimension and may be offset from K.O.'s on "J" side of cabinet. Trimless K.O.'s centered only - no offset. Models 6017 & 6217 - Specify K.O. location. Provided on surface mounted cabinets by request. Custom location K.O.'s available. See Page 2 for Drawing of K.O. locations.

Special Features: Models 8013, 8014, 8015, 8016 & 8017 have a shelf 12" from the bottom of the cabinet and are designed to hold a fire extinguisher plus FD valve or other accessory. They can also be ordered without shelf to allow for lower mounting height of valve piping to meet NFPA10

Fire-Rated Option Available: Yes - [See separate submittal.](#)



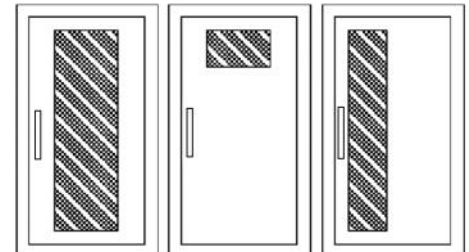
Model 6017 Rolled Edge - Optional Color

STEP 1: SELECT MODEL NUMBER, TRIM & QUANTITY (Refer to Chart on Page 2 & 3)

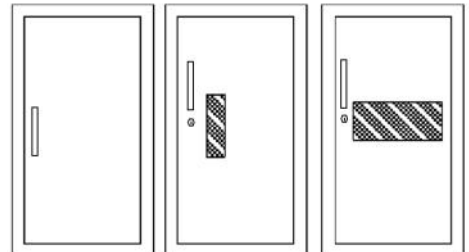
STEP 2: SELECT DOOR STYLE WITH HANDLE (Check one box below)

- | | |
|---|--|
| <input type="checkbox"/> F Full Glazing | <input type="checkbox"/> L22 Solid with SAF-T-LOK™ |
| <input type="checkbox"/> G Full Glazing with SAF-T-LOK™ | <input type="checkbox"/> V Vertical Duo |
| <input type="checkbox"/> D Horizontal Duo Panel | <input type="checkbox"/> W Vertical Duo with SAF-T-LOK™ |
| <input type="checkbox"/> E Horizontal Dual Panel with SAF-T-LOK™ | <input type="checkbox"/> B10 Solid w/Acrylic View Window & SAF-T-LOK™ |
| <input type="checkbox"/> A Center Duo Panel with SAF-T-LOK™ | <input type="checkbox"/> L24 Solid with Cylinder Lock & No Handle |
| <input type="checkbox"/> S21 Solid Door | |

[View Door Styles](#)



F - Full glass with pull
G - Full glass with pull handle and Saf-T-Lok (Not Shown)
D - Horizontal duo panel with pull
E - Horizontal duo panel with pull and Saf-T-Lok. (Not Shown)
V - Vertical duo panel with pull
W - Vertical duo panel with pull and Saf-T-Lok. (Not Shown)



S21 - Solid with pull
L22 - Solid with pull and Saf-T-Lok
L24 - Solid with cylinder key lock/no pull (L22,24 not shown)
B10 - Vertical acrylic view window 5" x 5" with pull, and Saf-T-Lok
A - Horizontal duo panel with pull and Saf-T-Lok


STEP 3: SELECT DOOR GLAZING (Check one box below)

- | | |
|--|---|
| <input type="checkbox"/> 10 Clear Acrylic | <input type="checkbox"/> 16 Gray Acrylic |
| <input type="checkbox"/> 13 Clear Wire Glass with Safety Film | <input type="checkbox"/> 17 Clear Tempered Glass |
| <input type="checkbox"/> 15 Bronze Acrylic | <input type="checkbox"/> 18 Laminated Safety Glass |

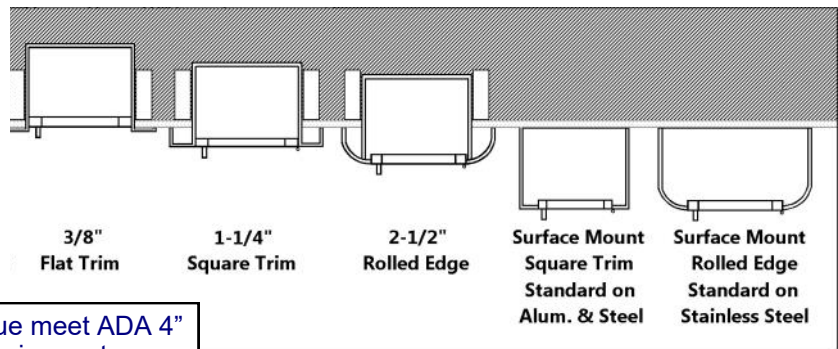
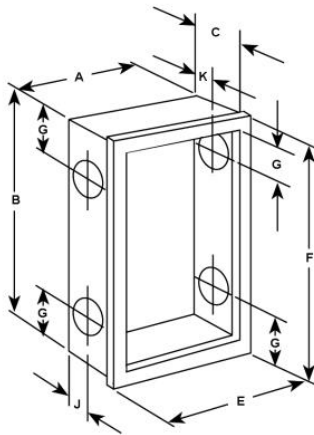
STEP 4: OPTIONAL FEATURES AT ADDITIONAL COST:

- | | | |
|--|---|--|
| <input type="checkbox"/> Optional Tub Color: ___ Black ___ Red | <input type="checkbox"/> PUF Futura "Fire" Handle | <input type="checkbox"/> Black Vertical FE Letters LDCVBF |
| <input type="checkbox"/> (MC) Magnetic Catch—Replaces Roller Catch | <input type="checkbox"/> 0710 ADA Flush Pull Handle | <input type="checkbox"/> Red Vertical FE Letters LDCVRF |
| <input type="checkbox"/> Rolled Edge on Surface-Mount Model | <input type="checkbox"/> P6 Polished Chrome Lever Handle | <input type="checkbox"/> White Vertical FE Letters LDCVWF |
| <input type="checkbox"/> Optional Color: ___ Red ___ Black ___ Flat Black | <input type="checkbox"/> FDVO Decal "Fire Dept Valve" Octagonal 6 x 6" | <input type="checkbox"/> Black Horizontal FE Letters LDCHBF |
| ___ Sand ___ AMS Beige ___ SC Flat Beige | <input type="checkbox"/> 1403 Decal "Fire Hose" Vert. Blk Bkgd, Red Letters 4 x 9 | <input type="checkbox"/> Red Horizontal FE Letters LDCHRF |
| ___ Gray ___ Bronze ___ Silver | <input type="checkbox"/> LDCHFVDV-R Diecut "Fire Dept Valve" Horiz. 10-1/4 x 4-3/8 | <input type="checkbox"/> White Horizontal FE Letters LDCHWF |
| <input type="checkbox"/> CA Commander Alarm | <input type="checkbox"/> LDCVRFDV Diecut "Fire Dept Valve" Vert 3/4: x 17" | |
| <input type="checkbox"/> BA Brigadier Alarm | <input type="checkbox"/> SA Strobe Alarm (surface mount models) | |

For More Options, Visit These Links to Separate Submittals: [Decals & Die Lettering](#), [Alarms](#), [Pulls & Levers](#), [Fire Extinguishers](#), [Fire Hose Racks](#), [Etched or Engraved Lettering - Metal/Glass](#) - [Submittal](#)

 <p>ACTIVAR INC. CONSTRUCTION PRODUCTS GROUP</p> <p>CROWLINE AND SAF-T-LOK ARE TRADEMARKS OF ACTIVAR PLEASE DOWNLOAD MOST CURRENT SUBMITTAL BEFORE ORDERING</p>	Distributor:	Quantity:
	Contractor:	Approved By:
	Model #:	Architect:
	Project:	Date:

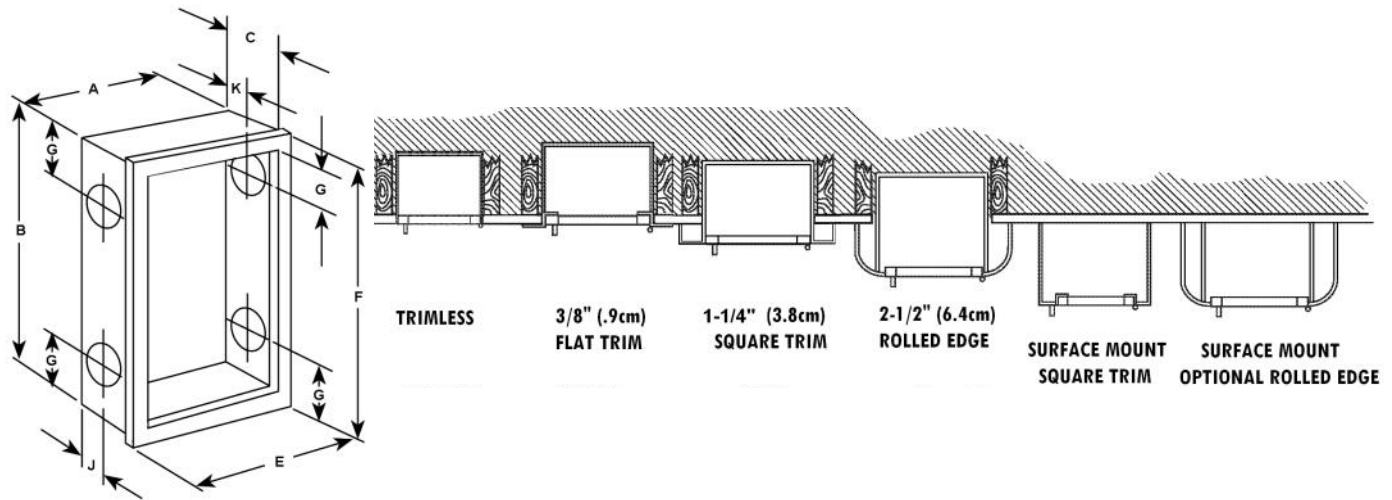
HEADQUARTERS: 9702 NEWTON AV S, BLOOMINGTON, MN 55431 **PH:** 800-554-6077 **FAX:** 952-835-2218
EMAIL: SALES@ACTIVARCPG.COM WWW.ACTIVARCPG.COM **Manufacturing:** BLOOMINGTON MN & COMMERCE, CA © 2017 ACTIVAR CONSTRUCTION PRODUCTS GROUP, INC.
WAREHOUSES: DALLAS TX, LANCASTER PA, ATLANTA GA, CHICAGO, IL, SEATTLE WA, OMAHA NE, FARGO ND, FORT MYERS FL 8/17/2017



Cabinets in Blue meet ADA 4" Projection Requirement

TRIM & DOOR MATERIAL & SERIES		TUB I.D. W x H x D in Inches			FRAME O.D.		RECESSED WALL OPENING			KNOCKOUT LOCATIONS			RECOMMENDED HOSE RACK, VALVES & EXTINGUISHERS	
QTY	#	TRIM STYLE	A	B	C	E	F	Width	Height	Depth	J	G		K
Cabinets with Hose Rack & Extinguisher or FD Valve														
	6015	FLAT TRIM 3/8"	24	30	6	27 3/8	33 3/8	25	31	5 7/8	2 1/2	4	2 1/2	HOSE RACK: 1- 1/2" x 1-1/2" Hose Rack Unit with 50 or 75' Hose (3005, 3105, 3007, 3107) & Cosmic 2½ or Galaxy 2½- 5 lb Extinguisher
	6016	1-1/4" SQUARE EDGE	24	30	6	27 3/8	33 3/8	25	31	4 7/8	2 1/2	4	2 1/2	
	6017	2-1/2" ROLLED EDGE	24	30	6	27 3/8	33 3/8	25	31	3 5/8	Specify When Ordering			
	6013	SURFACE MOUNTED	27 3/16	33 3/16	6 1/2	27 3/8	33 3/8	-	-	-	Upon Request			HOSE RACK: 1- 1/2" x 1-1/2" Hose Rack Unit - 100' Hose (3010 or 3110) & Cosmic 2½ or Galaxy 2½- 5 lb Extinguisher
	6215	FLAT TRIM 3/8"	24	34 3/4	6	27 3/8	38 1/8	25	35 3/4	5 7/8	2 1/2	4	2 1/2	
	6216	1-1/4" SQUARE EDGE	24	34 3/4	6	27 3/8	38 1/8	25	35 3/4	4 7/8	2 1/2	4	2 1/2	
	6217	2-1/2" ROLLED EDGE	24	34 3/4	6	27 3/8	38 1/8	25	35 3/4	3 5/8	Specify When Ordering			
	6213	SURFACE MOUNTED	27 3/16	37 15/16	6 1/2	27 3/8	38 1/8	-	-	-	Upon Request			HOSE RACK: 2-1/2" x 1-1/2" Hose Rack Unit 50 or 75' Hose (3205, 3207)
	6115	FLAT TRIM 3/8"	24	30	8	27 3/8	33 3/8	25	31	7 7/8	4	4	2 1/2	
	6116	1-1/4" SQUARE EDGE	24	30	8	27 3/8	33 3/8	25	31	6 7/8	4	4	2 1/2	
	6117	2-1/2" ROLLED EDGE	24	30	8	27 3/8	33 3/8	25	31	5 5/8	4	4	2 1/2	
	6113	SURFACE MOUNTED	27 3/16	33 3/16	8 1/2	27 3/8	33 3/8	-	-	-	Upon Request			HOSE RACK: 2-1/2" x 1-1/2" Hose Rack Unit - 100' Hose (3210 Series)
	6415	FLAT TRIM 3/8"	24	34 3/4	8	27 3/8	38 1/8	25	35 3/4	7 7/8	4	4	2 1/2	
	6416	1-1/4" SQUARE EDGE	24	34 3/4	8	27 3/8	38 1/8	25	35 3/4	6 7/8	4	4	2 1/2	
	6417	2-1/2" ROLLED EDGE	24	34 3/4	8	27 3/8	38 1/8	25	35 3/4	5 5/8	4	4	2 1/2	
	6413	SURFACE MOUNTED	27 3/16	37 15/16	8 1/2	27 3/8	38 1/8	-	-	-	Upon Request			HOSE RACK: 2-1/2" x 1-1/2" Hose Rack Unit - 125' Hose (3212 Series)
	6615	FLAT TRIM 3/8"	24	38 3/4	8	27 3/8	42 1/8	25	39 3/4	7 7/8	4	4	2 1/2	
	6616	1-1/4" SQUARE EDGE	24	38 3/4	8	27 3/8	42 1/8	25	39 3/4	6 7/8	4	4	2 1/2	
	6617	2-1/2" ROLLED EDGE	24	38 3/4	8	27 3/8	42 1/8	25	39 3/4	5 5/8	4	4	2 1/2	
	6613	SURFACE MOUNTED	27 3/16	41 15/16	8 1/2	27 3/8	42 1/8	-	-	-	Upon Request			HOSE RACK & FD VALVE OR EXTINGUISHER: 1-1/2" OR 2-1/2" Valve 50' or 75' Hose Rack Unit Plus FD Valve or Extinguisher (Not Sentinel 15-20, 272)
	6315	FLAT TRIM 3/8"	30	30	8	33 3/8	33 3/8	31	31	7 7/8	4	4	2 1/2	
	6316	1-1/4" SQUARE EDGE	30	30	8	33 3/8	33 3/8	31	31	6 7/8	4	4	2 1/2	
	6317	2-1/2" ROLLED EDGE	30	30	8	33 3/8	33 3/8	31	31	5 5/8	4	4	2 1/2	
	6313	SURFACE MOUNTED	33 3/16	33 3/16	8 1/2	33 3/8	33 3/8	-	-	-	Upon Request			HOSE RACK & FD VALVE OR EXTINGUISHER: 1-1/2" OR 2-1/2" Valve, 100' Hose Rack Unit Plus FD Valve or Extinguisher (Not Sentinel 20, 272)
	6515	FLAT TRIM 3/8"	32 3/4	34 3/4	8	36 1/8	38 1/8	33 3/4	35 3/4	7 7/8	4	4	2 1/2	
	6516	1-1/4" SQUARE EDGE	32 3/4	34 3/4	8	36 1/8	38 1/8	33 3/4	35 3/4	6 7/8	4	4	2 1/2	
	6517	2-1/2" ROLLED EDGE	32 3/4	34 3/4	8	36 1/8	38 1/8	33 3/4	35 3/4	5 5/8	4	4	2 1/2	
	6513	SURFACE MOUNTED	35 15/16	37 15/16	8 1/2	36 1/8	38 1/8	-	-	-	Upon Request			HOSE RACK & FD VALVE OR EXTINGUISHER: 1-1/2" OR 2-1/2" Valve, 125' Hose Rack Unit Plus FD Valve or Extinguisher (Not Sentinel 20, 272)
	7215	FLAT TRIM 3/8"	32 3/4	38 3/4	8	36 1/8	42 1/8	33 3/4	39 3/4	7 7/8	4	4	2 1/2	
	7216	1-1/4" SQUARE EDGE	32 3/4	38 3/4	8	36 1/8	42 1/8	33 3/4	39 3/4	6 7/8	4	4	2 1/2	
	7217	2-1/2" ROLLED EDGE	32 3/4	38 3/4	8	36 1/8	42 1/8	33 3/4	39 3/4	5 5/8	4	4	2 1/2	
	7213	SURFACE MOUNTED	35 15/16	41 15/16	8 1/2	36 1/8	42 1/8	-	-	-	Upon Request			

ADA Cabinet Mounting Height: Standard Pull on G, E, W, L22 and B Door Styles with Saf-T-Lok are 3 5/8" Higher than Door Center, so Allow for that When Mounting Cabinet. Standard Pull with No Lock or ADA Recessed Pull are Centered on Door.



QTY	TRIM & DOOR MATERIAL & SERIES		TUB I.D. W x H x D in Inches			FRAME O.D.		RECESSED WALL OPENING			KNOCKOUT LOCATIONS			RECOMMENDED HOSE RACK, VALVES & EXTINGUISHERS
	#	TRIM STYLE	A	B	C	E	F	Width	Height	Depth	J	G	K	
Cabinets for Fire Department Valves														
	8515	FLAT TRIM 3/8"	18	18	8	21 3/8	21 3/8	19	19	7 7/8	4	9	2 1/2	FIRE DEPARTMENT VALVE: 1-1/2" or 2-1/2" Fire Department Valve with Cap and Chain
	8516	1-1/4" SQUARE EDGE	18	18	8	21 3/8	21 3/8	19	19	6 7/8	4	9	2 1/2	
	8517	2-1/2" ROLLED EDGE	18	18	8	21 3/8	21 3/8	19	19	5 5/8	4	9	2 1/2	
	8513	SURFACE MOUNTED	21 3/16	21 3/16	8 1/2	21 3/8	21 3/8	-	-	-	Upon Request			
	8415	FLAT TRIM 3/8"	18	18	10	21 3/8	21 3/8	19	19	9 7/8	5	9	5	
	8416	1-1/4" SQUARE EDGE	18	18	10	21 3/8	21 3/8	19	19	8 7/8	5	9	5	
	8417	2-1/2" ROLLED EDGE	18	18	10	21 3/8	21 3/8	19	19	7 5/8	5	9	5	
	8413	SURFACE MOUNTED	21 3/16	21 3/16	10 1/2	21 3/8	21 3/8	-	-	-	Upon Request			
	8715	FLAT TRIM 3/8"	26	26	8	29 3/8	29 3/8	27	27	7 7/8	4	13	2 1/2	DUAL SIDE BY SIDE FIRE DEPARTMENT VALVE & EXTINGUISHER OR 2 FIRE DEPARTMENT VALVES: 1-1/2" or 2-1/2" Fire Department Valve with Cap and Chain Plus Extinguisher - Cosmic & Galaxy 2 1/2-10, Mercury 2 1/2-11, Grenadier, Saturn 15-25, Sentinel 5
	8716	1-1/4" SQUARE EDGE	26	26	8	29 3/8	29 3/8	27	27	6 7/8	4	13	2 1/2	
	8717	2-1/2" ROLLED EDGE	26	26	8	29 3/8	29 3/8	27	27	5 5/8	4	13	2 1/2	
	8713	SURFACE MOUNTED	29 3/16	29 3/16	8 1/2	29 3/8	29 3/8	-	-	-	Upon Request			
	8615	FLAT TRIM 3/8"	26	26	10	29 3/8	29 3/8	27	27	9 7/8	5	13	5	
	8616	1-1/4" SQUARE EDGE	26	26	10	29 3/8	29 3/8	27	27	8 7/8	5	13	5	
	8617	2-1/2" ROLLED EDGE	26	26	10	29 3/8	29 3/8	27	27	7 5/8	5	13	5	
	8613	SURFACE MOUNTED	29 3/16	29 3/16	10 1/2	29 3/8	29 3/8	-	-	-	Upon Request			
	8015	FLAT TRIM 3/8"	16	40	9	19 3/8	43 3/8	17	41	8 7/8	4 1/4	6	4 1/4	DUAL EXTINGUISHER & FD VALVE CABINET WITH SHELF: Shelf is 12" from bottom. Any Extinguisher Except Sentinel 15-20
	8016	1-1/4" SQUARE EDGE	16	40	9	19 3/8	43 3/8	17	41	8 1/8	4 1/4	6	4 1/4	
	8017	2-1/2" ROLLED EDGE	16	40	9	19 3/8	43 3/8	17	41	6 5/8	4 1/4	6	4 1/4	
	8013	SURFACE MOUNTED	19 3/16	43 3/16	9 1/2	19 3/8	43 3/8	-	-	-	Upon Request			

ADA Cabinet Mounting Height: Standard Pull on G, E, W, L22 and B Door Styles with Saf-T-Lok are 3 5/8" Higher than Door Center, so Allow for that When Mounting Cabinet. Standard Pull with No Lock or ADA Recessed Pull are Centered on Door.
8000 Series can also be ordered without shelf to allow for lower mounting height of valve piping to meet NFPA10.

Cabinets in Blue meet ADA 4" Projection Requirement

[BIM Objects for REVIT® Platform 8000 Models](#)

[BIM Objects for REVIT® Platform 6000/ 7000 Models](#)