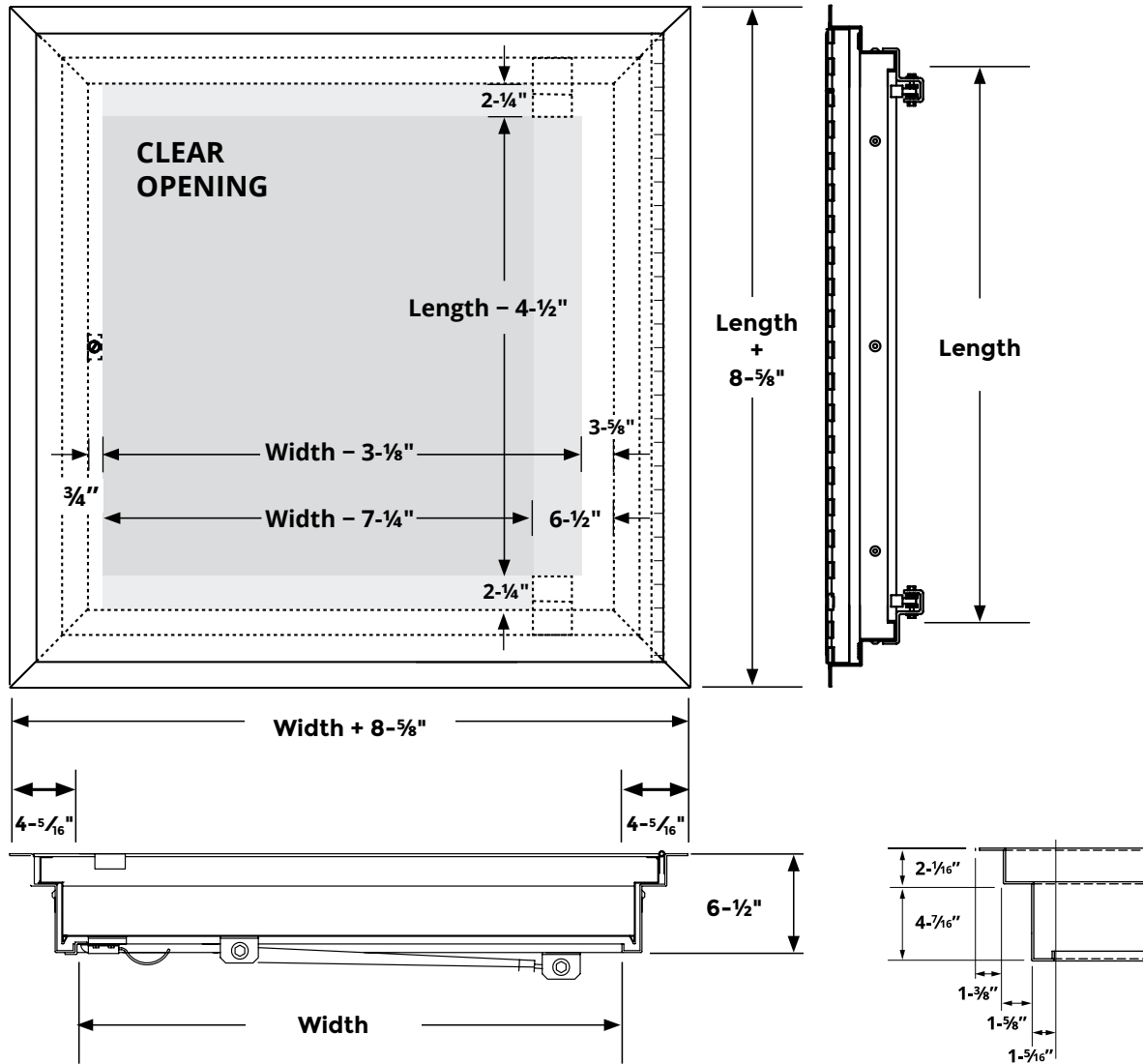


FLOOR DOOR - 3 HOUR FIRE-RATED FLOOR DOOR - FFD3

JL's 3 hour fire rated model is available up to a 64" x 60", which is the largest size in the industry. These patented doors are built to give years of trouble-free service.



SPECIFICATIONS:

Exterior Frame Material: 12 ga (2.75 mm) galvanized steel, supplied with stainless steel anchor straps
Door Frame Material: 14 ga (1.99 mm) galvanized steel
Door Panel Material: 1/4" (6.35mm) aluminum diamond plate and 14 ga (1.99 mm) mill finish aluminum door liner. 12 ga stiffener channels.

Depth: 6-1/2" (165 mm)

Standard Finish:

Door Frame: Gray primer

Outer Frame: Bituminous coating

Insulation: High temperature insulation in door

Latch: 316 Stainless steel slam latch with removable cover plug, operable from the top side by a removable tool and underside by a spoon handle.

Hinge: Heavy duty continuous zinc plated steel hinge w/brass pin

Spring: 316 Stainless steel nitrogen cylinder(s)

Live Load: 150 psf

Sizes: Minimum 30" x 24", Maximum 64" x 60"

FIRE RATING:

Warnock Hersey Intertek listed and labeled to NFPA-288, ASTM E-119, CAN/ULC-S101, NFPA25, NFPA-252, UL-10B, CAN/ULC-S104

Note: Floor Door is not to be exposed to rain or wet environments. Intended for dry location use only.

ORDER SIZE = FRAME INSIDE DIMENSION

QTY	MODEL	ORDER SIZE		APPROX. WEIGHT
		WIDTH	LENGTH	
	FFD3-3030	30"	30"	219 lbs.
	FFD3-3036	30"	36"	263 lbs.
	FFD3-3048	30"	48"	350 lbs.
	FFD3-3630	36"	30"	263 lbs.
	FFD3-3636	36"	36"	315 lbs.
	FFD3-3648	36"	48"	420 lbs.
	FFD3-4242	42"	42"	429 lbs.
	FFD3-4254	42"	54"	551 lbs.
	FFD3-4848*	48"	48"	560 lbs.
	FFD3-6460*	64"	60"	934 lbs.

Custom Size	Approval Signature is required.
-------------	---------------------------------

*Clear opening for sizes greater than 48" x 48" on page 3.



800-554-6077
 sales@activarcpg.com
 www.activarcpg.com

9702 Newton Ave S. Bloomington, MN 55431 | Many Locations Nationwide

Distributor:	Project:
Contractor:	Approved By:
Date:	Architect:
Scale: N/A	Pages: 1 of 3
Item #:	

FLOOR DOOR - 3 HOUR FIRE-RATED FLOOR DOOR - FFD3

ADDITIONAL OPTIONS:

Self Closing Mechanism- Fusible link activates at 165°F**	SC
300 lb/ft ² live load	3C

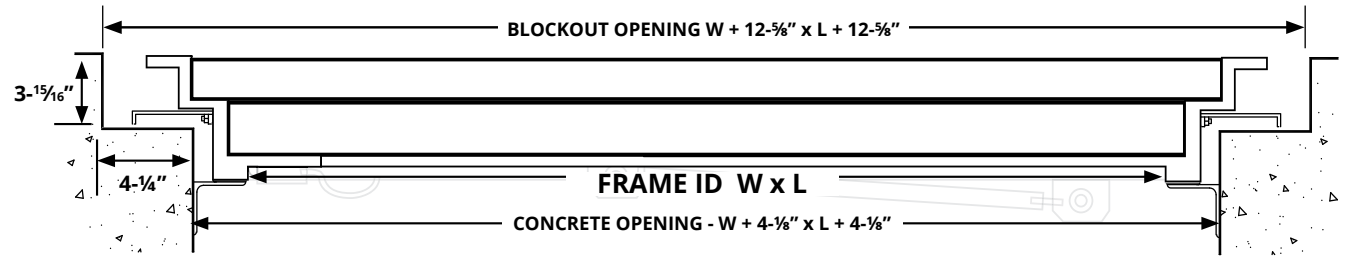
**Available on sizes 36" x 54" and smaller

Latch and Handle Options	
Recessed Stainless Steel Turn Handle Topside	T
Recessed Stainless Steel Turn Handle Topside with Detention Lock Underside	D
Padlock Hasp Underside	P
Detention Lock Topside with Operable Knob Underside	E

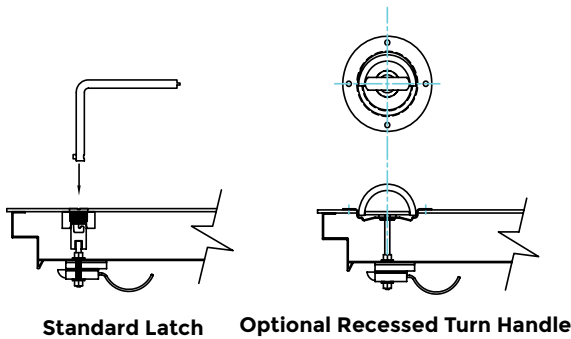
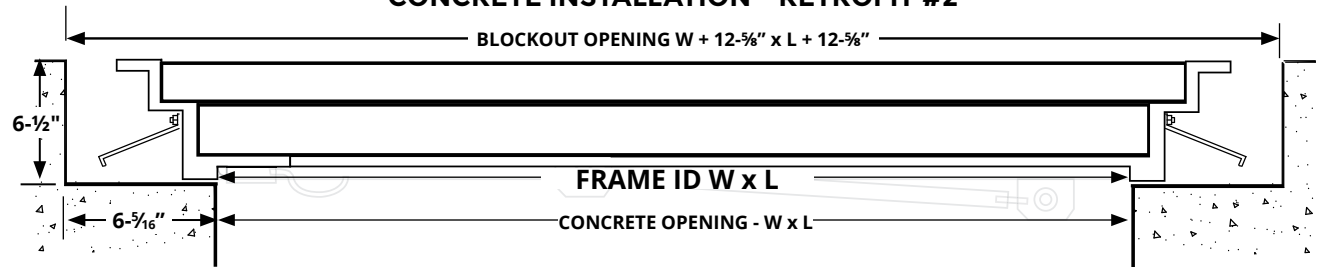
Door Panel Options	
1/4" (6.35 mm) Aluminum Smooth Door	25AS

CONCRETE INSTALLATION - RETROFIT #1

(Angle Supports by Others)



CONCRETE INSTALLATION - RETROFIT #2



Standard Latch Optional Recessed Turn Handle

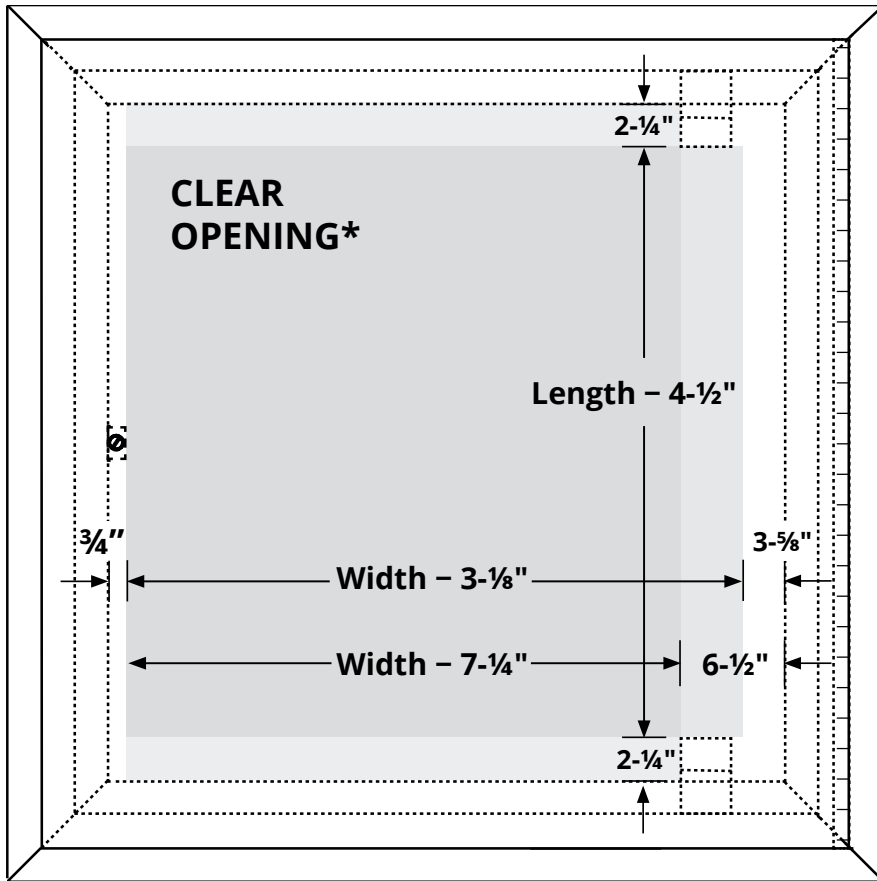


800-554-6077
 sales@activarcpg.com
 www.activarcpg.com

9702 Newton Ave S. Bloomington, MN 55431 | Many Locations Nationwide

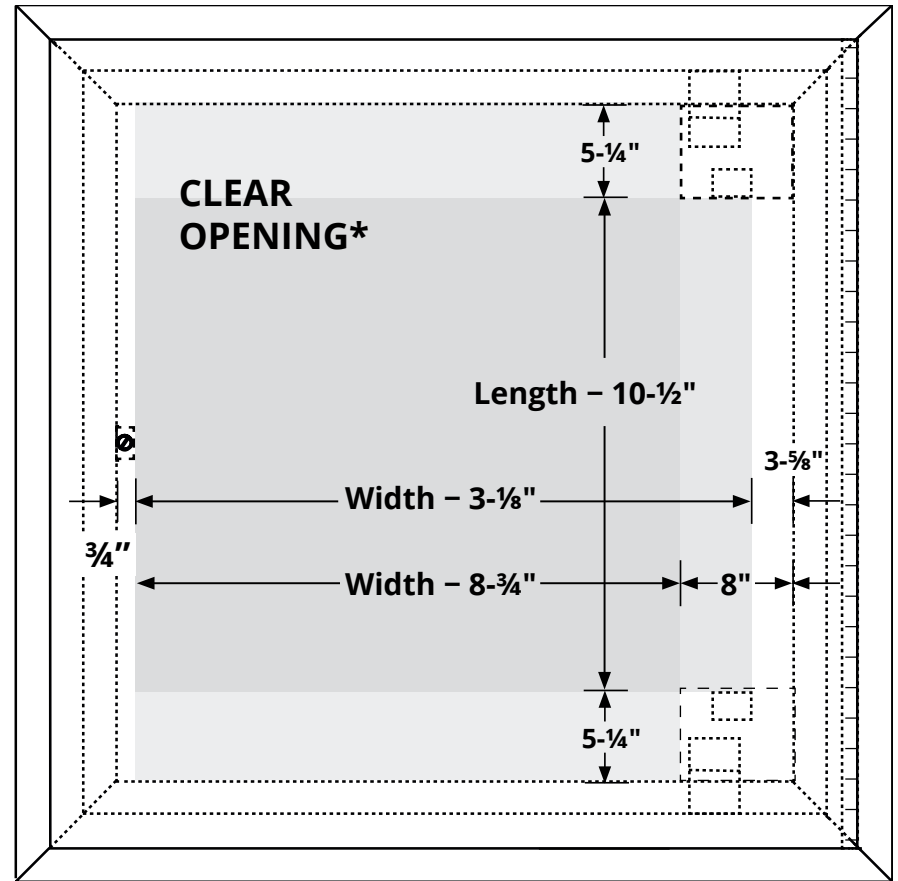
Distributor:	Project:
Contractor:	Approved By:
Date:	Architect:
Scale: N/A	Pages: 2 of 3
Item #:	

FLOOR DOOR - 3 HOUR FIRE-RATED FLOOR DOOR - FFD3 - Clear Openings



Single Cylinder Brackets

For dimensions smaller than 48" x 48"



Dual Cylinder Brackets

For 48" x 48" or larger sq ft



800-554-6077
 sales@activarcpg.com
 www.activarcpg.com

9702 Newton Ave S. Bloomington, MN 55431 | Many Locations Nationwide

Distributor:		Project:
Contractor:		Approved By:
Date:		Architect:
Scale: N/A	Pages: 3 of 3	Item #: