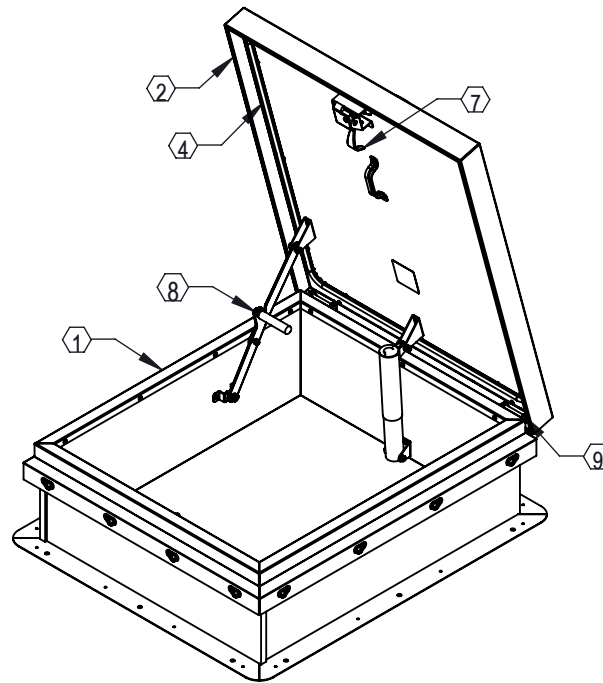
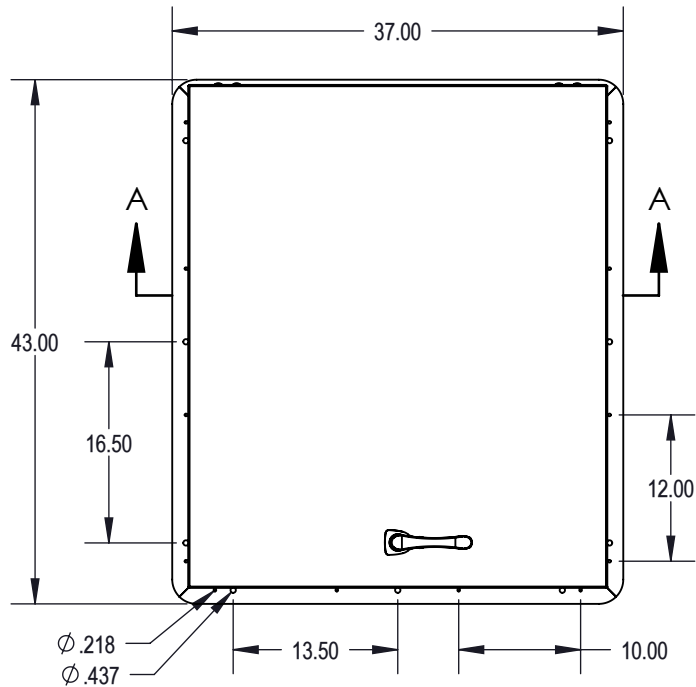


**ROOF HATCH - Diamond Series™** - ROOF HATCH, DIAMOND SERIES 36 X 30 (RHR-1) | GALV STEEL, RED TEXTURED, 3/4" WOOD NAILER



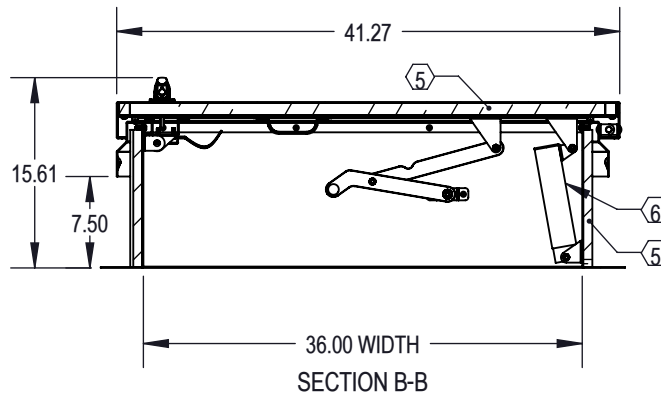
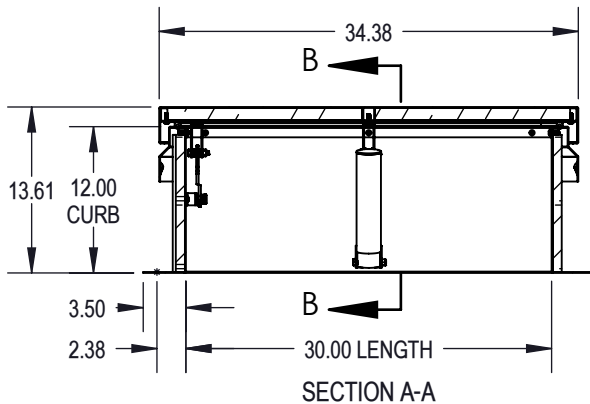
**SPECIFICATIONS:**

1. Curb: 14 gauge galvanized steel single wall curb and counterflashing with Diamond Grip.
2. Cover: 14 gauge galvanized steel formed, welded cover with 22 gauge liner, tested to support a live load of 40psf.
3. Finish: Red, textured powder coat paint.
4. Gasket: Continuous, weatherproof EPDM sponge rubber adhesive-backed seal.
5. Insulation: 1" polyisocyanurate in cover with thermal resistance R-6, 3/4" wood pine in curb.
6. Spring: Counterbalanced compression springs contained in clear zinc-plated steel cylinders.
7. Latch: Clear zinc-plated steel slam latch with inside and outside handles and padlock hasps. Tested to 50psf wind uplift.
8. Hold Open Arm: Clear zinc-plated automatic locking hold open arm with red vinyl grip for one handed door operation.
9. Hinge: Heavy duty clear zinc-plated steel pintle hinge.

**Notes:**

For pitched roofs up to 7:12, mount hinge side parallel to slope.  
 Door opens 75°  
 Clear Opening: 25" X 24"  
 Weight: 159lbs

Diamond Series™ is a trademark of Activar Construction Products Group Inc.



**MODEL #:** RHDG-1RT-IW



9702 Newton Ave S. Bloomington, MN 55431 | 10 Locations Nationwide

800-554-6077 952-835-2218 sales@activarcpg.com www.activarcpg.com

|              |               |                                    |
|--------------|---------------|------------------------------------|
| Distributor: |               | Project:                           |
| Contractor:  |               | Approved By:                       |
| Date:        | Quantity:     | Architect:                         |
| Scale: 1:16  | Pages: 1 OF 1 | Drawing #: RHDG-1RT-IW-SUBMITTAL_A |