

# SUBMITTAL: RHG-STH™ - GALVANIZED ROOF HATCH W/ SAFETY RAIL

The Model RHG Series with an integrated safety railing provides a complete solution in a single unit. JL roof hatches are weather-resistant, insulated and easy to operate.

### Features

- Designed with corner brackets welded to the counterflashing for easy assembly and installation of the safety railing in the field.
- Roof hatch with railing is sold as one unit.
- Complies with OSHA CFR 29-1910.29 when ordered with self-closing rigid gate

### Product Details:

#### RHG ROOF HATCH:

**Material:** 14 gauge galvanized steel.

**Finish:** Gray textured powder coat paint.

**Curb:** 12" single wall curb with 3-5/8" wide flange with holes for securing to roof deck.

**Cover:** 14 gauge galvanized steel, with 22 gauge galvanized steel liner. EPDM gasket seal.

**Insulation:** 1" Fiberboard insulation in curb and 1" mineral wool in cover.

**Hardware:** Heavy-duty hinge, pin and fastening hardware are zinc-plated steel. Heavy gauge, automatic hold-open arm with red vinyl grip for opening and closing.

**Spring:** Counterbalanced spring(s) in cylinders for lift assist.

**Latch:** Zinc-coated exterior and interior handles with interior and exterior padlock hasp.

**Load/Deflection:** Roof hatch cover has been tested and approved to support a minimum live load of 40 lbs/ft<sup>2</sup> with a maximum deflection of 1/150th of the span, maximum negative load of 50 lbs/ft<sup>2</sup> wind uplift, and 110 mph wind load when cover is in upright position.

#### RAILING:

**Certifications:** When ordered with optional rigid gate, the railing meets **OSHA 1910.29** requirement for safe egress and ingress through rooftop hatch openings.

**Material:** 1.66" O.D. galvanized steel tubing.

**Finish:** Safety yellow powder coat paint.

**Hardware:** Zinc-plated steel nuts, bolts and washers and 3/16" ASTM proof coil chain with hoops for securing.

#### OPTIONAL FEATURES AT ADDITIONAL COST:

\_\_\_ **Rigid Galvanized Steel Self-closing Gate** –SHG-2436

\_\_\_ **Stainless Steel Hardware:** Hinges, exterior handle, inside locking handle.

\_\_\_ **Energy Efficient Polyisocyanurate Insulation:** 1 1/2" polyiso insulation on curb (R-9.6), 3/4" polyiso in cover (R5)

\_\_\_ **Energy Efficient Polyisocyanurate Insulation:** 2 1/4" polyiso insulation on curb (R-13.6), 3/4" polyiso in cover (R5)


\_\_\_ Optional colors: \_\_\_ **WH** White Hammertone \_\_\_ **RH** Red Hammertone

\_\_\_ **LP-4, LP-5, LP6,** Ladder Posts (see separate submittals for more information)

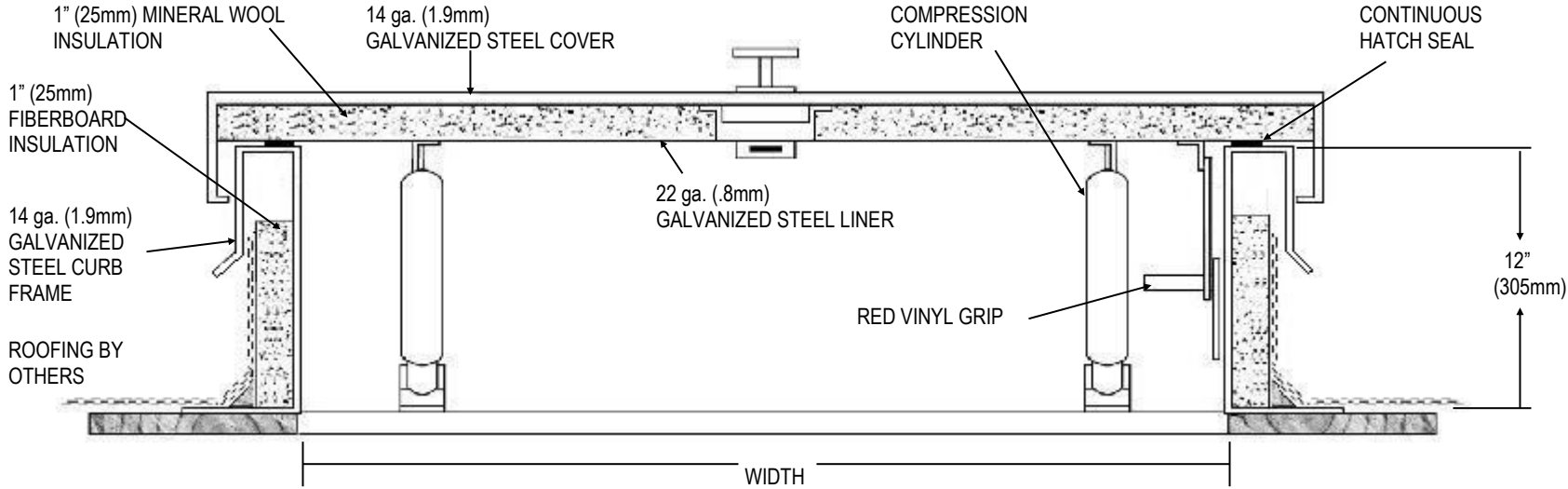


RHG-1-STH  
Shown with  
Optional Gate

QTY	MODEL	CURB OPENING		APPROX SHIPPING WEIGHT
		Width	Length	
	RHG-1-STH	2' 6"	3' 0"	216 lbs
	RHG-2-STH	4' 6"	2' 6"	280 lbs
	RHG-3-STH	8'	2'6"	497 lbs
	RHG-4-STH	3' 0"	3' 0"	253 lbs
	RHG-5-STH	4' 0"	4' 0"	335 lbs

 <p><b>ACTIVAR INC.</b> CONSTRUCTION PRODUCTS GROUP</p> <p>RHG, RHG-STH AND SAF-T-Hatch ARE TRADEMARK OF ACPG PLEASE DOWNLOAD MOST CURRENT SUBMITTAL FROM WEBSITE BEFORE ORDERING</p>	Distributor:	Quantity:
	Contractor:	Approved By:
	Model #:	Architect:
	Project:	Date: © 2018 Activar Construction Products Group, Inc.

HEADQUARTERS: 9702 NEWTON AV S, BLOOMINGTON, MN 55431 PH: 800-554-6077 FAX: 952-835-2218 EMAIL: SALES@ACTIVARCPG.COM WWW.ACTIVARCPG.COM  
 MANUFACTURING: COMMERCE, CA & BLOOMINGTON MN • WAREHOUSES: LANCASTER PA, ATLANTA GA, CHICAGO IL, SEATTLE WA, DALLAS TX, OMAHA NE, FARGO ND, FT MYERS FL 12/21/2018



**Rail Supports are Welded to Curb**