

FAHRENHEIT SERIES™ DOUBLE DOOR SMOKE VENTS - RVF

Double door smoke vents automatically open during a fire with a heat responsive device, releasing harmful smoke and fumes. Smoke vents are referenced in International Building Code Section 410 for stages, platforms and technical production areas and Section 910 for smoke and heat removal in storage and warehouse occupancies.

Material: Curb is 14 gauge galvanized steel and cover is 11 gauge aluminum extrusion with 24 gauge galvanized steel liner.

Finish: Silver prime double coat.

Gasketing: Continuous gasket door seal.

Insulation: 1" rigid fiberboard in curb and 1" fiberglass in covers.

Hinges: Heavy-duty hinges.

Operation: Torsion springs automatically open covers when 165°F fusible link melts or with exterior pull handle and shock absorbers control the speed of opening.

Certifications: UL 793 listed and labeled up to maximum 48" x 96".

Performance: Covers shall open against 10 psf snow/wind load. Vent assembly rated for 40 psf live load. Covers remain closed under 30 psf wind uplift force.

Sizes: Minimum 48" x 48", Maximum: 60" x 96", (Sizes over 48" x 96" are not UL listed).




UL Listed Options:

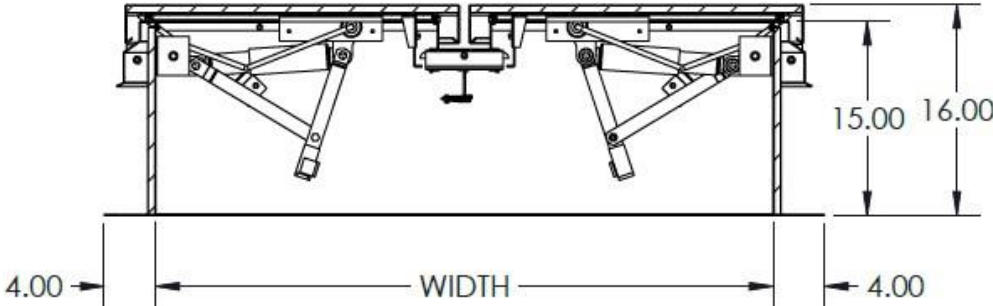
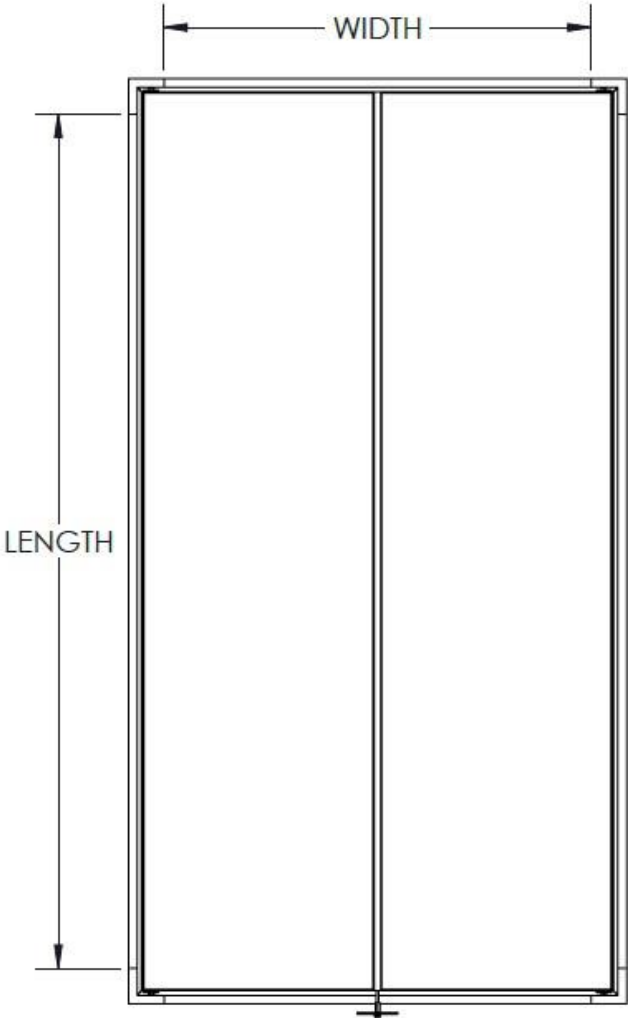
- Interior pull handle only (I)
- Interior and exterior pull handles (B)
- Fusible links °F: 212°(2), 280°(3), 350°(4), 360°(5), 370°(6), 386°(7), 450°(8)
- McCabe link 24VDC (L); 165°F(1) 212°F(2) 285°F(3)
- McCabe link 120VAC (H); 165°F(1) 212°F(2) 285°F(3)
- Curb-mount (CM)
- Double-wall curb (CD)
- Standing seam curb: (CMx) Manufacturer & Model _____
- Curb height from 16" to 24" (H16 - H24) _____
- Curb flange from 3" to 12" (CF3 - CF12) _____
- Polyisocyanurate insulation in curb: 1" R-6 (IL), 2" R-12 (IT)
- Polyisocyanurate insulation in curb & cover: 1" R-6 (ILL), 2" R-12 (ITT)
- Wood nailer top half of curb, polyisocyanurate bottom (IW)

Accessories Sold Separately:

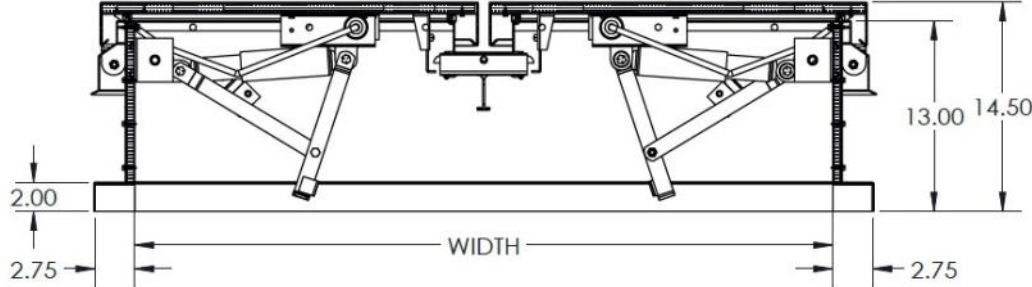
- Security Grille (RSGD): 1/2" diameter steel rod 6"x12" spacing with 1-1/4" x 1-1/4" drop in flange, powder coat white.

QTY	MODEL	PREVIOUS MODEL		CURB OPENING L X W
		JL	DUR-RED	
	RVFGA-4848PSI	UFV-1	UFV-1	48" x 48"
	RVFGA-4872PSI	UFV-2	UFV-2	48" x 72"
	RVFGA-4890PSI	UFV-3	UFV-3	48" x 90"
	RVFGA-4896PSI	UFV-4	UFV-4	48" x 96"
	RVFGA-6060PSI	UFV-5	UFV-5	60" x 60" (not UL listed)
	RVFGA-6096PSI	UFV-6	UFV-6	60" x 96" (not UL listed)
	Custom:	--	--	

 <p>DUR-RED PRODUCTS 7972 Newton Av S, Bloomington, MN 55431 MANY LOCATIONS NATIONWIDE</p>	800-554-6077	Distributor:	Project:
	sales@activarcpg.com	Contractor:	Approved By:
	www.activarcpg.com	Date:	Architect:
	Scale: N/A Pages: 1 of 2	Item #	



SINGLE WALL CURB—STANDARD



CURB MOUNT OPTION (CM) WITH DOUBLE WALL CURB