

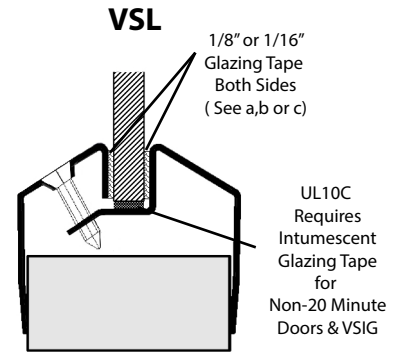
INSTALLATION INSTRUCTIONS FOR VISION LITE KITS UL LABELED PRODUCTS ONLY



Installation Instructions for Models VSL (Slimline), VSIG, Frames

UL10B or UL10C Positive Pressure:

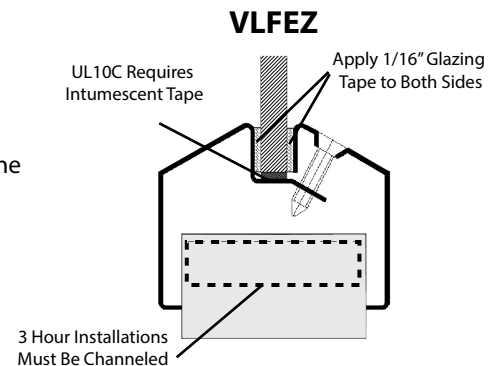
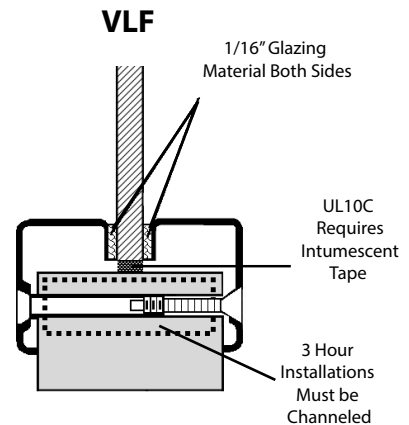
1. Read and follow the installation requirements of the door manufacturers.
2. Cut the hole in the door to correspond to the order size of the vision frame. Assure that the opening is plumb and square.
3. Prepare the cutout if required, per the door manufacturers installation instructions.
4. Carefully inspect the glass edges. Superficial chips smaller than 5/32" (4mm) are acceptable, however, deeper chips (with V profile) are not acceptable and should not be installed.
5. Install glazing tape or frame and/or glass per instructions below.
 - a. **UL10B:** Installation apply 1/16" glazing tape to glass on both sides
 - b. **UL10C for VSL (Slimline), 20-minute Wood Doors:** Use 1/8" thick glazing tape; tighten vision kit screws to 25 inch-pounds of torque. Intumescent glazing tape is not required.
 - c. **UL10C for VSL (Slimline) Non-20- Minute Doors:** Apply intumescent tape in addition to 1/16" thick glazing tape, as shown in diagrams.
 - d. **UL10C for VSIG:** Apply intumescent glazing tape, in addition to 1/16" thick glazing tape, as shown in diagrams.
6. Insert the corridor side frame in the cutout, squaring to door.
7. Insert glass into frame, seating firmly, using setting blocks as needed. Install so that the appropriate or (UL) markings on the glass remain permanently visible.
8. Inserting 2 of the screws provided in the countersunk holes, carefully align the room side of the frame to the holes in the corridor side of the frame. Screw in enough to hold frame in place for alignment, then insert the other screws lightly. Tighten the screws alternately in a criss-cross pattern to avoid putting more pressure on one side than the other. Do not tighten to the point of deflecting the frame.



Installation Instructions for Models VLF, VLFIG, VLF Shapes, VLFEZ & VLFEZIG Frames

UL10B or UL10C Positive Pressure:

1. Read and follow the installation requirements of the door manufacturers.
2. Cut the hole in the door to correspond to the order size of the vision frame. Assure that the opening is plumb and square.
3. Prepare the cutout if required, per the door manufacturers installation instructions. For UL compliance in 3 hour applications the vision kit opening must be channeled prior to vision kit installation.
4. **VLF Only:** Using the vision frame mounting hole as a template, drill holes in the door for the thru-bolt.
5. Carefully inspect the glass edges. Superficial chips smaller than 5/32" (4mm) are acceptable, however, deeper chips (with V profile) are not acceptable and should not be installed.
6. Install tape or to frame and or glass per instructions below.
 - a. **UL10B:** Installation apply 1/16" glazing tape to glass on both sides
 - b. **UL10C:** Apply intumescent glazing tape, in addition to 1/16" thick glazing tape, as shown in diagrams.
7. Insert the corridor side frame in the cutout, squaring to door.
8. Insert glass into frame, seating firmly, using setting blocks as needed. Install so that the appropriate or (UL) markings on the glass remain permanently visible.
9. Inserting 2 of the screws provided in the countersunk holes, carefully align the room side of the frame to the holes in the corridor side of the frame. Screw in enough to hold frame in place for alignment, then insert the other screws lightly. Tighten the screws alternately in acriss-cross pattern to avoid putting more pressure on one side than the other. Do not tighten to the point of deflecting the frame.



--- UL Installations Only | See Other Side for Warnock Hersey Instructions ---



INSTALLATION INSTRUCTIONS FOR VISION LITE KITS

Install only glass with the same rating as the vision frame & door in fire or impact-rated door assemblies.

14I-300 REV E

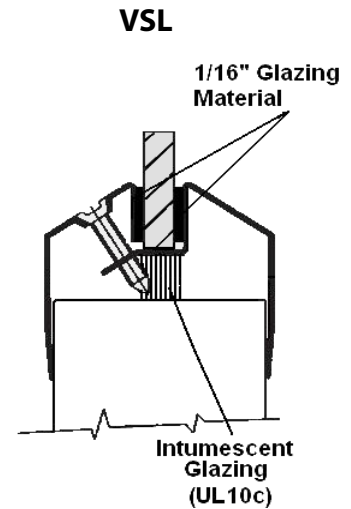
INSTALLATION INSTRUCTIONS FOR VISION LITE KITS INTERTEK WARNOCK HERSEY LABELED PRODUCTS ONLY



Installation Instructions for Models VLF-EZ, VSL (Slimline), VSIG, VLFEZIG, Frames

UL10B or UL10C Positive Pressure:

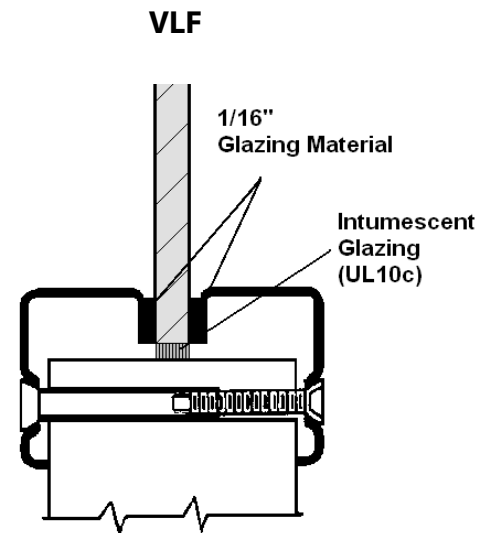
1. Read and follow the installation requirements of the door manufacturers.
2. Cut the hole in the door to correspond to the order size of the vision frame. Assure that the opening is plumb and square.
3. Prepare the cutout if required, per the door manufacturers installation instructions.
4. Carefully inspect the glass edges. Superficial chips smaller than 5/32" (4mm) are acceptable, however, deeper chips (with V profile) are not acceptable and should not be installed.
5. Install caulking, tape or compound to both sides of the frame or both sides of glass using listed and approved material appropriate for the fire rating desired.
6. **For UL10C installations only**, in 20 minute wood doors, apply additional intumescent tape to the underside of the metal retainer.
7. Insert the corridor side frame in the cutout, squaring to door.
8. Insert glass into frame, seating firmly, using setting blocks as needed. Install so that the appropriate (WHI) markings on the glass remain permanently visible.
9. Inserting 2 of the screws provided in the countersunk holes, carefully align the room side of the frame to the holes in the corridor side of the frame. Screw in enough to hold frame in place for alignment, then insert the other screws lightly. Tighten the screws alternately in a criss-cross pattern to avoid putting more pressure on one side than the other. Do not tighten to the point of deflecting the frame.



Installation Instructions for VLF, VLFIG, VLF-Shapes, VLF-SG Frames

UL10B or UL10C Positive Pressure:

1. Read and follow the installation requirements of the door manufacturers.
2. Cut the hole in the door to correspond to the order size of the vision frame. Assure that the opening is plumb and square.
3. Prepare the cutout if required, per the door manufacturers installation instructions.
4. Carefully inspect the glass edges. Superficial chips smaller than 5/32" (4mm) are acceptable, however, deeper chips (with V profile) are not acceptable and should not be installed.
5. Using the vision frame mounting holes as a template, drill holes in the door for the thru-bolts.
6. Install caulking, tape or compound to both sides of the frame or both sides of glass using listed and approved material appropriate for the fire rating desired.
7. **For UL10C installations only**, in 20 minute wood doors, apply additional intumescent tape in cutout around perimeter of glass.
8. Insert the corridor side frame in the cutout, aligning frame to the bottom of the cutout.
9. Insert glass into frame, seating firmly, using setting blocks as needed. Install so that the appropriate (WHI) markings on the glass remain permanently visible.
10. Inserting 2 of the screws provided in the countersunk holes, carefully align the room side of the frame to the holes in the corridor side of the frame. Screw in enough to hold frame in place for alignment, then insert the other screws lightly. Tighten the screws alternately in a criss-cross pattern to avoid putting more pressure on one side than the other. Do not tighten to the point of deflecting the frame.



--- Warnock Hersey Installations Only | See Other Side for UL Instructions ---



INSTALLATION INSTRUCTIONS FOR VISION LITE KITS

Install only glass with the same rating as the vision frame & door in fire or impact-rated door assemblies.

14I-300 REV E