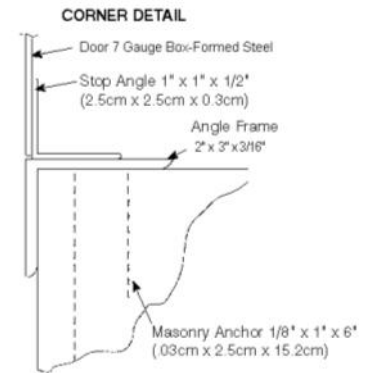
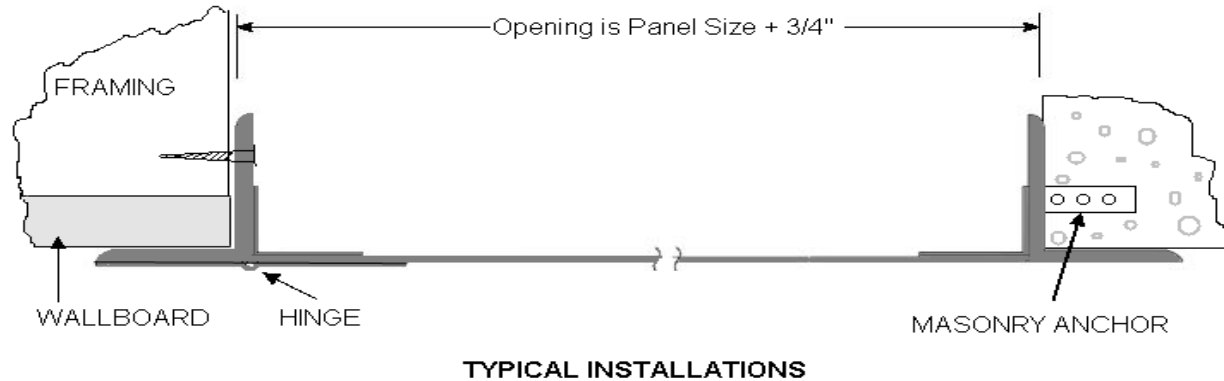


# INSTALLATION INSTRUCTIONS: SP AND HSP ACCESS PANELS



## WALLBOARD OR PLASTER INSTALLATION

1. With metal or wood framing, install a framed opening at specified location. Open dimensions should be 3/4" larger than door size of panel; i.e., for a 12" x 12" panel, opening should be 12-3/4" x 12-3/4".
2. Frame above and below access panel. On panels larger than 16" x 16", install a double stud on both sides in the same manner as at passage panels.
3. Drill holes 3/8" or larger in the panel frame, 2 per side.
4. Place panel in position in opening and mark location of attachments on framing using holes in sides of panel frame as marking guide.
5. Remove panel and drill holes through studs at marked points.
6. Place panel in position and attach with appropriate sheet metal or machine screws.
7. Check panel for freedom of movement. If it binds, shim as necessary to remove any racking of frame at attachments to framing.

## MASONRY INSTALLATION

1. Opening should be finished to dimensions 3/4" larger than door size of panel; i.e., for a 12" x 12" panel, opening should be 12-3/4" x 12-3/4".
2. Install according to following:  
**INSTALLING IN EXISTING WALL:** If wall is already in place, drill holes 3/8" or larger in the panel frame, 2 per side. Position panel in opening provided and mark location of attachments on wall using holes as marking guides. Remove panel and install expansion shields in wall at marked points. Place panel in position (leaving masonry anchors flat against frame) and attach with appropriate sheet machine screws or equivalent.  
**INSTALLING IN NEW CONSTRUCTION:** If wall is under construction at time panel is being installed, masonry anchors (unfolded from frame) will serve for attachment.
4. Check panel for freedom of movement. If it binds, shim as necessary to remove any racking of frame at attachments to masonry.



JL INDUSTRIES

ACTIVAR  
INC.

www.activarcpg.com

Construction Products Group

## INSTALLATION INSTRUCTIONS: SP AND HSP ACCESS PANELS

Due to the wide variety of wall assemblies, these drawings are representative of a typical installation scenario, but are not meant to be a guideline for wall construction. Please consult your local AHJ for current wall construction codes.