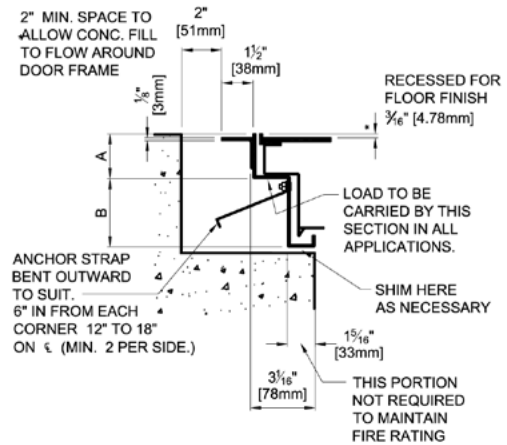
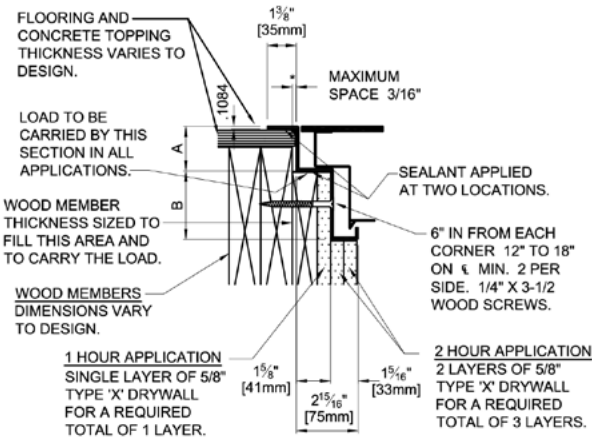
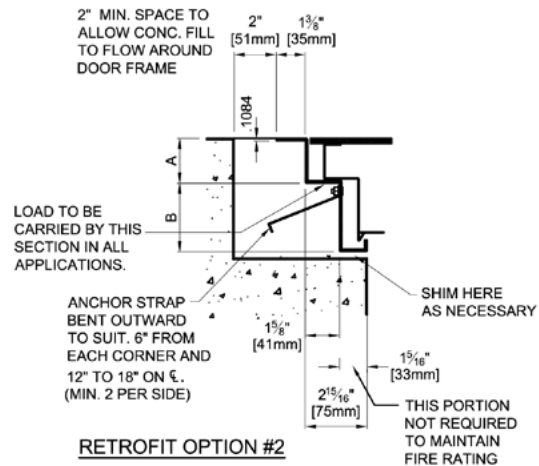
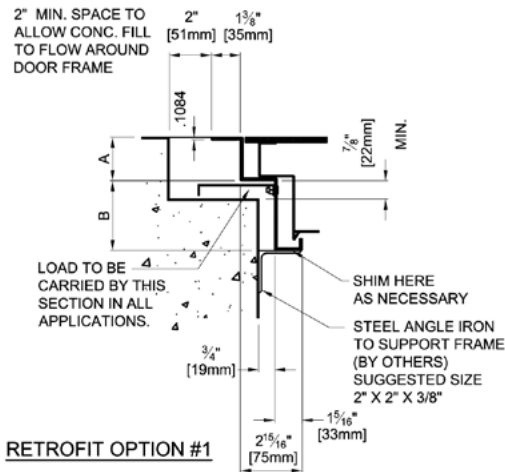


GENERAL:

Floor doors are designed for safe and easy access using ladders and stairways. The following instructions are general guideline recommendations. Fire Rated Floor Doors are intended for dry location use only and are NOT to be exposed to rain or wet environments.

Caution: The floor door cover is spring loaded, so standard practice precautions should be taken when handling. Be sure the floor door is in a horizontal, upright position prior to opening cover.



FOR USE WITH RETROFIT OPTIONS #1, 2, AND WOOD FRAMING APPLICATION #1.

| FIRE RATING | DIMENSION | |
|-------------|-----------|---------|
| | A | B |
| 1 HOUR | 2 1/16" | 2 3/16" |
| 2 HOUR | 2 1/16" | 3 3/16" |
| 3 HOUR* | 2 1/16" | 4 1/16" |

*WOOD FRAMING APPLICATION N/A FOR 3 HR

FOR USE WITH RETROFIT OPTIONS #1-R, 2-R AND WOOD FRAMING APPLICATION #1-R

| FIRE RATING | DIMENSION | |
|-------------|-----------|---------|
| | A | B |
| 1 HOUR | 2 3/8" | 2 3/16" |
| 2 HOUR | 2 3/8" | 3 3/16" |

ACTIVAR
CONSTRUCTION PRODUCTS GROUP INC.

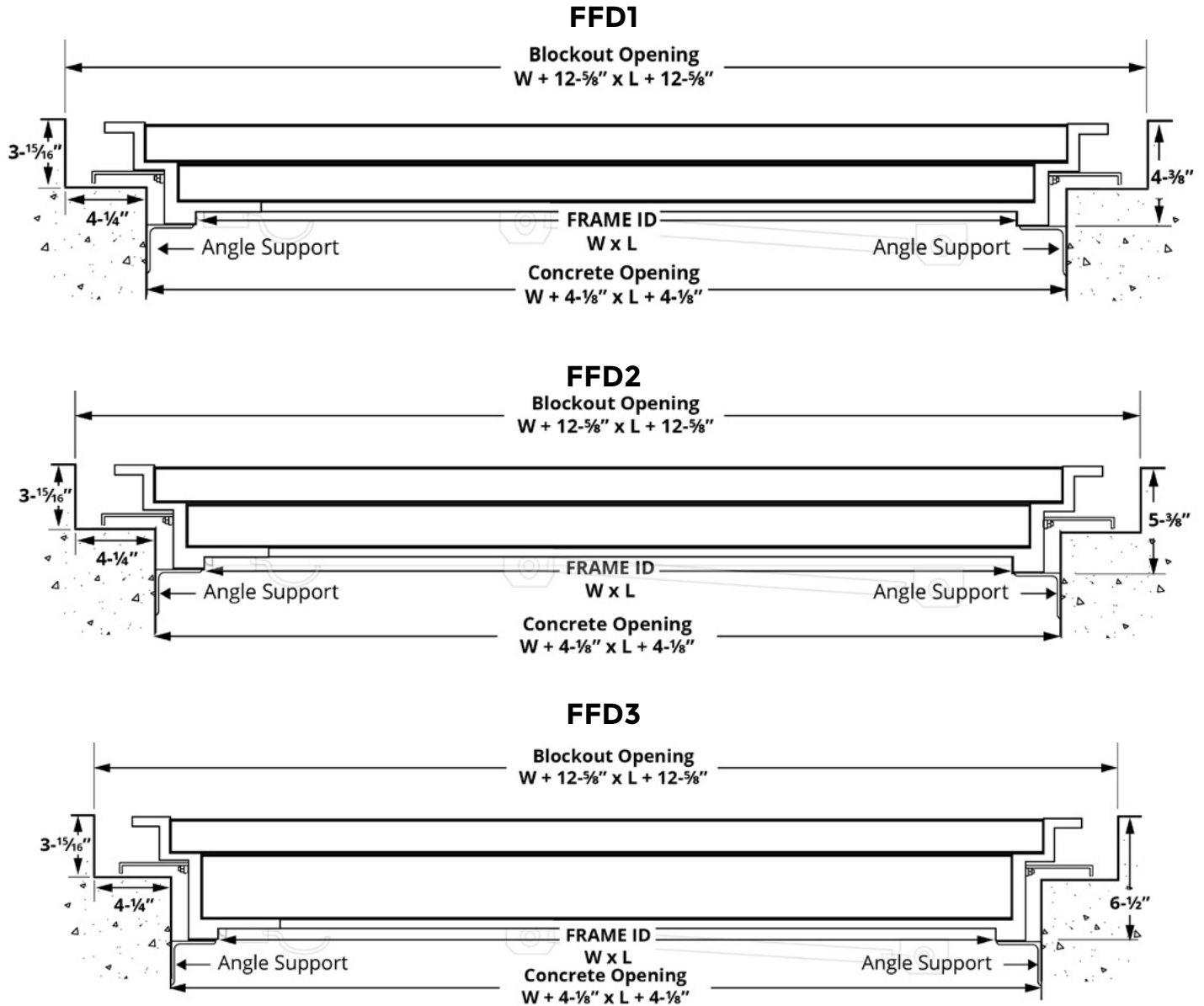


800-554-6077
sales@activarcp.com
www.activarcp.com

9702 Newton Ave S. Bloomington, MN 55431 | Many Locations Nationwide

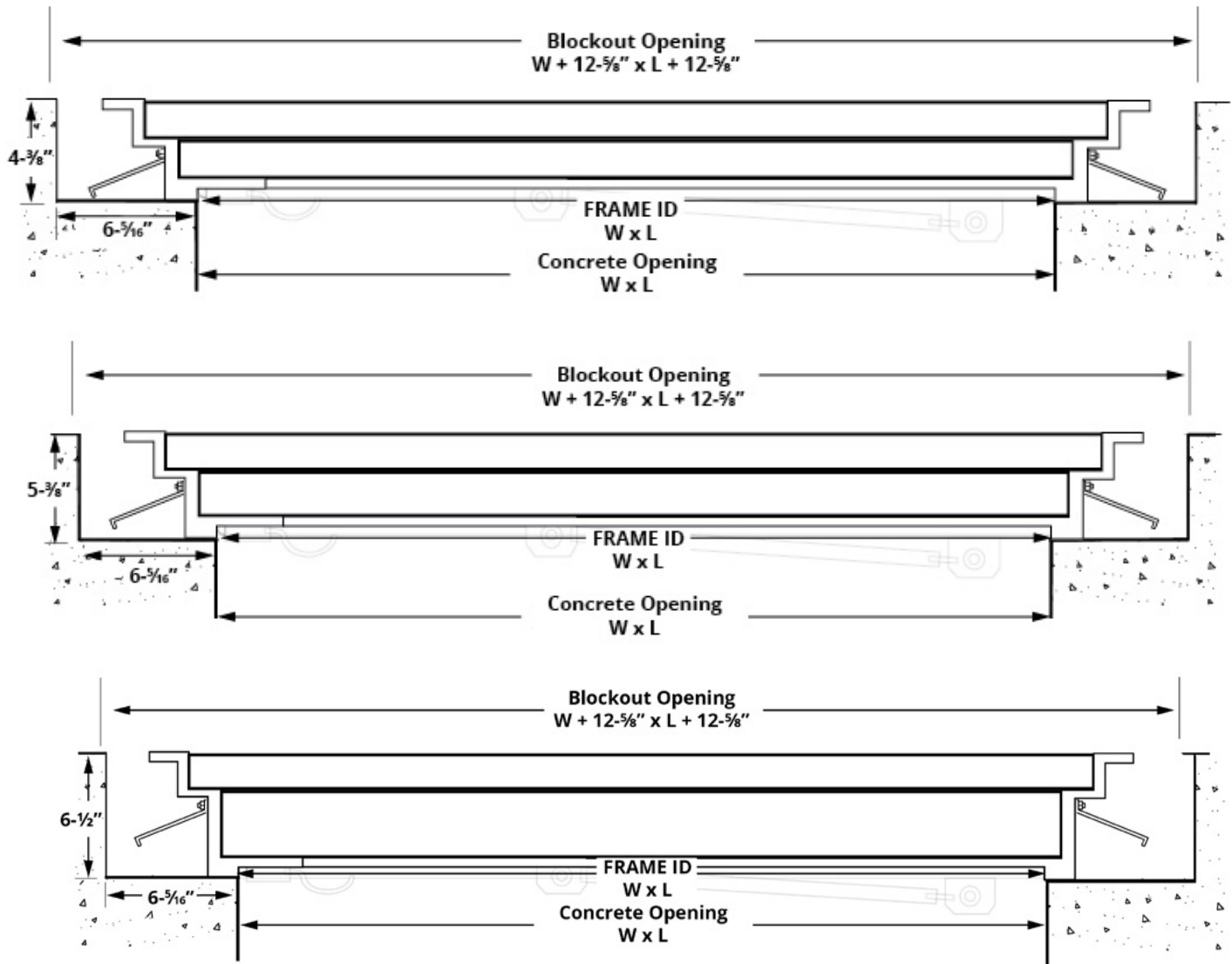
Installation & Maintenance Guide

Concrete Installation- Retrofit #1



1. The Fire Rated Floor Door Concrete Installation- Retrofit #1 requires angle supports and is cast in concrete with masonry anchors (extend as required). Verify that the outside floor door frame has a coating (bituminous) to protect the aluminum from reacting with wet concrete.
2. Install steel angle iron supports to support the frame (by others, suggested size 2"x2"x3/8"), adding shims if necessary. Verify that the floor door is square and straight with the cover in the closed position, prior to pouring concrete.
3. Pour concrete to finish flush with the top edge of the unit, making sure to clean any excess concrete to prevent staining on aluminum surfaces. Allow the concrete to fully cure (up to 7 days) before operating.

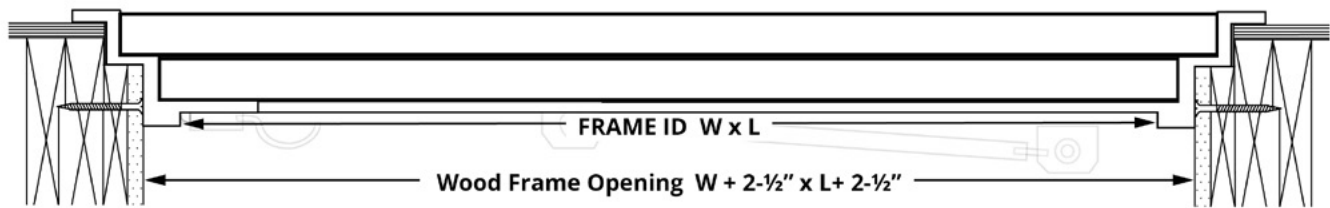
Concrete Installation- Retrofit #2



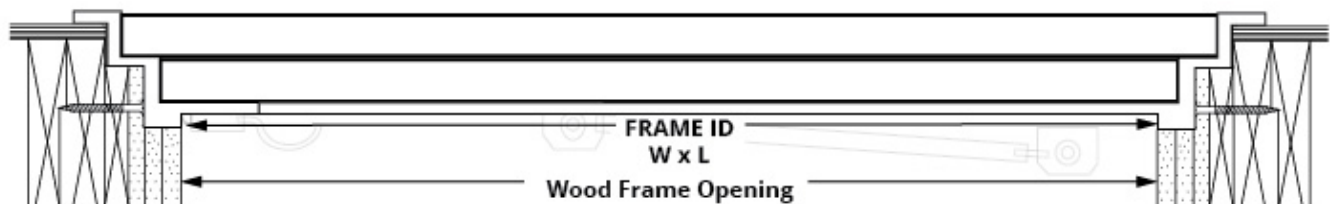
1. The Fire Rated Floor Door Concrete Installation- Retrofit #2 is cast in concrete with anchor straps (extend as required). Verify that the outside floor door frame has a coating (bituminous) to protect the aluminum from reacting with wet concrete.
2. Install floor door and shim as necessary so the floor door is square and straight. Also make sure cover is in closed position, prior to pouring concrete.
3. Pour concrete to finish flush with the top edge of the unit, making sure to clean any excess concrete to prevent staining on aluminum surfaces. Allow the concrete to fully cure (up to 7 days) before operating the floor door.

Optional Wood Frame Installation

FFD1



FFD2



1. The Fire Rated Floor Door for Wood Framing Installation is designed to be installed into a wood frame with Type X fire rated drywall.

For FDD1- 1 hour rating:

Single layer of 5/8" Type X drywall for a required total of 1 layer

For FDD2- 2 hour rating:

Additional two layers of 5/8" Type X drywall for a required total of 3 layers

2. Install frame and verify that the floor door is square and level, shim if necessary.
3. Floor door frame is pre-drilled with mounting holes. Attach frame using provided 1/4" x 3-1/2" long wood screws.

OPERATION:

The basic components for floor door operation include a slam latch with plug (FFD2-SSP), L handle external key, gas springs to provide lift assistance and hinges.

- **Opening:** To open the floor door cover; use the slam latch lever handle from the interior or the L handle key (FFD2-BROH) from the exterior.
- **Closing:** To close the floor door, slowly close the cover making sure the slam latch engages the catch.

MAINTENANCE:

- Manually operate at least once a year to check functionality of moving parts such as latches, hinges & handles.
- Test outside and inside manual operation of latches.
- Lubricate moving parts such as hinges and latches with a silicone spray as required to maintain a smooth opening/closing of door.