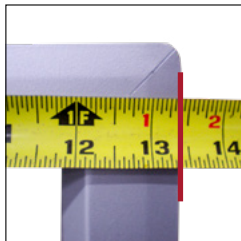
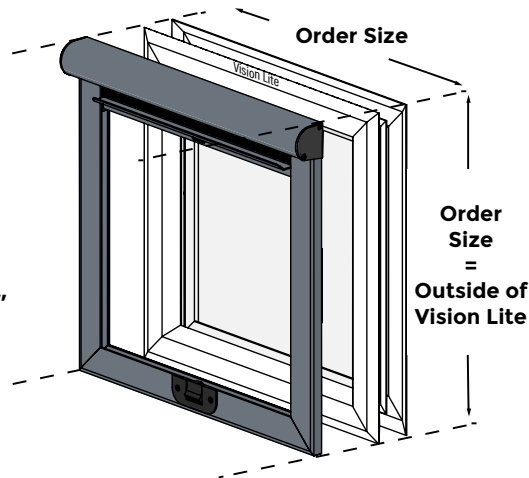
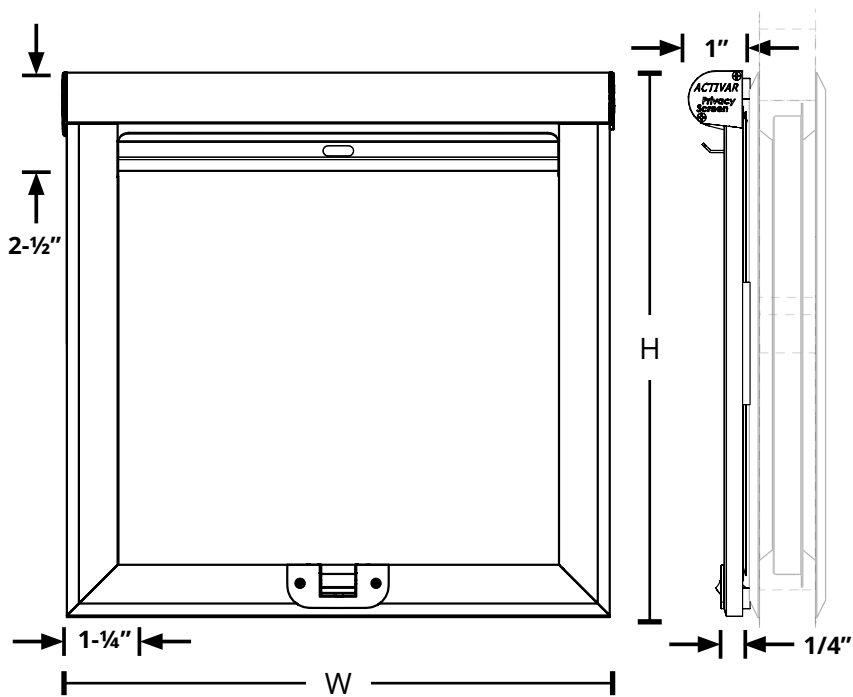


PRIVACY PRODUCTS - VELO™ PRIVACY SCREEN - PS - Vision Lite Add-On

An attractive, cost-effective way to add privacy to existing vision lites. The Velo Privacy Screen provides complete black-out and attaches in seconds. UL-Listed for up to 90 minute doors.



Example Shown : 13-³/₈" Wide

Measure to outside dimensions of vision lite frame. Example shown on right is a VSL722G with a measured outside height of 23-³/₈"



POWDER COAT FINISHES			
Mineral Bronze	B	Silver	SI
Other Color			

FRACTION CODES							
A	B	C	D	F	G	H	J
0	1/4"	1/2"	3/4"	1/8"	3/8"	5/8"	7/8"

SPECIFICATIONS:

Material: 18 gauge aluminum frame

Standard Finish: Mineral bronze powder coat

Construction: 1-¹/₄" x 1/4" frame with radius corners, mitered and welded. 7/8" deep channels prevent light leaks.

Roller: Spring-operated roller in an aluminum housing with black plastic end caps. A black plastic push-button latch releases the shade to retract into the roller housing.

Shade: Durable, 100% opaque, black, light blocking fabric material attached to a rigid pull-down bar.

Mounting: 1/2" wide adhesive backed hook and loop fastener must attach to a metal vision lite, and not the door, a wood lite, or to wood stops.

Rating: UL tested to maintain existing door, vision lite and glazing fire ratings up to 90 minutes for steel and wood doors, both temp-rise and non-temp-rise per ANSI/UL 10B (CAN/ULC-S104) and ANSI/UL 10C.

Sizes: Order in 1/8" Increments.

UL-Listed Sizes: Must have overall area (WxH) no less than 178.9 square inches and no larger than 1141.3 square inches.

Max UL-Listed Size: 31-³/₈" x 36-³/₈"

QTY	MODEL	SIZE W x H (FOR VSL & VLFEZ MODELS)
	PS-07G28G	7- ³ / ₈ " x 28- ³ / ₈ " (VSL 627 & VLFEZ 627)
	PS-08G23G	8- ³ / ₈ " x 23- ³ / ₈ " (VSL 722 & VLFEZ 722)
	PS-25G31G	25- ³ / ₈ " x 31- ³ / ₈ " (VSL 2430 & VLFEZ 2430)
	PS-31G36G	31- ³ / ₈ " x 36- ³ / ₈ " (VSL 3035 & VLFEZ 3035)
CUSTOM PS		W H

Non UL-Listed Size:

Minimum: 5" x 7" Maximum: 31-³/₈" x 37-³/₈"

	PSNR-31G37G	31- ³ / ₈ " x 37- ³ / ₈ " (VSL 3036 & VLFEZ 3036)
CUSTOM PSNR		W H

Part Number:

PS-(Width)(Fraction Code)(Height)(Fraction Code)(Finish)

Approval Signature is required.



9702 Newton Ave S. Bloomington, MN 55431 | Many Locations Nationwide

800-554-6077
sales@activarcpg.com
www.activarcpg.com

Distributor:

Project:

Contractor:

Approved By:

Date:

Architect:

Scale: N/A

Pages: 1 of 1

Item #: