

SUBMITTAL: ACADEMY ALUMINUM FX2™ COLOR ANODIZED FIRE-RATED EXTINGUISHER CABINETS

The Academy Series Features Aluminum Trim and Door, with 10 Door Styles & Optional Anodized Colors.

Door & Trim Construction: Dark bronze anodized aluminum. Flush cabinet doors with a 5/8" door stop are attached by a continuous hinge and equipped with zinc-plated handle and roller catch. All models have 1-3/4" wide trim on frame and 1-1/4" trim on doors with glazing. Rolled edge models are constructed of mechanically-joined extrusions, except for models 1897 and 1097 which are die formed. *Die formed corners provide an attractive, rounded edge - unique to the JL line of cabinets!*

Trim Style & Depth: Recessed 3/8" flat trim, Semi Recessed - 1-1/4", 1-1/2" Square Edge or 2-1/2", 3", 4", 4-1/2" Rolled Edge (4" has recessed FLUSHC pull).

Tub: The tub is constructed of cold rolled steel with white powder-coat finish standard. Tub forms a flange to cover cut edges of wallboard material. Fire-resistant material is attached to the exterior of the tub. **Please note that dimensions for wall opening have changed in 2015. See Chart on pg 2.**

Fire-Rating: Fire-FX2™ cabinets are fabricated in accordance with the UL label for one and two hour combustibile and non-combustibile wall system building codes. The fire testing has met the requirement of ANSI/UL 1479 (ASTM –E814) and ULC/CAN S115 for membrane and penetration firestops. Installation instructions must be strictly adhered to in order to obtain the fire rating.



Dark Bronze
Please Request a Sample of the Anodized Finish
Finish Shown Above is Example Only

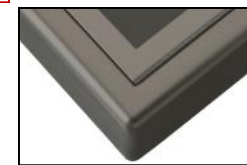
STEP 1: SELECT MODEL NUMBER AND QUANTITY ON CHART (refer to chart on pg 2)

- A. Determine Trim Style according to wall depth.
- B. Determine Tub I.D. according to size most suited for extinguisher and wall opening.

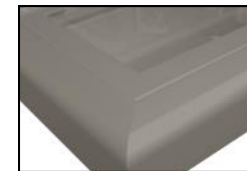
STEP 2: SELECT DOOR STYLE WITH HANDLE

- | | |
|---|---|
| <input type="checkbox"/> F Full Glazing | <input type="checkbox"/> L22 Solid with SAF-T-LOK™ |
| <input type="checkbox"/> G Full Glazing with SAF-T-LOK™ | <input type="checkbox"/> L24 Sold with Cylinder Lock - No Handle |
| <input type="checkbox"/> D Horizontal Duo Panel | <input type="checkbox"/> V Vertical Duo |
| <input type="checkbox"/> E Horizontal Dual Panel with SAF-T-LOK™ | <input type="checkbox"/> W Vertical Duo with SAF-T-LOK™ |
| <input type="checkbox"/> S21 Solid Door | <input type="checkbox"/> B Solid with 2" x 4" View Window & SAF-T-LOK™ |

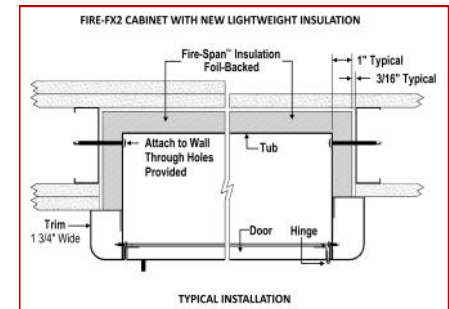
[BIM Objects for REVIT® Platform](#)



Formed Rolled Edge
1097 and 1897



Extruded Rolled Edge
2-1/2", 4" and 4-1/2"



STEP 3: SELECT DOOR GLAZING

- | | | |
|--|---|---|
| <input type="checkbox"/> 10 Clear Acrylic | <input type="checkbox"/> 15 Bronze Acrylic | <input type="checkbox"/> 17 Clear Tempered Glass |
| <input type="checkbox"/> 13 Clear Wire Glass with Safety Film | <input type="checkbox"/> 16 Gray Acrylic | <input type="checkbox"/> 18 Laminated Safety Glass |

STEP 4: OPTIONAL FEATURES AT ADDED COST (SELECT ANY)

- | | | | |
|---|--|--|--|
| <input type="checkbox"/> Optional Tub Color: ___ Black ___ Red | <input type="checkbox"/> Black Vertical FE Letters LDCVBF | <input type="checkbox"/> Black Vertical Decal LDVBF | <input type="checkbox"/> Powder Coat Paint ___ White ___ Bronze ___ Other Code |
| <input type="checkbox"/> Futura "Fire" Pull ___ Mill Alum ___ Red ___ White | <input type="checkbox"/> Red Vertical FE Letters LDCVRF | <input type="checkbox"/> Red Vertical Decal LDVRF | |
| <input type="checkbox"/> Flush Pull Handle | <input type="checkbox"/> White Vertical FE Letters LDCVWF | <input type="checkbox"/> White Vertical Decal LDVWF | Etched Lettering in Glass or Engraved Lettering on Metal
(submit separate submittal for above option) |
| <input type="checkbox"/> Polished Chrome Lever Handle (PUCH) | <input type="checkbox"/> Black Horizontal FE Letters LDCHBF | <input type="checkbox"/> Black Horizontal Decal LDHBF | |
| <input type="checkbox"/> (CA) Commander Alarm | <input type="checkbox"/> Red Horizontal FE Letters LDCHRF | <input type="checkbox"/> Red Horizontal Decal LDHRF | |
| <input type="checkbox"/> (BA) Brigadier Alarm More Alarm Information | <input type="checkbox"/> White Horizontal FE Letters LDCHWF | <input type="checkbox"/> White Horizontal Decal LDHWF | |
| | | | |

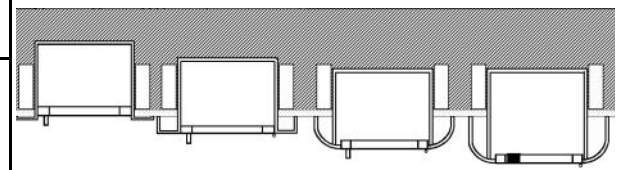
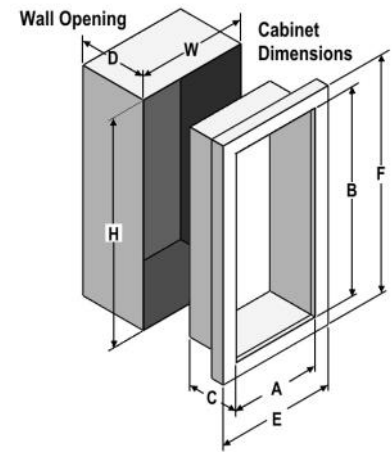
For More Information on Options See Other Submittals: ,
[Handles & Levers](#) [Decals/Die Cuts & Wall Signs](#)

 ACTIVAR INC. CONSTRUCTION PRODUCTS GROUP ACADEMY FX IS A TRADEMARK OF ACPG PLEASE DOWNLOAD MOST CURRENT SUBMITTAL FROM WEBSITE BEFORE ORDERING	Distributor:	Quantity:
	Contractor:	Approved By:
	Model #:	Architect:
	Project:	Date: © 2017 Activar Construction Products Group, Inc
HEADQUARTERS: 9702 NEWTON AV S, BLOOMINGTON, MN 55431 PH: 800-554-6077 FAX: 952-835-2218 EMAIL: SALES@ACTIVARCPG.COM WWW.ACTIVARCPG.COM MANUFACTURING: COMMERCE, CA & BLOOMINGTON MN • WARE HOUSES: FT MYERS FL, ATLANTA GA, DALLAS TX, SEATTLE WA, LANCASTER PA, FARGO ND, OMAHA NE 6/13/2017		

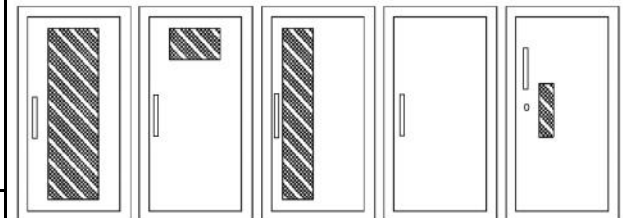
TRIM & DOOR SERIES #			Tub I.D.			Frame O.D.		FX Wall Opening New Dimensions 2015 - Please Note!			Fits Extinguishers View Submittal
QTY	Model	Trim Style	A	B	C	E	F	W	H	D	
	8195	Flat 3/8" Trim●	9	18	5 1/2	12 3/8	21 3/8	11 5/16	20 5/16	6 7/16	Cosmic & Galaxy 2 1/2-6 (6 lb must be mounted to tub wall), Mercury 2 1/2- 5
	8196	1 1/2 Square●	9	18	5 1/2	12 3/8	21 3/8	11 5/16	20 5/16	5 3/16	
	8197	2 1/2 Rolled●	9	18	5 1/2	12 3/8	21 3/8	11 5/16	20 5/16	4 5/8	
	1790	2-1/4 Square	10 1/2	24	5	13 7/8	27 3/8	12 13/16	26 5/16	4	Cosmic/Gal/Merc 2-5
	1895	Flat 3/8" Trim●	10 1/2	24	5 1/2	13 7/8	27 3/8	12 13/16	26 5/16	6 7/16	Cosmic & Galaxy 2 1/2-6 (6 lb must be mounted to tub wall), Mercury 2 1/2-5
	1896	1 1/2 Square●	10 1/2	24	5 1/2	13 7/8	27 3/8	12 13/16	26 5/16	5 3/16	
	1897	3 Formed Rolled ●	10 1/2	24	5 1/2	13 7/8	27 3/8	12 13/16	26 5/16	3 5/8	
	1892	4 Rolled/Flush Pull●	10 1/2	24	5 1/2	13 7/8	27 3/8	12 13/16	26 5/16	1 7/8	
	1898	4 1/2 Rolled	10 1/2	24	5 1/2	13 7/8	27 3/8	12 13/16	26 5/16	2 12/16	
	1095	Flat 3/8" Trim●	10 1/2	24	6	13 7/8	27 3/8	12 13/16	26 5/16	6 15/16	Cosmic & Galaxy 2 1/2-10 Mercury 2 1/2-5, Sentinel 5
	1096	1 1/2 Square●	10 1/2	24	6	13 7/8	27 3/8	12 13/16	26 5/16	5 11/16	
	1097	3 Formed Rolled ●	10 1/2	24	6	13 7/8	27 3/8	12 13/16	26 5/16	4	
	1092	4 Rolled/Flush Pull●	10 1/2	24	6	13 7/8	27 3/8	12 13/16	26 5/16	2 3/8	
	1098	4 1/2 Rolled	10 1/2	24	6	13 7/8	27 3/8	12 13/16	26 5/16	3 5/16	
	2095	Flat 3/8" Trim●	12	27	7 3/4	15 3/8	30 3/8	14 5/16	29 5/16	8 9/16	Any Cosmic, Galaxy, Mercury, Saturn or Grenadier P (20 lb must be mounted on back of tub), Sentinel 5 & 10
	2096	1 1/4 Square●	12	27	7 3/4	15 3/8	30 3/8	14 5/16	29 5/16	7 9/16	
	2097	2 1/2 Rolled●	12	27	7 3/4	15 3/8	30 3/8	14 5/16	29 5/16	7 1/16	
	2092	4 Rolled/Flush Pull●	12	27	7 3/4	15 3/8	30 3/8	14 5/16	29 5/16	4 1/8	
	2098	4 1/2 Rolled	12	27	7 3/4	15 3/8	30 3/8	14 5/16	29 5/16	5 1/16	
	3095	Flat 3/8" Trim●	16	32	7 3/4	19 3/8	35 3/8	18 5/16	34 5/16	8 9/16	Any Cosmic, Galaxy, Mercury, Saturn or Grenadier P (20 lb must be mounted on back of tub), Sentinel 5-15, 272
	3096	1 1/4 Square●	16	32	7 3/4	19 3/8	35 3/8	18 5/16	34 5/16	7 9/16	
	3097	2 1/2 Rolled●	16	34	7 3/4	19 3/8	35 3/8	18 5/16	34 5/16	7 1/16	
	3092	4 Rolled/Flush Pull●	16	32	7 3/4	19 3/8	35 3/8	18 5/16	34 5/16	4 1/8	
	3098	4 1/2 Rolled	16	32	7 3/4	19 3/8	35 3/8	18 5/16	34 5/16	5 1/16	
	4095	Flat 3/8" Trim●	20	27	7 3/4	23 3/8	30 3/8	22 5/16	29 5/16	8 9/16	Two each of: any Cosmic, Galaxy, Mercury, Saturn or Grenadier P (20 lb must be mounted on back of tub), Sentinel 5
	4096	1 1/4 Square●	20	27	7 3/4	23 3/8	30 3/8	22 5/16	29 5/16	7 9/16	
	4097	2 1/2 Rolled●	20	27	7 3/4	23 3/8	30 3/8	22 5/16	29 5/16	7 1/16	
	4092	4 Rolled/Flush Pull●	20	27	7 3/4	23 3/8	30 3/8	22 5/16	29 5/16	4 1/8	
	4098	4 1/2 Rolled	20	27	7 3/4	23 3/8	30 3/8	22 5/16	29 5/16	5 1/16	



New Lighter, FX2
Insulation



Flat 3/8" Trim 1-1/2" Square Trim 2-1/2", 3" Rolled Edge 4", 4-1/2" Rolled with Recessed Pull Standard



F - Full glass with pull handle
D - Horizontal duo panel with pull handle
V - Vertical duo panel with pull handle
S21 - Solid with pull handle
L22 - Solid with pull handle above Saf-T-Lok
L24 - Solid with cylinder key lock and no handle
G - Full glass with pull handle above Saf-T-Lok (not shown)
E - Horizontal duo panel with pull handle above Saf-T-Lok (not shown)
W - Vertical duo panel with pull handle above Saf-T-Lok (not shown)
B - Small view window with pull handle, and Saf-T-Lok

ADA Cabinet Mounting Height: Standard Pull on G, E, W, L22 and B Door Styles with Saf-T-Lok are 3 5/8" Higher than Door Center, so Allow for that When Mounting Cabinet. Standard Pull with No Lock or ADA Recessed Pull are Centered on Door.

[VIEW ALL DOOR STYLES ONLINE](#)

● Cabinets with 4" or less projection [ADA Information](#)