

SUBMITTAL: ACADEMY™ COLOR ANODIZED ALUMINUM FIRE EXTINGUISHER CABINETS

The Academy Series Features Anodized Aluminum Trim and Door, with 10 Door Styles.

Door & Trim Construction: Dark bronze anodized aluminum. Flush cabinet doors with a 5/8" door stop are attached by a continuous hinge and equipped with zinc-plated handle (painted to match finish) and roller catch. All models have 1-3/4" wide trim on frame and 1-1/4" trim on doors with glazing.

Trim Style & Depth: *Recessed* 3/8" flat trim, *Semi Recessed* - 1-1/4", 1-1/2" Square Edge or 2-1/2", 3", 4", 4-1/2" Rolled Edge (4" has recessed pull). *Surface-mount* models have a square edge. Rolled edge models are constructed of mechanically-joined extrusions, except for models 1897 and 1097 which are die formed. *Die formed corners provide an attractive, rounded edge - unique to the JL line of cabinets!*

Tub: The tub is constructed of cold rolled steel with white powder-coat finish standard. Surface-mounted models have aluminum tub.

Fire-Rated Option Available: Yes - [See separate Submittal Form.](#)



Dark Bronze

STEP 1: SELECT MODEL NUMBER AND QUANTITY ON CHART (refer to chart on pg 2)

- A. Determine Trim Style according to wall depth.
- B. Determine Tub I.D. according to size most suited for extinguisher and wall opening.

STEP 2: SELECT DOOR STYLE WITH HANDLE

Check one box below Examples on Page 2

- | | |
|---|---|
| <input type="checkbox"/> F Full Glazing | <input type="checkbox"/> L22 Solid with SAF-T-LOK™ |
| <input type="checkbox"/> G Full Glazing with SAF-T-LOK™ | <input type="checkbox"/> L24 Sold with Cylinder Lock - No Handle |
| <input type="checkbox"/> D Horizontal Duo Panel | <input type="checkbox"/> V Vertical Duo |
| <input type="checkbox"/> E Horizontal Dual Panel with SAF-T-LOK™ | <input type="checkbox"/> W Vertical Duo with SAF-T-LOK™ |
| <input type="checkbox"/> S21 Solid Door | <input type="checkbox"/> B Solid with 2" x 4" View Window & SAF-T-LOK™ |

STEP 3: SELECT DOOR GLAZING

(Check one box below)

- | | | |
|--|---|---|
| <input type="checkbox"/> 10 Clear Acrylic | <input type="checkbox"/> 15 Bronze Acrylic | <input type="checkbox"/> 17 Clear Tempered Glass |
| <input type="checkbox"/> 13 Clear Wire Glass with Safety Film | <input type="checkbox"/> 16 Gray Acrylic | <input type="checkbox"/> 18 Laminated Safety Glass |

STEP 4: SELECT ANODIZING

- [View Anodized Finish](#) Dark Bronze (pulls are painted to match anodized finish)

STEP 5: OPTIONAL FEATURES AT ADDED COST (SELECT ANY)

- | | | | |
|---|--|--|--|
| <input type="checkbox"/> Optional Tub Color: ___ Black ___ Red | <input type="checkbox"/> Black Vertical FE Letters LDCVBF | <input type="checkbox"/> Powder Coat Paint ___ White ___ Bronze ___ Other Code | <input type="checkbox"/> Red Horizontal Decal LDHRFE |
| <input type="checkbox"/> Futura "Fire" Pull ___ Mill Alum ___ Red ___ White | <input type="checkbox"/> Red Vertical FE Letters LDCVRF | <input type="checkbox"/> White Horizontal FE Letters LDCHWFE | <input type="checkbox"/> White Horizontal Decal LDHWFE |
| <input type="checkbox"/> Flush Pull Handle | <input type="checkbox"/> White Vertical FE Letters LDCVWFE | <input type="checkbox"/> Black Vertical Decal LDVBF | <input type="checkbox"/> (CA) Commander Alarm |
| <input type="checkbox"/> Polished Chrome Lever Handle (PUCH) | <input type="checkbox"/> Black Horizontal FE Letters LDCHBF | <input type="checkbox"/> Red Vertical Decal LDVRF | <input type="checkbox"/> (BA) Brigadier Alarm |
| <input type="checkbox"/> Aluminum Tub for Recessed Models - Clear Anodized | <input type="checkbox"/> Red Horizontal FE Letters LDCHRFE | <input type="checkbox"/> White Vertical Decal LDVWFE | <input type="checkbox"/> (SA) Strobe Alarm (Surface mount models) |
| | | <input type="checkbox"/> Black Horizontal Decal LDHBF | |

Please Request a Sample of the Anodized Finish Finish Shown Above is Examples Only




Formed Rolled Edge 1097 and 1897

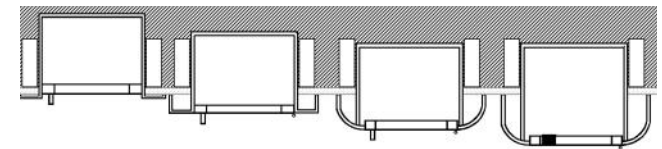
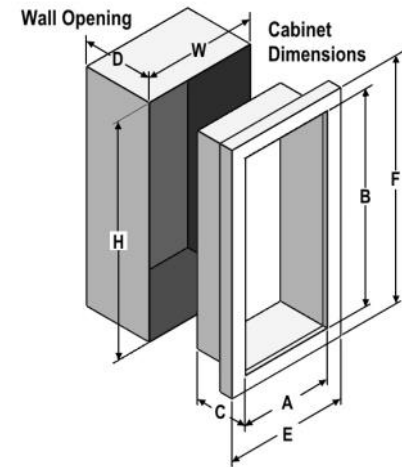


Extruded Rolled Edge 2-1/2", 4" and 4-1/2"

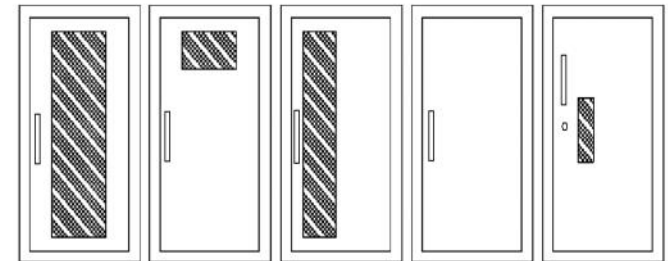
For More Information on Options See Other Submittals: [Decals/Die Cuts & Wall Signs](#), [More Alarm Information](#)

 <p>ACTIVAR INC. CONSTRUCTION PRODUCTS GROUP</p> <p>ACADEMY AND SAF-T-LOK ARE TRADEMARKS OF ACPG PLEASE DOWNLOAD MOST CURRENT SUBMITTAL FROM WEBSITE BEFORE ORDERING</p>	Distributor:	Quantity:
	Contractor:	Approved By:
	Model #:	Architect:
	Project:	Date:

TRIM & DOOR SERIES #			Tub I.D.			Frame O.D.		Wall Opening			Fits Extinguishers View Submittal
QTY	Model	Trim Style "	A	B	C	E	F	W	H	D	
	8195	Flat 3/8" Trim ●	9	18	5 1/2	12 3/8	21 3/8	10	19	5 3/8	Cosmic & Galaxy 2 1/2-6 (6 lb must be mounted on tub) Mer- cury 2 1/2- 5
	8196	1 1/2 Square●	9	18	5 1/2	12 3/8	21 3/8	10	19	4 1/8	
	8197	2 1/2 Rolled●	9	18	5 1/2	12 3/8	21 3/8	10	19	3 3/4	
	8193	Surf. Mtd Sq	12 3/16	21 3/16	6	12 3/8	21 3/8	--	--	--	Cosmic/Gal/Merc 2-5
	1790	2-1/4 Square ●	10 1/2	24	5	13 7/8	27 3/8	11 1/2	25	3	Cosmic & Galaxy 2 1/2-6 (6 lb must be mounted on tub) Mercury 2 1/2-5
	1895	Flat 3/8" Trim ●	10 1/2	24	5 1/2	13 7/8	27 3/8	11 1/2	25	5 3/8	
	1896	1 1/2 Square●	10 1/2	24	5 1/2	13 7/8	27 3/8	11 1/2	25	4 1/8	
	1897	3 Rolled●	10 1/2	24	5 1/2	13 7/8	27 3/8	11 1/2	25	2 5/8	
	1892	4 Rolled/Flush Pull●	10 1/2	24	5 1/2	13 7/8	27 3/8	11 1/2	25	1 7/8	
	1898	4 1/2 Rolled	10 1/2	24	5 1/2	13 7/8	27 3/8	11 1/2	25	1-3/4	
	1095	Flat 3/8" Trim ●	10 1/2	24	6	13 7/8	27 3/8	11 1/2	25	5 7/8	
	1096	1 1/2 Square●	10 1/2	24	6	13 7/8	27 3/8	11 1/2	25	4 5/8	Cosmic & Galaxy 2 1/2-10 Mercury 2 1/2-5 , Sentinel 5
	1097	3 Rolled●	10 1/2	24	6	13 7/8	27 3/8	11 1/2	25	3 1/8	
	1092	4 Rolled/Flush Pull●	10 1/2	24	6	13 7/8	27 3/8	11 1/2	25	2 3/8	
	1098	4 1/2 Rolled	10 1/2	24	6	13 7/8	27 3/8	11 1/2	25	2 1/4	
	1093	Surf Mtd. Sq	13 11/16	27 3/16	6 1/2	13 7/8	27 3/8	--	--	--	
	2095	Flat 3/8" Trim ●	12	27	7 3/4	15 3/8	30 3/8	13	28	7 5/8	Any Cosmic. Galaxy, Mercury, Saturn or Grenadier P (20 lb must be mounted on back of tub), Sentinel 5 & 10
	2096	1 1/4 Square●	12	27	7 3/4	15 3/8	30 3/8	13	28	6 5/8	
	2097	2 1/2 Rolled●	12	27	7 3/4	15 3/8	30 3/8	13	28	6	
	2092	4 Rolled/Flush Pull●	12	27	7 3/4	15 3/8	30 3/8	13	28	4 1/8	
	2098	4 1/2 Rolled	12	27	7 3/4	15 3/8	30 3/8	13	28	4	
	2093	Surf Mtd. Sq	15 3/16	30 3/16	8 1/4	15 3/8	30 3/8	--	--	--	
	3095	Flat 3/8" Trim ●	16	32	7 3/4	19 3/8	35 3/8	17	33	7 5/8	Any Cosmic. Galaxy, Mercury, Saturn or Grenadier P (20 lb must be mounted on back of tub), Sentinel 5-15, 272
	3096	1 1/4 Square●	16	32	7 3/4	19 3/8	35 3/8	17	33	6 5/8	
	3097	2 1/2 Rolled●	16	32	7 3/4	19 3/8	35 3/8	17	33	6	
	3092	4 Rolled/Flush Pull●	16	32	7 3/4	19 3/8	35 3/8	17	33	4 1/8	
	3098	4 1/2 Rolled	16	32	7 3/4	19 3/8	35 3/8	17	33	4	
	3093	Surf Mtd. Sq	19 3/16	35 3/16	8 1/4	19 3/8	35 3/8	--	--	--	
	4095	Flat 3/8" Trim ●	20	27	7 3/4	23 3/8	30 3/8	21	28	7 5/8	Two each of: any Cosmic, Galaxy, Mercury, Saturn or Grenadier P (20 lb must be mounted on back of tub), Sentinel 5
	4096	1 1/4 Square●	20	27	7 3/4	23 3/8	30 3/8	21	28	6 5/8	
	4097	2 1/2 Rolled●	20	27	7 3/4	23 3/8	30 3/8	21	28	6	
	4092	4 Rolled/Flush Pull●	20	27	7 3/4	23 3/8	30 3/8	21	28	4 1/8	
	4098	4 1/2 Rolled	20	27	7 3/4	23 3/8	30 3/8	21	28	4	
	4093	Surf Mtd. Sq	23 3/16	30 3/16	8 1/4	23 3/8	30 3/8	--	--	--	



3/8" Flat Trim 1-1/2" Square Trim 2-1/2", 3" Rolled Edge 4", 4 1/2" Rolled Edge with Recessed Pull Std



F - Full glass with pull handle
G - Full glass with pull handle above Saf-T-Lok (not shown)
D - Horizontal duo panel with pull handle
E - Horizontal duo panel with pull handle above Saf-T-Lok (not shown)
V - Vertical duo panel with pull handle
W - Vertical duo panel with pull handle above Saf-T-Lok (not shown)
S21 - Solid with pull handle
L22 - Solid with pull handle above Saf-T-Lok
L24 - Solid with cylinder key lock and no handle
B - Small view window with pull handle, and Saf-T-Lok

[VIEW ALL DOOR STYLES ONLINE](#)

ADA Cabinet Mounting Height: Standard Pull on G, E, W, L22 and B Door Styles with Saf-T-Lok are 3 5/8" Higher than Door Center, so Allow for that When Mounting Cabinet. Standard Pull with No Lock or Flush Pull are Centered on Door.

● Cabinets that Meet 4" Maximum ADA Projection Requirement

[ADA Information](#)