

SUBMITTAL: AMBASSADOR™ STEEL FX2™ FIRE EXTINGUISHER CABINETS - TRIMLESS RECESSED

The Ambassador Series is a Durable, Attractive Steel Cabinet with Powder-coat Finish that Stands up to Long term Use. The FX2 Fire-Rated Trimless Series is Designed to be Installed Between the layers of Drywall or Under Plaster for a Flush, Finished Surface.

Door Construction: Cold rolled steel with white powder-coated finish standard. Flush cabinet doors are attached by a continuous hinge and equipped with zinc-plated handle and roller catch.

Flange for Drywall, Stucco or Plaster: 1-1/2" wide recessed flange is to be concealed by drywall, stucco or plaster. 5/8" Drywall - first layer of drywall is to be installed before cabinet, second layer over flange after cabinet is installed. 3/4" depth Plaster or Stucco - fire-rated substrate is to be installed before cabinet, and plaster applied after cabinet is installed.

Tub: The tub is constructed of cold rolled steel with white powder-coat finish standard. Tub forms a flange to cover cut edges of wallboard material. Fire-resistant material is attached to the exterior of the tub.

Fire-Rating: Fire-FX2™ cabinets are fabricated in accordance with the UL label for one and two hour combustible and non-combustible wall system building codes. The fire testing has met the requirement of ANSI/UL 1479 (ASTM –E814) and ULC/CAN S115-for membrane and penetration firestops. Installation instructions must be strictly adhered to in order to obtain the fire rating.



1014DF10FX2

STEP 1: SELECT MODEL NUMBER AND QUANTITY ON CHART (refer to chart on pg 2)

STEP 2: SELECT DOOR STYLE WITH HANDLE

Check one box below Examples on Page 2

- | | |
|--|---|
| <input type="checkbox"/> F Full Glazing in 1-1/4" wide Frame | <input type="checkbox"/> L22 Solid with SAF-T-LOK™ |
| <input type="checkbox"/> G Full Glazing with SAF-T-LOK™ in 1-1/4" Frame | <input type="checkbox"/> L24 Sold with Cylinder Lock - No Handle |
| <input type="checkbox"/> D Horizontal Duo Panel | <input type="checkbox"/> V Vertical Duo |
| <input type="checkbox"/> E Horizontal Duo Panel with SAF-T-LOK™ | <input type="checkbox"/> W Vertical Duo with SAF-T-LOK™ |
| <input type="checkbox"/> S21 Solid Door | <input type="checkbox"/> B Solid with 2" x 4" View Window & SAF-T-LOK™ |



STEP 3: SELECT DOOR GLAZING


(Check one box below)

- | | | |
|--|---|---|
| <input type="checkbox"/> 10 Clear Acrylic | <input type="checkbox"/> 15 Bronze Acrylic | <input type="checkbox"/> 17 Clear Tempered Glass |
| <input type="checkbox"/> 13 Wire Glass with Safety Film | <input type="checkbox"/> 16 Gray Acrylic | <input type="checkbox"/> 18 Laminated Safety Glass |

STEP 4: OPTIONAL FEATURES AT ADDED COST (SELECT ANY)

- | | | | |
|---|---|---|--|
| <input type="checkbox"/> Futura "Fire" Pull ___ Mill Alum ___ Red ___ White | <input type="checkbox"/> Black Vertical FE Letters LDCVBFE | <input type="checkbox"/> Black Vertical Decal LDVBFE | <input type="checkbox"/> (CA) Commander Alarm |
| <input type="checkbox"/> Flush Recessed Pull Handle (PRH) | <input type="checkbox"/> Red Vertical FE Letters LDCVRFE | <input type="checkbox"/> Red Vertical Decal LDVRFE | <input type="checkbox"/> (BA) Brigadier Alarm |
| <input type="checkbox"/> Polished Chrome Handle (PUCH) | <input type="checkbox"/> White Vertical FE Letters LDCVWFE | <input type="checkbox"/> White Vertical Decal LDVWFE | <input type="checkbox"/> Etched or Engraved Lettering in Glass or Metal - Attach Separate Submittal with Details |
| <input type="checkbox"/> Optional Colors: Tub, Hinge and Door will be painted in a single color - select from below. | <input type="checkbox"/> Black Horizontal FE Letters LDCHBFE | <input type="checkbox"/> Black Horizontal Decal LDHBFE | <input type="checkbox"/> Optional Lock for G, E, W, L22, B: _____ |
| ___ Sand ___ AMS Beige ___ SC Flat Beige ___ Red | <input type="checkbox"/> Red Horizontal FE Letters LDCHRFE | <input type="checkbox"/> Red Horizontal Decal LDHRFE | |
| ___ Gray ___ Bronze ___ Silver ___ Black ___ Flat Black | <input type="checkbox"/> White Horizontal FE Letters LDCHWFE | <input type="checkbox"/> White Horizontal Decal LDHWFE | |

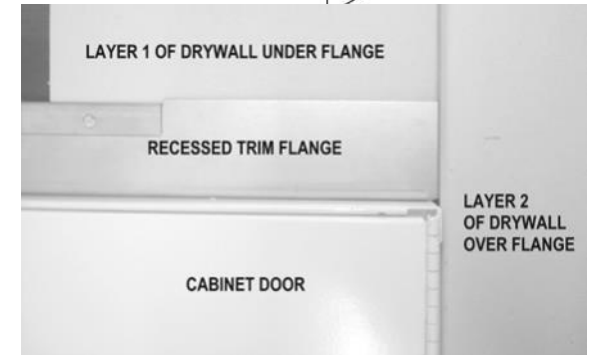
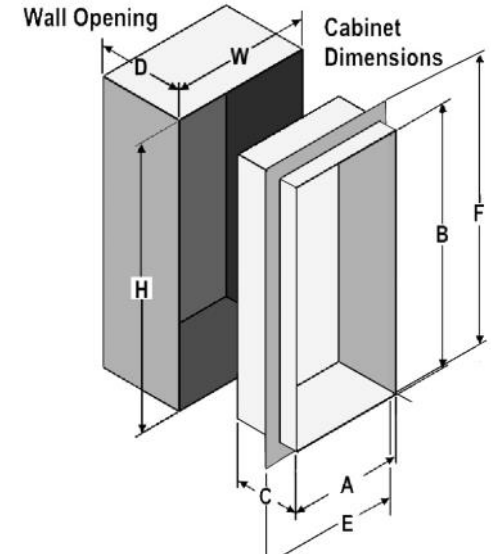
For More Information on Options See Website

 <p>AMBASSADOR™ IS A TRADEMARK OF ACPG DOWNLOAD CURRENT SUBMITTAL BEFORE ORDERING</p>	Distributor:	Quantity:
	Contractor:	Approved By:
	Model #:	Architect:
	Project:	Date:

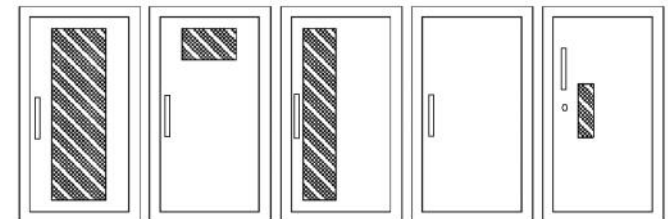
SUBMITTAL: AMBASSADOR STEEL FX2™ FIRE EXTINGUISHER CABINETS - TRIMLESS RECESSED

TRIM & DOOR SERIES #			Tub I.D.			Frame O.D.		Wall Opening			Fits Fire Extinguishers
QTY	Model	Trim Style	A Width	B Height	C Depth	E Width	F Height	W Width	H Height	D Depth	
TRIMLESS CABINET WITH RECESSED FLANGE FOR INSTALLATION OF 5/8" DRYWALL OVER AND UNDER TRIM Example of Part # 1014HF10FX2											
	8114H_FX2	Trimless Drywall	9	18	5 1/2	12 1/8	21 1/8	11 5/16	20 5/16	6 3/16	Cosmic & Galaxy 2 1/2-6 (6lb must be mounted on cabinet tub), Mercury 2 1/2- 5
	1014H_FX2	Trimless Drywall	10 1/2	24	6	13 5/8	27 1/8	12 13/16	26 5/16	6 11/16	Cosmic & Galaxy 2 1/2-10 Mercury 2 1/2-5 , Sentinel 5
	2014H_FX2	Trimless Drywall	12	27	7 3/4	15 1/8	30 1/8	14 5/16	29 5/16	8 7/16	Any Cosmic or Galaxy (20 lb must be mounted to back of tub), Mercury, Saturn or Grenadier P, Sentinel 5 & 10
TRIMLESS CABINET WITH RECESSED FLANGE FOR INSTALLATION OF 3/4" PLASTER OVER TRIM Example of Part # 8114DF10FX2											
	8114D_FX2	Trimless Plaster	9	18	5 1/2	12 1/8	21 1/8	11 5/16	20 5/16	6 1/16	Cosmic & Galaxy 2 1/2-6 (6lb must be mounted on cabinet tub), Mercury 2 1/2- 5
	1014D_FX2	Trimless Plaster	10 1/2	24	6	13 5/8	27 1/8	12 13/16	26 5/16	6 9/16	Cosmic & Galaxy 2 1/2-10 Mercury 2 1/2-5 , Sentinel 5
	2014D_FX2	Trimless Plaster	12	27	7 3/4	15 1/8	30 1/8	14 5/16	29 5/16	8 5/16	Any Cosmic or Galaxy (20 lb must be mounted to back of tub), Mercury, Saturn or Grenadier P, Sentinel 5 & 10

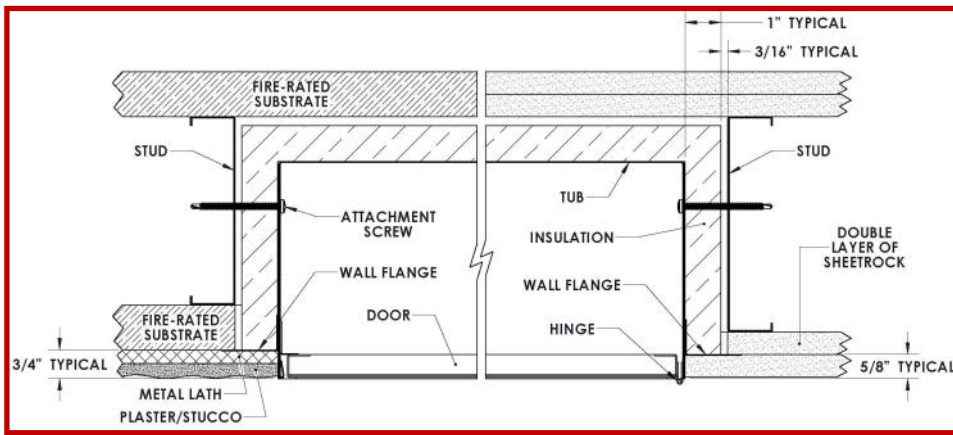
• Cabinets meet 4" ADA projection requirements.



DRYWALL INSTALLATION EXAMPLE



- F - Full glass with pull handle
- G - Full glass with pull handle and Saf-T-Lok (Not Shown)
- D - Horizontal duo panel with pull handle
- V - Vertical duo panel with pull handle
- E - Horizontal duo panel with pull handle and Saf-T-Lok. (Not Shown)
- W - Vertical duo panel with pull handle and Saf-T-Lok. (Not Shown)
- S21 - Solid with pull handle
- L22 - Solid with pull handle and Saf-T-Lok
- L24 - Solid with cylinder key lock and no handle
- B - Solid with pull handle, view window and Saf-T-Lok



ADA Cabinet Mounting
Height: Standard Pull on G, E, W, L22 and B Door Styles with Saf-T-Lok are 3 5/8" Higher than Door Center, so Allow for that When Mounting Cabinet.
 Standard Pull with No Lock or Flush Pull are Centered on Door.

3/4" PLASTER

5/8" DRYWALL

See Installation Instructions for Complete Details