

SUBMITTAL: AMBASSADOR STEEL EXTINGUISHER CABINETS WITH CHROME FINISH OPTION

The Ambassador Series is a Durable, Attractive Steel Cabinet with Chrome Finish.

Door & Trim Construction: Cold rolled steel with dipped, chrome finish. Flush cabinet doors with a 5/8" door stop are attached by a continuous hinge and equipped with zinc-plated handle and roller catch. All models have 1-3/4" wide trim on frame and 1-1/4" trim on doors with glazing.

Trim Style & Depth: Recessed 3/8" flat trim, Recessed Trimless (install before drywall), Semi Recessed - 1-1/4", 1-1/2" Square Edge or 2-1/2", 3", 4", 4-1/2" Rolled Edge (4" has recessed Flush pull).

Tub: The tub is constructed of cold rolled steel with white powder-coat finish standard.

Fire-Rated Option Available: Yes - [See separate Submittal Form.](#)

STEP 1: SELECT MODEL NUMBER AND QUANTITY ON CHART (refer to chart on pg 2)

- A. Determine Trim Style according to wall depth.
- B. Determine Tub I.D. according to size most suited for extinguisher and wall opening.

STEP 2: SELECT DOOR STYLE WITH HANDLE

Check one box below Examples on Page 2

- | | |
|---|--|
| <input type="checkbox"/> F Full Glazing in 1-1/4" wide Frame | <input type="checkbox"/> L22 Solid with SAF-T-LOK™ |
| <input type="checkbox"/> G Full Glazing with SAF-T-LOK™ in 1-1/4" Frame | <input type="checkbox"/> L24 Solid with Cylinder Lock - No Handle |
| <input type="checkbox"/> D Horizontal Duo Panel | <input type="checkbox"/> V Vertical Duo |
| <input type="checkbox"/> E Horizontal Dual Panel with SAF-T-LOK™ | <input type="checkbox"/> W Vertical Duo with SAF-T-LOK™ |
| <input type="checkbox"/> S21 Solid Door | <input type="checkbox"/> B Solid with 2" x 4" View Window & SAF-T-LOK™ |

STEP 3: SELECT DOOR GLAZING

(Check one box below)

- | | | |
|---|--|--|
| <input type="checkbox"/> 10 Clear Acrylic | <input type="checkbox"/> 15 Bronze Acrylic | <input type="checkbox"/> 17 Clear Tempered Glass |
| <input type="checkbox"/> 13 Wire Glass with Safety Film | <input type="checkbox"/> 16 Gray Acrylic | <input type="checkbox"/> 18 Laminated Safety Glass |



Rolled Trim with Satin Chrome Finish



1017V10
3" Rolled Trim Semi-Recessed Chrome Finish



1815F10
1-1/2" Square Trim Recessed Satin Chrome Finish



STEP 4 : SELECT DOOR AND TRIM FINISH

- Polished Chrome Finish
- Satin Chrome Finish

For More Information on Options See Other Submittals:
[Decals/Die Cuts & Wall Signs.](#) [More Alarm Information](#)

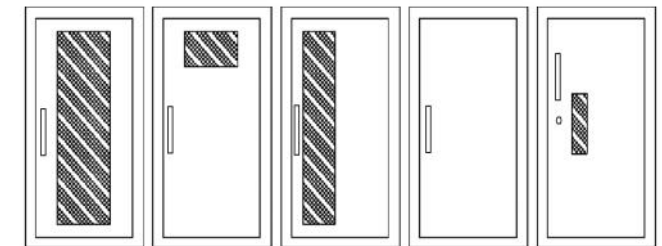
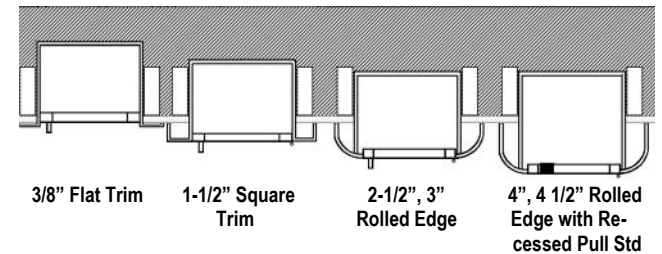
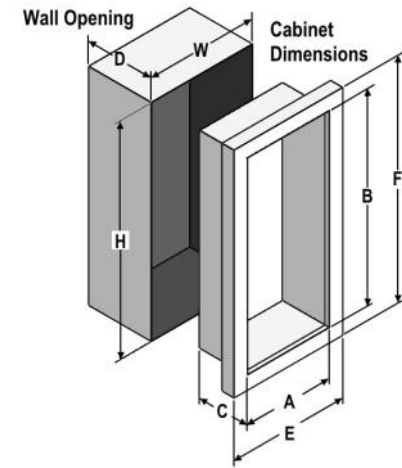
STEP 5: OPTIONAL FEATURES AT ADDED COST (SELECT ANY)

- | | | |
|---|---|---|
| <input type="checkbox"/> Optional Tub Color: ___ Black ___ Red | <input type="checkbox"/> Red Vertical FE Letters LDCVRF | <input type="checkbox"/> Black Vertical Decal LDVBF |
| <input type="checkbox"/> Futura "Fire" Pull ___ Mill Alum ___ Red ___ White | <input type="checkbox"/> White Vertical FE Letters LDCVWF | <input type="checkbox"/> Red Vertical Decal LDVRF |
| <input type="checkbox"/> Flush Pull Handle | <input type="checkbox"/> Black Horizontal FE Letters LDCHBF | <input type="checkbox"/> White Vertical Decal LDVWF |
| <input type="checkbox"/> Polished Chrome Handle (PUCH) | <input type="checkbox"/> Red Horizontal FE Letters LDCHRF | <input type="checkbox"/> Black Horizontal Decal LDHBF |
| <input type="checkbox"/> Black Vertical FE Letters LDCVBF | <input type="checkbox"/> White Horizontal FE Letters LDCHWF | <input type="checkbox"/> Red Horizontal Decal LDHRF |
| | | <input type="checkbox"/> (MC) Magnetic Catch—Replaces Roller Catch |
| | | <input type="checkbox"/> White Horizontal Decal LDHWFE |
| | | <input type="checkbox"/> (CA) Commander Alarm |
| | | <input type="checkbox"/> (BA) Brigadier Alarm |
| | | <input type="checkbox"/> (SA) Strobe Alarm (3-1/2-4" Trim Models) |
| | | <input type="checkbox"/> Etched Lettering in Glass (use separate submittal) |

 JL INDUSTRIES  ACTIVAR INC. <small>CONSTRUCTION PRODUCTS GROUP</small> AMBASSADOR, FX 2 AND SAF-T-LOK ARE TRADEMARKS OF ACPG PLEASE DOWNLOAD THE MOST CURRENT SUBMITTAL FROM WEBSITE BEFORE ORDERING	Distributor:	Quantity:
	Contractor:	Approved By:
	Model #:	Architect:
	Project:	Date:
HEADQUARTERS: 9702 NEWTON AV S, BLOOMINGTON, MN 55431 PH: 800-554-6077 FAX: 952-835-2218 EMAIL: SALES@ACTIVARCPG.COM WWW.ACTIVARCPG.COM MANUFACTURING: BLOOMINGTON MN & COMMERCE, CA • WAREHOUSES: FT MYERS FL, ATLANTA GA, DALLAS TX, SEATTLE WA, LANCASTER PA, FARGO ND, OMAHA NE 6/13/2017		

SUBMITTAL: AMBASSADOR STEEL EXTINGUISHER CABINETS W CHROME FINISH OPTION

TRIM & DOOR SERIES #			Tub I.D.			Frame O.D.		Wall Opening			Fits Extinguishers
QTY	Model	Trim Style	A	B	C	E	F	W	H	D	
	8115	Flat 3/8 Trim ●	9	18	5 1/2	12 3/8	21 3/8	10	19	5 3/8	Cosmic & Galaxy 2 1/2-6 (6 lb must be mounted on tub wall), Mercury 2 1/2- 5
	8116	1 1/2 Square ●	9	18	5 1/2	12 3/8	21 3/8	10	19	4 1/8	
	8117	2 1/2 Rolled ●	9	18	5 1/2	12 3/8	21 3/8	10	19	3 1/8	
	1710	2-1/2 Square ●	10 1/2	24	5	13 7/8	27 3/8	11 1/2	25	3	Cosmic/Gal/Merc 2-5
	1815	Flat 3/8 Trim ●	10 1/2	24	5 1/2	13 7/8	27 3/8	11 1/2	25	5 3/8	Cosmic & Galaxy 2 1/2-6 (6 lb must be mounted on tub wall), Mercury 2 1/2-5
	1816	1 1/2 Square ●	10 1/2	24	5 1/2	13 7/8	27 3/8	11 1/2	25	4 1/8	
	1817	3 Rolled ●	10 1/2	24	5 1/2	13 7/8	27 3/8	11 1/2	25	2 5/8	
	1812	4 Rolled/Flush Pull ●	10 1/2	24	5 1/2	13 7/8	27 3/8	11 1/2	25	1 7/8	
	1818	4 1/2 Rolled	10 1/2	24	5 1/2	13 7/8	27 3/8	11 1/2	25	1 1/8	
	1015	Flat 3/8 Trim ●	10 1/2	24	6	13 7/8	27 3/16	11 1/2	25	5 7/8	Cosmic & Galaxy 2 1/2-10 Mercury 2 1/2-5, Sentinel 5
	1016	1 1/2 Square ●	10 1/2	24	6	13 7/8	27 3/8	11 1/2	25	4 5/8	
	1017	3 Rolled ●	10 1/2	24	6	13 7/8	27 3/8	11 1/2	25	3 1/8	
	1012	4 Rolled/Flush Pull ●	10 1/2	24	6	13 7/8	27 3/8	11 1/2	25	2 3/8	
	1018	4 1/2 Rolled	10 1/2	24	6	13 7/8	27 3/8	11 1/2	25	1 5/8	
	2015	Flat 3/8 Trim ●	12	27	7 3/4	15 3/8	30 3/8	13	28	7 5/8	Any Cosmic, Galaxy (20 lb must be mounted on cabinet tub), Mercury, Saturn or Grenadier P, Sentinel 5 & 10
	2016	1 1/4 Square ●	12	27	7 3/4	15 3/8	30 3/8	13	28	6 5/8	
	2017	2 1/2 Rolled ●	12	27	7 3/4	15 3/8	30 3/8	13	28	5 5/8	
	2012	4 Rolled/Flush Pull ●	12	27	7 3/4	15 3/8	30 3/8	13	28	4 1/8	
	2018	4 1/2 Rolled	12	27	7 3/4	15 3/8	30 3/8	13	28	3 3/8	
	3015	Flat 3/8 Trim ●	16	32	7 3/4	19 3/8	35 3/8	17	33	7 5/8	Any Cosmic, Galaxy (20 lb must be mounted on cabinet tub), Mercury, Saturn or Grenadier P, Sentinel 5-15, 272
	3016	1 1/4 Square ●	16	32	7 3/4	19 3/8	35 3/8	17	33	6 5/8	
	3017	2 1/2 Rolled ●	16	32	7 3/4	19 3/8	35 3/8	17	33	5 5/8	
	3012	4 Rolled/Flush Pull ●	16	32	7 3/4	19 3/8	35 3/8	17	33	4 1/8	
	3018	4 1/2 Rolled	16	32	7 3/4	19 3/8	35 3/8	17	33	3 3/8	
	4015	Flat 3/8 Trim ●	20	27	7 3/4	23 3/8	30 3/8	21	28	7 5/8	Two each any Cosmic, Galaxy (20 lb must be mounted on cabinet tub), Mercury, Saturn or Grenadier P, Sentinel 5
	4016	1 1/4 Square ●	20	27	7 3/4	23 3/8	30 3/8	21	28	6 5/8	
	4017	2 1/2 Rolled ●	20	27	7 3/4	23 3/8	30 3/8	21	28	5 5/8	
	4012	4 Rolled/Flush Pull ●	20	27	7 3/4	23 3/8	30 3/8	21	28	4 1/8	
	4018	4 1/2 Rolled	20	27	7 3/4	23 3/8	30 3/8	21	28	3 3/8	



- F - Full glass with pull handle
- G - Full glass with pull handle above Saf-T-Lok (not shown)
- D - Horizontal duo panel with pull handle
- E - Horizontal duo panel with pull handle above Saf-T-Lok (not shown)
- V - Vertical duo panel with pull handle
- W - Vertical duo panel with pull handle above Saf-T-Lok (not shown)
- S21 - Solid with pull handle
- L22 - Solid with pull handle above Saf-T-Lok
- L24 - Solid with cylinder key lock and no handle
- B - Small view window with pull handle, and Saf-T-Lok

[VIEW ALL DOOR STYLES ONLINE](#)

● Cabinets that Meet 4" Maximum ADA Projection Requirement

[ADA Information](#)

ADA Cabinet Mounting Height: Standard Pull on G, E, W, L22 and B Door Styles with Saf-T-Lok are 3 5/8" Higher than Door Center, so Allow for that When Mounting Cabinet. Standard Pull with No Lock or Flush Pull are Centered on Door.