

SUBMITTAL: COSMOPOLITAN STAINLESS STEEL FX2™ FIRE-RATED EXTINGUISHER CABINETS

The Cosmopolitan Series in Stainless Steel Is a Modern, Clean Look for Recessed & Surface-Mounted Extinguisher Cabinets.

Door & Trim Construction: # 4 stainless steel. Flush cabinet doors with a 5/8" door stop are attached by a continuous hinge and equipped with zinc-plated handle and roller catch. All models have 1-3/4" wide trim on frame and 1-1/4" trim on doors with glazing.

Trim Style & Depth: *Trimless Recessed* - for 5/8" depth drywall or 3/4" plaster. *Recessed 3/8"* flat trim, *Semi Recessed* - 1-1/4", 1-1/2" Square Edge or 2-1/2", 3", 4", 4-1/2" Rolled Edge (4" has recessed Flush pull). See separate submittal for trimless models.

Tub: The tub is constructed of cold rolled steel with white powder-coat finish standard. Tub forms a flange to cover cut edges of wallboard material. Fire-resistant material is attached to the exterior of the tub **Please note that dimensions for wall opening have changed on 1/23/15. See Chart on pg 2.**

Fire-Rating: Fire-FX2™ cabinets are fabricated in accordance with the UL label for one and two hour combustible and non-combustible wall system building codes. The fire testing has met the requirement of ANSI/UL 1479 (ASTM –E814) and ULC/CAN S115-for membrane and penetration firestops. Installation instructions must be strictly adhered to in order to obtain the fire rating.

STEP 1: SELECT MODEL NUMBER AND QUANTITY ON CHART (refer to chart on pg 2)

A. Determine Trim Style according to wall depth. B. Determine Tub I.D. according to size most suited for extinguisher and wall opening.



**1835F10FX2
Recessed**

**1037V10FX2
3" Rolled Edge
Semi-Recessed**

STEP 2: SELECT DOOR STYLE WITH HANDLE

Check one box below Examples on Page 2

- F** Full Glazing
- G** Full Glazing with SAF-T-LOK™
- D** Horizontal Duo Panel
- E** Horizontal Dual Panel with SAF-T-LOK™
- S21** Solid Door

- L22** Solid with SAF-T-LOK™
- L24** Sold with Cylinder Lock - No Handle
- V** Vertical Duo
- W** Vertical Duo with SAF-T-LOK™
- B** Solid with 2" x 4" View Window & SAF-T-LOK™

[BIM Objects for REVIT® Platform](#)

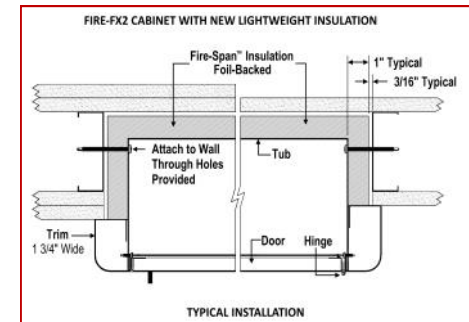
STEP 3: SELECT DOOR GLAZING

(Check one box below)

- 10** Clear Acrylic
- 13** Clear Wire Glass with Safety Film

- 15** Bronze Acrylic
- 16** Gray Acrylic

- 17** Clear Tempered Glass
- 18** Laminated Safety Glass



STEP 4: OPTIONAL FEATURES AT ADDED COST (SELECT ANY)

- Optional Tub Color:** ___ Black ___ Red
- Futura "Fire" Pull ___ Mill Alum ___ Red ___ White
- Flush Pull Handle (**PRH**)
- Polished Chrome Handle (**PUCH**)
- Other Stainless Finish: ___ #6 ___ #7 ___ #8
- Stainless Tub [View Stainless Finishes](#)

- Black Vertical FE Letters **LDCVBF**
- Red Vertical FE Letters **LDCVRF**
- White Vertical FE Letters **LDCVWF**
- Black Horizontal FE Letters **LDCHBF**
- Red Horizontal FE Letters **LDCHRF**
- White Horizontal FE Letters **LDCHWF**

- Black Vertical Decal **LDVBF**
- Red Vertical Decal **LDVRF**
- White Vertical Decal **LDVWF**
- Black Horizontal Decal **LDHBF**
- Red Horizontal Decal **LDHRF**
- White Horizontal Decal **LDHWF**

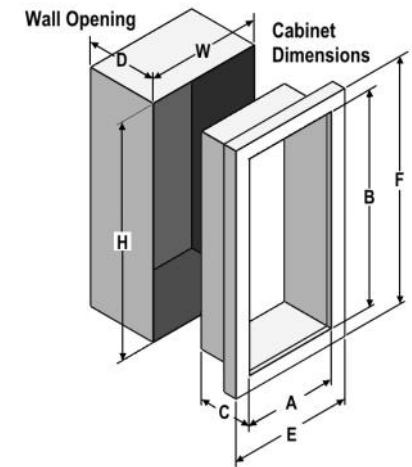
- (CA)** Commander Alarm
- (BA)** Brigadier Alarm [More Alarm Information](#)
- Etched Glass or Engraved Metal Lettering - See separate submittal to order.

For More Information on Options See Other Submittals:
[Handles & Levers](#) [Decals/Die Cuts & Wall Signs](#).

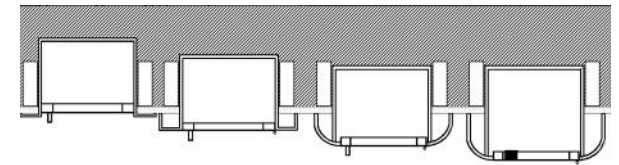
<p>ACTIVAR INC. CONSTRUCTION PRODUCTS GROUP</p> <p>COSMOPOLITAN AND FX2 ARE TRADEMARKS OF ACPG PLEASE DOWNLOAD THE MOST CURRENT SUBMITTAL FROM WEBSITE BEFORE ORDERING</p>	Distributor:	Quantity:
	Contractor:	Approved By:
	Model #:	Architect:
	Project:	Date: © 2019 Activar Construction Products Group, Inc
<p>HEADQUARTERS: 9702 NEWTON AV S, BLOOMINGTON, MN 55431 PH: 800-554-6077 FAX: 952-835-2218 EMAIL: SALES@ACTIVARCPG.COM WWW.ACTIVARCPG.COM</p> <p>MANUFACTURING: BLOOMINGTON MN & COMMERCE, CA • WAREHOUSES: FT MYERS FL, ATLANTA GA, DALLAS TX, SEATTLE WA, LANCASTER PA, FARGO ND, OMAHA NE 3/20/2019</p>		

SUBMITTAL: COSMOPOLITAN STAINLESS FX2 EXTINGUISHER CABINETS PLEASE NOTE CHANGES IN WALL OPENING PG 2 OF 2

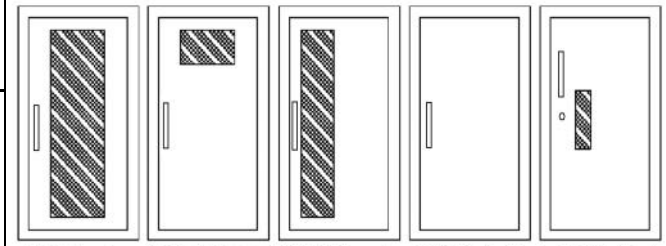
TRIM & DOOR SERIES #			Tub I.D.			Frame O.D.		FX Wall Openings in 2015 Have Changed Please Note!			Fits Extinguishers View Submittal
QTY	Model	Trim Style (in)	A	B	C	E	F	W	H	D	
	8135	Flat 3/8" Trim ●	9	18	5 1/2	12 3/8	21 3/8	11 5/16	20 5/16	6 7/16	Cosmic & Galaxy 2 1/2-6 (6 lb must be mounted to back of tub), Mercury 2 1/2- 5
	8136	1 1/2 Square ●	9	18	5 1/2	12 3/8	21 3/8	11 5/16	20 5/16	5 3/16	
	8137	2 1/2 Rolled ●	9	18	5 1/2	12 3/8	21 3/8	11 5/16	20 5/16	4	
	1730	2-1/4 Square ●	10 1/2	24	5	13 7/8	27 3/8	12 13/16	26 5/16	4	Cosmic/Gal/Merc 2-5
	1835	Flat 3/8" Trim ●	10 1/2	24	5 1/2	13 7/8	27 3/8	12 13/16	26 5/16	6 7/16	Cosmic & Galaxy 2 1/2-6 (6 lb must be mounted to back of tub), Mercury 2 1/2- 5
	1836	1 1/2 Square ●	10 1/2	24	5 1/2	13 7/8	27 3/8	12 13/16	26 5/16	5 3/16	
	1837	3 Rolled ●	10 1/2	24	5 1/2	13 7/8	27 3/8	12 13/16	26 5/16	3 5/8	
	1832	4 Rolled/Flush Pull ●	10 1/2	24	5 1/2	13 7/8	27 3/8	12 13/16	26 5/16	2 7/8	
	1838	4 1/2 Rolled	10 1/2	24	5 1/2	13 7/8	27 3/8	12 13/16	26 5/16	2 3/16	
	1035	Flat 3/8" Trim ●	10 1/2	24	6	13 7/8	27 3/8	12 13/16	26 5/16	6 15/16	Cosmic & Galaxy 2 1/2-10 Mercury 2 1/2-5, Sentinel 5
	1036	1 1/2 Square ●	10 1/2	24	6	13 7/8	27 3/8	12 13/16	26 5/16	5 11/16	
	1037	3 Rolled ●	10 1/2	24	6	13 7/8	27 3/8	12 13/16	26 5/16	4	
	1032	4 Rolled/Flush Pull ●	10 1/2	24	6	13 7/8	27 3/8	12 13/16	26 5/16	3 3/8	
	1038	4 1/2 Rolled	10 1/2	24	6	13 7/8	27 3/8	12 13/16	26 5/16	2 11/16	
	2035	Flat 3/8" Trim ●	12	27	7 3/4	15 3/8	30 3/8	14 5/16	29 5/16	8 11/16	Any Cosmic or Galaxy (20 lb must be mounted to back of tub), Mercury, Saturn or Grenadier P, Sentinel 5 & 10
	2036	1 1/4 Square ●	12	27	7 3/4	15 3/8	30 3/8	14 5/16	29 5/16	7 11/16	
	2037	2 1/2 Rolled ●	12	27	7 3/4	15 3/8	30 3/8	14 5/16	29 5/16	6 7/16	
	2032	4 Rolled/Flush Pull ●	12	27	7 3/4	15 3/8	30 3/8	14 5/16	29 5/16	5 1/8	
	2038	4 1/2 Rolled	12	27	7 3/4	15 3/8	30 3/8	14 5/16	29 5/16	4 7/16	
	3035	Flat 3/8" Trim ●	16	32	7 3/4	19 3/8	35 3/8	18 5/16	34 5/16	8 11/16	Any Cosmic or Galaxy (20 lb must be mounted on tub), Mercury, Saturn or Grenadier P, Sentinel 5-15, 272
	3036	1 1/4 Square ●	16	32	7 3/4	19 3/8	35 3/8	18 5/16	34 5/16	7 11/16	
	3037	2 1/2 Rolled ●	16	32	7 3/4	19 3/8	35 3/8	18 5/16	34 5/16	6 7/16	
	3032	4 Rolled/Flush Pull ●	16	32	7 3/4	19 3/8	35 3/8	18 5/16	34 5/16	5 1/8	
	3038	4 1/2 Rolled	16	32	7 3/4	19 3/8	35 3/8	18 5/16	34 5/16	4 7/16	
	4035	Flat 3/8" Trim ●	20	27	7 3/4	23 3/8	30 3/8	22 5/16	29 5/16	8 11/16	Two each of: any Cosmic or Galaxy (20 lb must be mounted on tub), Mercury, Saturn or Grenadier P, Sentinel 5
	4036	1 1/4 Square ●	20	27	7 3/4	23 3/8	30 3/8	22 5/16	29 5/16	7 11/16	
	4037	2 1/2 Rolled ●	20	27	7 3/4	23 3/8	30 3/8	22 5/16	29 5/16	6 7/16	
	4032	4 Rolled/Flush Pull ●	20	27	7 3/4	23 3/8	30 3/8	22 5/16	29 5/16	5 1/8	
	4038	4 1/2 Rolled	20	27	7 3/4	23 3/8	30 3/8	22 5/16	29 5/16	4 5/16	



New Lighter, FX2 Insulation



3/8" Flat Trim 1-1/2" Square Trim 2-1/2", 3" Rolled Edge 4" Rolled Edge with Recessed Pull Standard



- F - Full glass with pull handle
- D - Horizontal duo panel with pull handle
- V - Vertical duo panel with pull handle
- S21 - Solid with pull handle
- B - Small view window with pull handle above
- G - Full glass with pull handle above Saf-T-Lok
- E - Horizontal duo panel with pull handle above Saf-T-Lok
- W - Vertical duo panel with pull handle above Saf-T-Lok
- L22 - Solid with pull handle above Saf-T-Lok
- L24 - Solid with cylinder key lock and no handle

[VIEW ALL DOOR STYLES ONLINE](#)

ADA Cabinet Mounting Height: Standard Pull on G, E, W, L22 and B Door Styles with Saf-T-Lok are 3 5/8" Higher than Door Center, so Allow for that When Mounting Cabinet. Standard Pull with No Lock or Flush Pull are Centered on Door.

Models shown in **Large Bold** above are available in several door styles for Quick Shipment. [See current Stock List.](#)

[ADA Information](#)