

SUBMITTAL: COSMOPOLITAN™ FIRE EXTINGUISHER CABINETS - SURFACE-MOUNT ROLLED EDGE

The Cosmopolitan Series in Stainless Steel Is a Modern, Clean Look for Surface-Mounted Cabinets.

Door & Trim Construction: # 4 stainless steel. Flush cabinet doors with a 5/8" door stop are attached by a continuous hinge and equipped with zinc-plated handle and roller catch. All models have 1-3/4" wide trim on frame and 1-1/4" trim on doors with glazing.

Trim Style & Depth: Surface-Mount Rolled Edge .

Tub: The tub is constructed of stainless steel.

Fire-Rated Option Available: No



1039F10 Rolled Edge Surface Mount

STEP 1: SELECT MODEL NUMBER AND QUANTITY ON CHART (refer to chart on pg 2)

- A. Determine Trim Style according to wall depth.
- B. Determine Tub I.D. according to size most suited for extinguisher and wall opening.

STEP 2: SELECT DOOR STYLE WITH HANDLE

Check one box below Examples on Page 2

- | | |
|---|---|
| <input type="checkbox"/> F Full Glazing | <input type="checkbox"/> L22 Solid with SAF-T-LOK™ |
| <input type="checkbox"/> G Full Glazing with SAF-T-LOK™ | <input type="checkbox"/> L24 Solid with Cylinder Lock - No Handle |
| <input type="checkbox"/> D Horizontal Duo Panel | <input type="checkbox"/> V Vertical Duo |
| <input type="checkbox"/> E Horizontal Dual Panel with SAF-T-LOK™ | <input type="checkbox"/> W Vertical Duo with SAF-T-LOK™ |
| <input type="checkbox"/> S21 Solid Door | <input type="checkbox"/> B Solid with Small View Window & SAF-T-LOK™ |



STEP 3: SELECT DOOR GLAZING

(Check one box below)

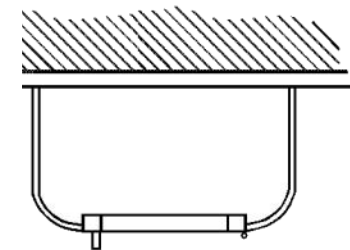
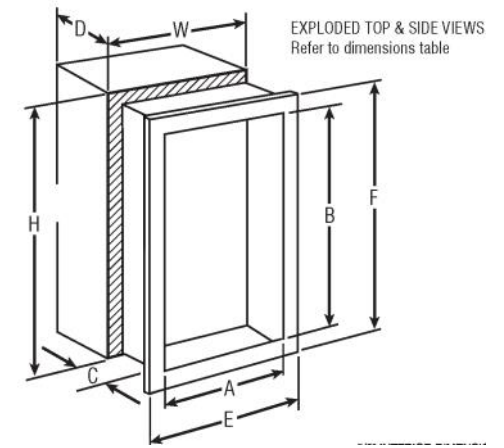
- | | | |
|--|---|---|
| <input type="checkbox"/> 10 Clear Acrylic | <input type="checkbox"/> 15 Bronze Acrylic | <input type="checkbox"/> 17 Clear Tempered Glass |
| <input type="checkbox"/> 13 Clear Wire Glass with Safety Film | <input type="checkbox"/> 16 Gray Acrylic | <input type="checkbox"/> 18 Laminated Safety Glass |

STEP 4: OPTIONAL FEATURES AT ADDED COST (SELECT ANY)

- | | | | |
|---|---|---|--|
| <input type="checkbox"/> Optional Tub Color: ___ Black ___ Red | <input type="checkbox"/> Black Vertical FE Letters LDCVBFE | <input type="checkbox"/> Black Vertical Decal LDVBFE | <input type="checkbox"/> (CA) Commander Alarm |
| <input type="checkbox"/> Futura "Fire" Pull ___ Mill Alum ___ Red ___ White | <input type="checkbox"/> Red Vertical FE Letters LDCVRFE | <input type="checkbox"/> Red Vertical Decal LDVRFE | <input type="checkbox"/> (BA) Brigadier Alarm |
| <input type="checkbox"/> Flush Pull Handle | <input type="checkbox"/> White Vertical FE Letters LDCVWFE | <input type="checkbox"/> White Vertical Decal LDVWFE | <input type="checkbox"/> (SA) Strobe Alarm (Surface Mount Models) |
| <input type="checkbox"/> Polished Chrome Lever Handle (PUCH) | <input type="checkbox"/> Black Horizontal FE Letters LDCHBFE | <input type="checkbox"/> Black Horizontal Decal LDHBFE | <input type="checkbox"/> Etched/Engraved Lettering in Glass or Metal- Attach Sub |
| <input type="checkbox"/> Chrome Pull Handle | <input type="checkbox"/> Red Horizontal FE Letters LDCHRFE | <input type="checkbox"/> Red Horizontal Decal LDHRFE | For More Information on Options See Other |
| <input type="checkbox"/> Other Stainless Finish: ___ #6 ___ #7 ___ #8 | <input type="checkbox"/> White Horizontal FE Letters LDCHWFE | <input type="checkbox"/> White Horizontal Decal LDHWFE | Submittals: Decals/Die Cuts & Wall Signs, |

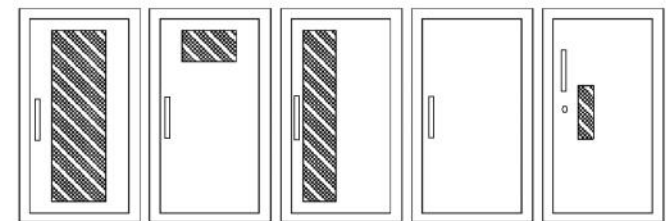
 JL INDUSTRIES	 ACTIVAR INC. CONSTRUCTION PRODUCTS GROUP COSMOPOLITAN™ IS A TRADEMARK OF ACPG DOWNLOAD CURRENT SUBMITTAL BEFORE ORDERING	Distributor:	Quantity:
		Contractor:	Approved By:
		Model #:	Architect:
		Project:	Date: © 2018 Activar Construction Products Inc
HEADQUARTERS: 9702 NEWTON AV S, BLOOMINGTON, MN 55431 PH: 800-554-6077 FAX: 952-835-2218 EMAIL: SALES@ACTIVARCPG.COM WWW.ACTIVARCPG.COM MANUFACTURING: BLOOMINGTON MN & COMMERCE, CA • WARE HOUSES: FT MYERS FL, ATLANTA GA, DALLAS TX, SEATTLE WA, LANCASTER PA, FARGO ND, OMAHA NE 1/3/2018			

TRIM & DOOR SERIES #			Tub I.D.			Frame O.D.		**Extinguisher
QTY	Model	Trim Style	A	B	C	E	F	
	8139	Surface Mtd. Rolled Edge All Stainless Construction	12 3/16	21 3/16	6	12 3/8	21 3/8	Cosmic & Galaxy 2 1/2-6 Mercury 2 1/2- 5
	1039	Surface Mtd. Rolled Edge All Stainless Construction	13 11/16	27 3/16	6 1/2	13 7/8	27 3/8	Cosmic & Galaxy 2 1/2-10, Sentinel 5, Mercury 2 1/2- 5
	2039	Surface Mtd. Rolled Edge All Stainless Construction	15 3/16	30 3/16	8 1/4	15 3/8	30 3/8	Any Cosmic or Galaxy, Grenadier P, Mercury, Saturn, Sentinel 5, 10 & 272
	3039	Surface Mtd. Rolled Edge All Stainless Construction	19 3/16	35 3/16	8 1/4	19 3/8	35 3/8	Any Cosmic or Galaxy, Grenadier P, Mercury, Saturn, Sentinel 5- 15 & 272
	4039	Surface Mtd. Rolled Edge All Stainless Construction	23 3/16	30 3/16	8 1/4	23 3/8	30 3/8	Two each of: any Cosmic or Galaxy, Grenadier P, Mercury, Saturn or Sentinel 5



ADA Cabinet Mounting Height: Standard Pull on G, E, W, L22 and B Door Styles with Saf-T-Lok are 3 5/8" Higher than Door Center, so Allow for that When Mounting Cabinet. Standard Pull with No Lock or Flush Pull are Centered on Door.

** It is our recommendation that extinguishers be mounted on the back of the tub wall for these cabinet models.



- F - Full glass with pull handle
- D - Horizontal duo panel with pull handle
- V - Vertical duo panel with pull handle
- S21 - Solid with pull handle
- B - Solid with pull handle, view window and Saf-T-Lok
- G - Full glass with pull handle and Saf-T-Lok (Not Shown)
- E - Horizontal duo panel with pull handle and Saf-T-Lok. (Not Shown)
- W - Vertical duo panel with pull handle and Saf-T-Lok. (Not Shown)
- L22 - Solid with pull handle and Saf-T-Lok
- L24 - Solid with cylinder key lock and no handle