

# SUBMITTAL: PANORAMA™ STEEL TRIMLESS FIRE EXTINGUISHER CABINETS

The Panorama Cabinet Features a Frameless Acrylic Door of Clear or Opaque Textured Acrylic with Many Lettering Options. This New Version with Concealed Trim is Designed to be Installed Over Drywall, or Under Plaster for a Flush Finish.

**Door & Trim Construction:** Flush acrylic cabinet doors are attached by a continuous hinge and equipped with zinc-plated handle and roller catch.

**Concealed Flange Style:** Drywall bead for installation over drywall (WB style) or plaster flange with stop (PW style) with 3/4" plaster allowance.

**Tub:** The tub is constructed of cold rolled steel with white powder-coat finish standard. Tub includes a 1-1/4" wide flange to cover the wall opening, and is designed to be concealed by drywall, plaster or stucco.

**Fire-Rated Option Available:** Yes - See separate Submittal Form. (Note FX version is designed to be installed between layers of drywall)

**STEP 1: SELECT MODEL NUMBER, MATERIAL AND QUANTITY ON CHART** (refer to chart on pg 2)

- A. Determine Trim Style according to wall depth.
- B. Determine Tub I.D. according to size most suited for extinguisher and wall opening.

**STEP 2: SELECT DOOR ACRYLIC WITH HANDLE**

(Check one box below)

- C70 Clear 3/16" Unlettered Smooth Acrylic
- C71 Clear 3/16" Unlettered Smooth Acrylic & Saf-T-Lok™
- P Identity: 3/16" Textured Obscure Acrylic with Lettering

**STEP 3 - SELECT LETTERING STYLE FOR P DOORS**

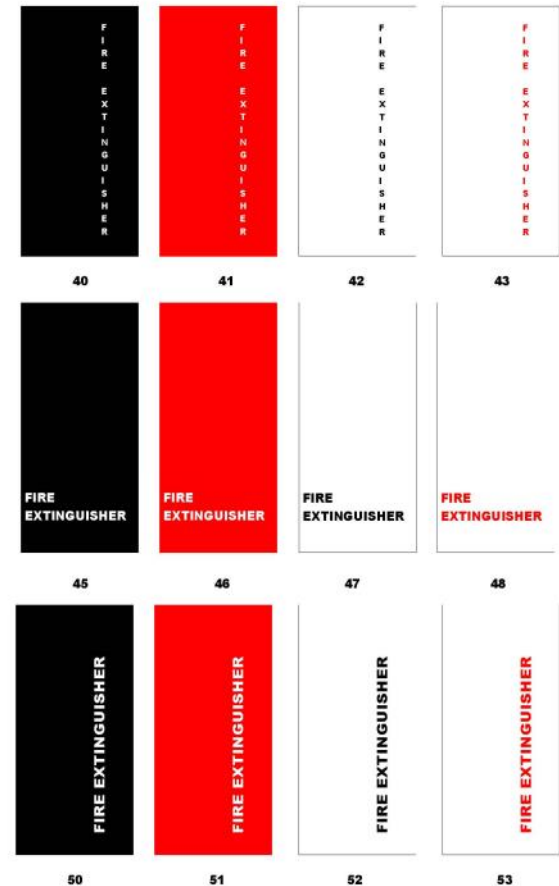
40 Vert, Black Bkgd, White Lettering	45 Horiz, Black Bkgd, White Lettering	50 Ascend, Black Bkgd, White Lettering
41 Vert, Red Bkgd, White Lettering	46 Horiz, Red Bkgd, White Lettering	51 Ascend, Red Bkgd, White Lettering
42 Vert, White Bkgd, Black Lettering	47 Horiz, White Bkgd, Black Lettering	52 Ascend, White Bkgd, Black Lettering
43 Vert, White Bkgd, Red Lettering	48 Horiz, White Bkgd, Red Lettering	53 Ascend, White Bkgd, Red Lettering


**STEP 4: OPTIONAL FEATURES AT ADDED COST (SELECT ANY)**

- Futura "Fire" Handle \_\_\_ Mill Aluminum \_\_\_ Red \_\_\_ White
- Flush Pull Handle For P Style Door Only
- Polished Chrome Pull (PUCH)
- (CA) Commander Alarm
- (BA) Brigadier Alarm
- Optional Colors: Tub and hinge will be painted in a single color - select from below.  
 \_\_\_ Sand \_\_\_ AMS Beige \_\_\_ SC Flat Beige \_\_\_ Red  
 \_\_\_ Gray \_\_\_ Bronze \_\_\_ Silver \_\_\_ Black \_\_\_ Flat Blk

See Website for More Information on Options

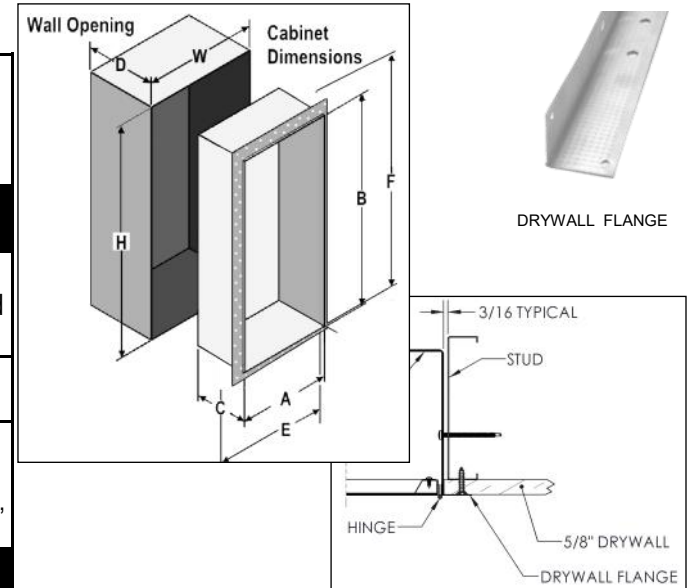
**Panorama "P" Style Door Selections**



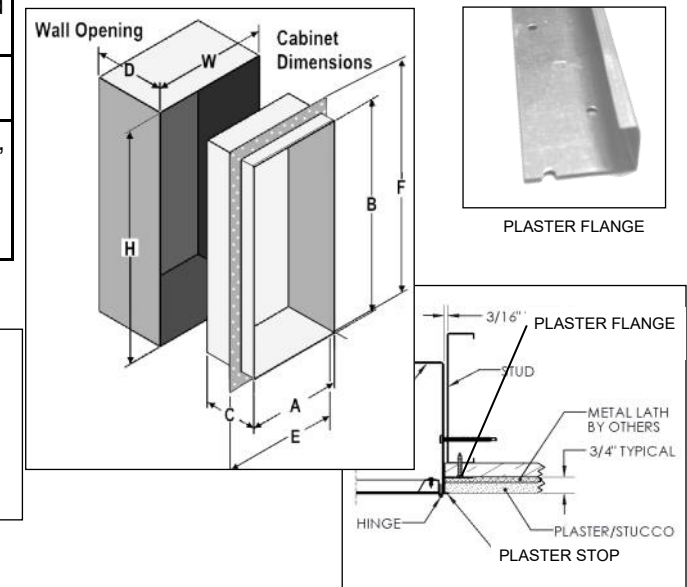
 <p>PANORAMA™ IS A TRADEMARK OF ACPG</p> <p>DOWNLOAD CURRENT SUBMITTAL BEFORE ORDERING</p>	Distributor:	Quantity:
	Contractor:	Approved By:
	Model #:	Architect:
	Project:	Date:
<p>HEADQUARTERS: 9702 NEWTON AV S, BLOOMINGTON, MN 55431 PH: 800-554-6077 FAX: 952-835-2218 EMAIL: SALES@ACTIVARCPG.COM WWW.ACTIVARCPG.COM</p> <p>MANUFACTURING: BLOOMINGTON MN &amp; COMMERCE CA • WARE HOUSES: SEE WEBSITE FOR LOCATIONS 12/15/2020</p>		

# SUBMITTAL: PANORAMA STEEL TRIMLESS FIRE EXTINGUISHER CABINETS

TRIM & DOOR SERIES #			Tub I.D.			Frame O.D.		Wall Opening			Fits Fire Extinguishers
QTY	Model	Trim Style	A Width	B Height	C Depth	E Width	F Height	W Width	H Height	D Depth	
<b>TRIMLESS CABINET WITH WALLBOARD BEAD TRIM FOR INSTALLATION OVER DRYWALL</b> Example of Part # 8114WBC70											
	8114WB	Trimless Drywall	9	18	5 1/2	11 1/2	20 1/2	10	19	5 5/8	Cosmic & Galaxy 2 1/2-6(6 lb must be mounted on tub) Mercury 2 1/2-5
	1014WB	Trimless Drywall	10 1/2	24	6	13	26 1/2	11 1/2	25	6 1/8	Cosmic & Galaxy 2 1/2-10 Mercury 2 1/2-5, Sentinel 5
	2014WB	Trimless Drywall	12	27	7 3/4	14 1/2	29 1/2	13	28	7 7/8	Any Cosmic, Galaxy, Mercury, Saturn or Grenadier P (20 lb must be mounted on back of tub), Sentinel 5 & 10, Nebula 270
<b>TRIMLESS CABINET WITH RECESSED FLANGE FOR INSTALLATION OF 3/4" PLASTER OVER TRIM</b> Example of Part # 8114PWP53											
	8114PW	Trimless Plaster	9	18	5 1/2	11 1/2	20 1/2	10	19	5 5/8	Cosmic & Galaxy 2 1/2-6(6 lb must be mounted on tub) Mercury 2 1/2-5
	1014PW	Trimless Plaster	10 1/2	24	6	13	26 1/2	11 1/2	25	6 1/8	Cosmic & Galaxy 2 1/2-10 Mercury 2 1/2-5, Sentinel 5
	2014PW	Trimless Plaster	12	27	7 3/4	14 1/2	29 1/2	13	28	7 7/8	Any Cosmic, Galaxy, Mercury, Saturn or Grenadier P (20 lb must be mounted on back of tub), Sentinel 5 & 10



## TRIMLESS FLANGE FOR 5/8" DRYWALL



**ADA Cabinet Mounting Height:** Standard Pull on "C71" Door Styles with Saf-T-Lok are 3 5/8" Higher than Door Center, so allow for that When Mounting Cabinet.

C70 and P doors with no lock, or flush pull are centered on door.

All Cabinets Meet 4" Maximum ADA Projection Requirement

## TRIMLESS RECESSED FLANGE FOR 3/4" PLASTER