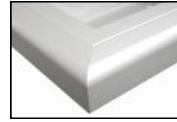


**Fire-Rated Crownline Cabinets Provide A Wide Selection of Door Styles, Glazing and Sizes. These Durable Cabinets are Designed to Industry Standards for Fire Department Valves, Fire Hose Rack Units and Extinguishers.**

**Door & Trim:** Clear anodized aluminum. 1-3/4" Trim on face and door. These flush cabinet doors are mounted in a 5/8" door stop, are attached by a continuous hinge and are equipped with zinc-plated handle and roller catch for all non-locking doors. Theft-deterrent SAF-T-LOK™ also available.

**Trim Style and Depth:** 1-3/4" face trim on frame and 1- 1/4" trim on door. *Recessed* - 3/8" flat trim. *Semi-recessed* - 1-1/4" Square Edge or 2-1/2" Rolled Edge. See separate submittal for trimless models. Rolled edge models are constructed of mechanically-joined extrusions. See photo at right.



2-1/2" Rolled Edge

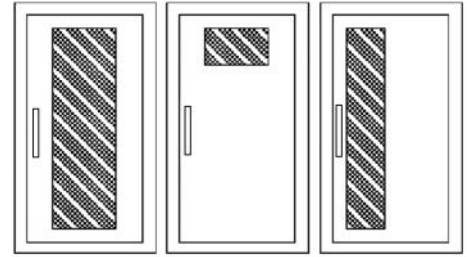
**Tub:** The double tub is constructed of cold rolled steel with white powder-coat finish standard. Tub forms a flange to cover cut edges of wallboard material.

Fire-resistant material is sandwiched between the layers of steel. ***Please note that dimensions for wall opening have changed in 2015. See Chart on pg 2.***

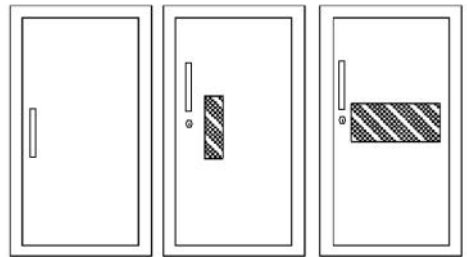
**Knockouts:** Knockouts are not provided on Fire-Rated Cabinets. Instructions for Knockouts in the field are provided and must be strictly adhered to, to maintain fire rating.

**Special Features:** Models 8025, 8026, 8027 & 8023 have a shelf 12" from the bottom of the cabinet and are designed to hold a fire extinguisher plus FD valve or other accessory. Those models can also be ordered without shelf to allow for lower mounting height of valve piping to meet NFPA10.

Fire-Rating: Fire-FX2™ cabinets are fabricated in accordance with the UL label for one and two hour combustible and non-combustible wall system building codes. The fire testing has met the requirement of ANSI/UL 1479 (ASTM –E814) and ULC/CAN S115-for membrane and penetration firestops. Installation instructions must be strictly adhered to in order to obtain the fire rating.



F - Full glass with pull handle  
G - Full glass with pull handle & Saf-T-Lok  
D - Horizontal duo panel with pull handle  
E - Horizontal duo panel with pull handle & Saf-T-Lok  
V - Vertical duo panel with pull handle  
W - Vertical duo panel with pull handle & Saf-T-Lok



S21 - Solid with pull handle  
L22 - Solid with pull handle & Saf-T-Lok  
B - Solid with pull, small view window and Saf-T-Lok  
A - Center duo panel with pull and Saf-T-Lok

**STEP 1: SELECT MODEL NUMBER, TRIM & QUANTITY (Refer to Chart on Page 2)**

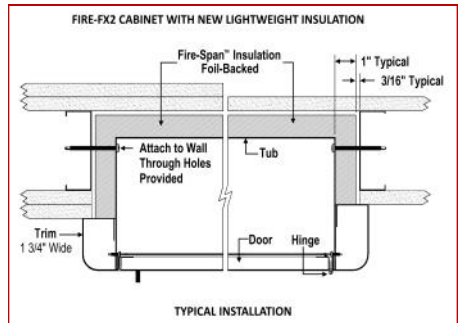
**STEP 2: SELECT DOOR STYLE WITH HANDLE (Check one box below)**

- |   |   |
|---|---|
| <input type="checkbox"/> F Full Glazing                         | <input type="checkbox"/> L22 Solid with SAF-T-LOK™                |
| <input type="checkbox"/> G Full Glazing with SAF-T-LOK™         | <input type="checkbox"/> V Vertical Duo                           |
| <input type="checkbox"/> D Horizontal Duo Panel                 | <input type="checkbox"/> W Vertical Duo with SAF-T-LOK™           |
| <input type="checkbox"/> E Horizontal Duo Panel with SAF-T-LOK™ | <input type="checkbox"/> B Solid w/Small View Window & SAF-T-LOK™ |
| <input type="checkbox"/> A Center Duo Panel with SAF-T-LOK™     | <input type="checkbox"/> L24 Solid with Cylinder Lock & No Handle |
| <input type="checkbox"/> S21 Solid Door                         |   |

[View Door Styles](#)

**STEP 3: SELECT DOOR GLAZING (Check one box below)**

- |   |  |
|---|--|
| <input type="checkbox"/> 10 Clear Acrylic                     | <input type="checkbox"/> 16 Gray Acrylic           |
| <input type="checkbox"/> 13 Clear Wire Glass with Safety Film | <input type="checkbox"/> 17 Clear Tempered Glass   |
| <input type="checkbox"/> 15 Bronze Acrylic                    | <input type="checkbox"/> 18 Laminated Safety Glass |



[BIM Objects for REVIT® Platform 8000 Models](#)

[BIM Objects for REVIT® Platform 6000/ 7000 Models](#)

**STEP 4: OPTIONAL FEATURES AT ADDITIONAL COST:**

- |   |  |   |
|---|--|---|
| <input type="checkbox"/> Dark Bronze Anodized Door & Trim (pull to match) | <input type="checkbox"/> P6 Polished Chrome Lever Handle                           | <input type="checkbox"/> Black Vertical FE Letters LDCVBF E   |
| <input type="checkbox"/> Optional Tub Color: ___ Black ___ Red            | <input type="checkbox"/> FDVO Decal "Fire Dept Valve" Octagonal 6 x 6"             | <input type="checkbox"/> Red Vertical FE Letters LDCVRF E     |
| <input type="checkbox"/> PUF Futura "Fire" Handle                         | <input type="checkbox"/> 1403 Decal "Fire Hose" Vert. Blk Bkgd, Red Letters 4 x 9  | <input type="checkbox"/> White Vertical FE Letters LDCVWF E   |
| <input type="checkbox"/> 0710 ADA Flush Pull Handle                       | <input type="checkbox"/> LDCHF DV-R Diecut "Fire Dept Valve" Horiz. 10-1/4 x 4-3/8 | <input type="checkbox"/> Black Horizontal FE Letters LDCHBF E |
| <input type="checkbox"/> P6 Polished Chrome Lever Handle                  | <input type="checkbox"/> LDCVRF DV Diecut "Fire Dept Valve" Vert 3/4: x 17"        | <input type="checkbox"/> Red Horizontal FE Letters LDCHRF E   |
| <input type="checkbox"/> BA Brigadier Alarm                               | Use separate submittals for specialty lettering                                    | <input type="checkbox"/> White Horizontal FE Letters LDCHWF E |
| <input type="checkbox"/> CA Commander Alarm                               | <a href="#">Etched or Engraved Lettering - Metal/Glass</a>                         | <a href="#">View Anodized Finishes Online</a>                 |

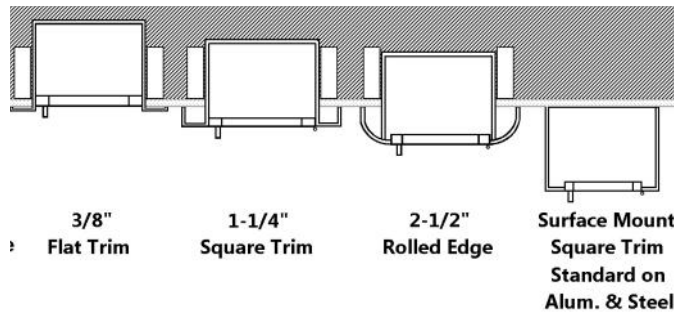
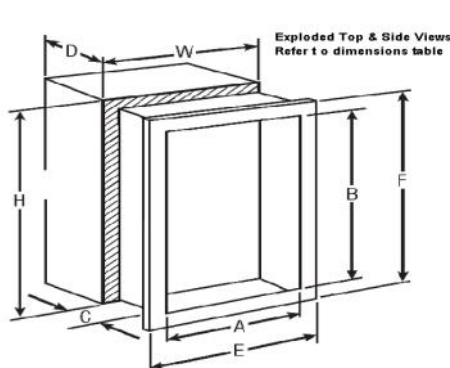
For More Options, Visit These Links to Separate Submittals: [Decals & Die Lettering](#), [Alarms](#), [Pulls & Levers](#), [Fire Extinguishers](#), [Fire Hose Racks](#),

<p><b>ACTIVAR INC.</b> CONSTRUCTION PRODUCTS GROUP</p> <p>JL INDUSTRIES CROWLINE™ AND SAF-T-LOK™ ARE TRADEMARKS OF ACTIVAR PLEASE DOWNLOAD MOST CURRENT SUBMITTAL BEFORE ORDERING</p>	Distributor:	Quantity:
	Contractor:	Approved By:
	Model #:	Architect:
	Project:	Date:

**Headquarters:** 9702 Newton Av S, Bloomington, MN 55431 Ph: 800-554-6077 Fax: 952-835-2218

**Email:** sales@activarcpg.com [www.activarcpg.com](http://www.activarcpg.com) **Manufacturing:** Bloomington MN & Commerce, CA © 2017 Activar Construction Products Group, Inc.

**Warehouses:** Ft Myers, FL Dallas TX, Lancaster PA, Atlanta GA, Chicago, IL, Seattle WA, Omaha NE, Fargo ND 8/17/17



**ADA Cabinet Mounting Height:**  
Standard Pull on G, E, W, L22 and B Door Styles with Saf-T-Lok are 3 5/8" Higher than Door Center, so Allow for that When Mounting Cabinet.  
Standard Pull with No Lock or ADA Recessed Pull are Centered on Door.

• Meet ADA 4" Projection Requirement

QTY	#	TRIM & DOOR MATERIAL & SERIES	TUB I.D. W x H x D in Inches			FRAME O.D.		FX Wall Opening New Dimensions 2015 -			RECOMMENDED HOSE RACK, FIRE DEPARTMENT VALVES & EXTINGUISHERS
			A	B	C	E	F	Width	Height	Depth	
<b>Cabinets with Hose Rack &amp; Extinguisher or FD Valve</b>											
	6025	FLAT TRIM 3/8" •	24	30	6	27 3/8	33 3/8	26 5/16	32 5/16	6 15/16	<b>HOSE RACK:</b> 1- 1/2" x 1-1/2" Hose Rack Unit, 50 or 75' Hose (3005, 3105, 3007, 3107) plus Cosmic 2.5 or Galaxy 2.5-5 lb Extinguisher
	6026	1-1/4" SQUARE EDGE •	24	30	6	27 3/8	33 3/8	26 5/16	32 5/16	5 15/16	
	6027	2-1/2" ROLLED EDGE •	24	30	6	27 3/8	33 3/8	26 5/16	32 5/16	5 5/16	
	6225	FLAT TRIM 3/8" •	24	34 3/4	6	27 3/8	38 1/8	26 5/16	37 1/16	6 15/16	<b>HOSE RACK:</b> 1- 1/2" x 1-1/2" Hose Rack Unit - 100' Hose (3010 or 3110) plus Cosmic 2.5 or Galaxy 2.5-5 lb Extin.
	6226	1-1/4" SQUARE EDGE •	24	34 3/4	6	27 3/8	38 1/8	26 5/16	37 1/16	5 15/16	
	6227	2-1/2" ROLLED EDGE •	24	34 3/4	6	27 3/8	38 1/8	26 5/16	37 1/16	5 5/16	
	6125	FLAT TRIM 3/8" •	24	30	8	27 3/8	33 3/8	26 5/16	32 5/16	8 15/16	<b>HOSE RACK:</b> 2-1/2" x 1-1/2" Hose Rack Unit 50 or 75' Hose (3205, 3207)
	6126	1-1/4" SQUARE EDGE •	24	30	8	27 3/8	33 3/8	26 5/16	32 5/16	7 15/16	
	6127	2-1/2" ROLLED EDGE •	24	30	8	27 3/8	33 3/8	26 5/16	32 5/16	7 5/16	
	6425	FLAT TRIM 3/8" •	24	34 3/4	8	27 3/8	38 1/8	26 5/16	37 1/16	8 15/16	<b>HOSE RACK:</b> 2-1/2" x 1-1/2" Hose Rack Unit - 100' Hose (3210 Series)
	6426	1-1/4" SQUARE EDGE •	24	34 3/4	8	27 3/8	38 1/8	26 5/16	37 1/16	7 15/16	
	6427	2-1/2" ROLLED EDGE •	24	34 3/4	8	27 3/8	38 1/8	26 5/16	37 1/16	7 5/16	
	6625	FLAT TRIM 3/8" •	24	38 3/4	8	27 3/8	42 1/8	26 5/16	41 1/16	8 15/16	<b>HOSE RACK:</b> 2-1/2" x 1-1/2" Hose Rack Unit - 125' Hose (3212 Series)
	6626	1-1/4" SQUARE EDGE •	24	38 3/4	8	27 3/8	42 1/8	26 5/16	41 1/16	7 15/16	
	6627	2-1/2" ROLLED EDGE •	24	38 3/4	8	27 3/8	42 1/8	26 5/16	41 1/16	7 5/16	
	6325	FLAT TRIM 3/8" •	30	30	8	33 3/8	33 3/8	32 5/16	32 5/16	8 15/16	<b>HOSE RACK &amp; FD VALVE OR EXTINGUISHER:</b> 50' or 75' Hose Rack Unit / -1/12" or 2-1/2" Valve/ Exting.(Not Sentinel 15-20, 272)
	6326	1-1/4" SQUARE EDGE •	30	30	8	33 3/8	33 3/8	32 5/16	32 5/16	7 15/16	
	6327	2-1/2" ROLLED EDGE •	30	30	8	33 3/8	33 3/8	32 5/16	32 5/16	7 5/16	
	6525	FLAT TRIM 3/8" •	32 3/4	34 3/4	8	36 1/8	38 1/8	35 1/16	37 1/16	8 15/16	<b>HOSE RACK &amp; FD VALVE OR EXTINGUISHER:</b> 100' Hose Rack Unit/1-1/2" or 2-1/2" Valve/ Extinguisher.(Not Sentinel 15-20, 272)
	6526	1-1/4" SQUARE EDGE •	32 3/4	34 3/4	8	36 1/8	38 1/8	35 1/16	37 1/16	7 15/16	
	6527	2-1/2" ROLLED EDGE •	32 3/4	34 3/4	8	36 1/8	38 1/8	35 1/16	37 1/16	7 5/16	
	7225	FLAT TRIM 3/8" •	32 3/4	38 3/4	8	36 1/8	42 1/8	35 1/16	41 1/16	8 15/16	<b>HOSE RACK &amp; FD VALVE OR EXTINGUISHER:</b> 125' Hose Rack Unit/1-1/2" or 2-1/2" Valve/ Extinguisher (Not Sentinel 15-20, 272)
	7226	1-1/4" SQUARE EDGE •	32 3/4	38 3/4	8	36 1/8	42 1/8	35 1/16	41 1/16	7 15/16	
	7227	2-1/2" ROLLED EDGE •	32 3/4	38 3/4	8	36 1/8	42 1/8	35 1/16	41 1/16	7 5/16	
<b>Cabinets for Fire Department Valves</b>											
	8525	FLAT TRIM 3/8" •	18	18	8	21 3/8	21 3/8	20 5/16	20 5/16	8 15/16	<b>FIRE DEPARTMENT VALVE:</b> 1-1/2" or 2-1/2" Fire Department Valve with Cap and Chain
	8526	1-1/4" SQUARE EDGE •	18	18	8	21 3/8	21 3/8	20 5/16	20 5/16	7 15/16	
	8527	2-1/2" ROLLED EDGE •	18	18	8	21 3/8	21 3/8	20 5/16	20 5/16	7 5/16	
	8425	FLAT TRIM 3/8" •	18	18	10	21 3/8	21 3/8	20 5/16	20 5/16	10 15/16	
	8426	1-1/4" SQUARE EDGE •	18	18	10	21 3/8	21 3/8	20 5/16	20 5/16	9 15/16	
	8427	2 1/2" ROLLED EDGE •	18	18	10	21 3/8	21 3/8	20 5/16	20 5/16	9 5/16	
	8725	FLAT TRIM 3/8" •	26	26	8	29 3/8	29 3/8	28 5/16	28 5/16	8 15/16	<b>DUAL SIDE BY SIDE FIRE DEPARTMENT VALVE &amp; EXTINGUISHER OR 2 FIRE DEPARTMENT VALVES:</b> 1-1/2" or 2-1/2" FD Valve w/Cap and Chain Plus Extinguisher - Cosmic & Galaxy 2.5-10, Mercury 2.5-11, Grenadier, Saturn 15-25, Sentinel 5
	8726	1-1/4" SQUARE EDGE •	26	26	8	29 3/8	29 3/8	28 5/16	28 5/16	7 15/16	
	8727	2-1/2" ROLLED EDGE •	26	26	8	29 3/8	29 3/8	28 5/16	28 5/16	7 5/16	
	8625	FLAT TRIM 3/8" •	26	26	10	26 1/4	26 1/4	28 5/16	28 5/16	10 15/16	
	8626	1-1/4" SQUARE EDGE •	26	26	10	26 1/4	26 1/4	28 5/16	28 5/16	9 15/16	
	8627	2 1/2" ROLLED EDGE •	26	26	10	26 1/4	26 1/4	28 5/16	28 5/16	9 5/16	
	8025	FLAT TRIM 3/8" •	16	40	9	19 3/8	43 3/8	18 5/16	42 5/16	9 15/16	<b>DUAL EXTINGUISHER &amp; FD VALVE CABINET W/SHELF:</b> Shelf is 12" from bottom. Any Extinguisher Except Sentinel 15-20, 272
	8026	1-1/4" SQUARE EDGE •	16	40	9	19 3/8	43 3/8	18 5/16	42 5/16	8 15/16	
	8027	2-1/2" ROLLED EDGE •	16	40	9	19 3/8	43 3/8	18 5/16	42 5/16	8 5/16	