

SUBMITTAL: CROWLINE™ VALVE & HOSE CABINETS - TRIMLESS FX STAINLESS STEEL PG 1 OF 2

Crownline Cabinets Provide A Wide Selection of Door Styles, Glazing and Sizes. These Durable Cabinets are Designed to Industry Standards for Fire Department Valves, Fire Hose Rack Units and Extinguishers. This New Version is Designed to be Installed Under the Drywall, for a Flush Finished Surface.

Door: #4 Brushed finish stainless steel. These flush cabinet doors are attached by a continuous hinge and are equipped with zinc-plated handle and roller catch for all non-locking doors. Doors with glazing have 1-1/4" wide trim.

Flange Style & Depth: Trimless Recessed for 5/8" depth drywall or 3/4" depth plaster. First layer of drywall is to be installed before cabinet, second layer over flange after cabinet is installed.

Tub: The tub is constructed of cold rolled steel with white powder-coat finish standard. Tub forms a flange to cover cut edges of wallboard material. Fire-resistant material is attached to the exterior of the tub. **Knockouts:** Knockouts are not provided on Fire-Rated Cabinets. Instructions for Knockouts in the field are provided, and must be strictly adhered to, to maintain fire rating.

Please note that dimensions for wall opening have changed for the new FX2 design. See Chart on pg 2.

Special Features: Models 8034 has a shelf 12" from the bottom of the cabinet and is designed to hold a fire extinguisher plus FD valve or other accessory. Those models can also be ordered without shelf to allow for lower mounting height of valve piping to meet NFPA10.

Fire-Rating: Fire-FX2™ cabinets are fabricated in accordance with the UL label for one and two hour combustible and non-combustible wall system building codes. The fire testing has met the requirement of ANSI/UL 1479 (ASTM –E814) and ULC/CAN S115-for membrane and penetration firestops. Installation instructions must be strictly adhered to in order to obtain the fire rating.



STEP 1: SELECT MODEL NUMBER, TRIM & QUANTITY (Refer to Chart on Page 2)

STEP 2: SELECT DOOR STYLE WITH HANDLE (Check one box below)

- | | |
|---|---|
| <input type="checkbox"/> F Full Glazing | <input type="checkbox"/> L22 Solid with SAF-T-LOK™ |
| <input type="checkbox"/> G Full Glazing with SAF-T-LOK™ | <input type="checkbox"/> V Vertical Duo |
| <input type="checkbox"/> D Horizontal Duo Panel | <input type="checkbox"/> W Vertical Duo with SAF-T-LOK™ |
| <input type="checkbox"/> E Horizontal Duo Panel with SAF-T-LOK™ | <input type="checkbox"/> B Solid w/Small View Window & SAF-T-LOK™ |
| <input type="checkbox"/> A Center Duo Panel with SAF-T-LOK™ | <input type="checkbox"/> L24 Solid with Cylinder Lock & No Handle |
| <input type="checkbox"/> S21 Solid Door | |

[View Door Styles](#)

STEP 3: SELECT DOOR GLAZING (Check one box below)

- | | |
|---|--|
| <input type="checkbox"/> 10 Clear Acrylic | <input type="checkbox"/> 16 Gray Acrylic |
| <input type="checkbox"/> 13 Clear Wire Glass with Safety Film | <input type="checkbox"/> 17 Clear Tempered Glass |
| <input type="checkbox"/> 15 Bronze Acrylic | <input type="checkbox"/> 18 Laminated Safety Glass |

STEP 4: OPTIONAL FEATURES AT ADDITIONAL COST:

- | | | |
|---|---|---|
| <input type="checkbox"/> #6 Matte Finish Stainless Steel Door | <input type="checkbox"/> 0710 Flush Pull Handle | <input type="checkbox"/> Black Vertical FE Letters LDCVBF E |
| <input type="checkbox"/> #7 Polished Stainless Steel Door | <input type="checkbox"/> P6 Polished Chrome Lever Handle | <input type="checkbox"/> Red Vertical FE Letters LDCVRF E |
| <input type="checkbox"/> #8 Mirror Finish Stainless Steel Door | <input type="checkbox"/> PUF Futura "Fire" Handle __ Mill __ Red __ Black | <input type="checkbox"/> White Vertical FE Letters LDCVWF E |
| <input type="checkbox"/> # 4 Finish Stainless Tub | <input type="checkbox"/> FDVO Decal "Fire Dept Valve" Octagonal 6 x 6" | <input type="checkbox"/> Black Horizontal FE Letters LDCHBF E |
| <input type="checkbox"/> Optional Tub Color: ____ Black ____Red | <input type="checkbox"/> 1403 Decal "Fire Hose" Vert. Blk Bkgd, Red Letters 4 x 9 | <input type="checkbox"/> Red Horizontal FE Letters LDCHRF E |
| <input type="checkbox"/> CA Commander Alarm | <input type="checkbox"/> LDCHFDV-R Diecut "Fire Dept Valve" Horiz. 10-1/4 x 4-3/8 | <input type="checkbox"/> White Horizontal FE Letters LDCHWF E |
| <input type="checkbox"/> BA Brigadier Alarm | <input type="checkbox"/> LDCVRFDV Diecut "Fire Dept Valve" Vert 3/4" x 17" | |

[Etched or Engraved Lettering - Metal/Glass](#)

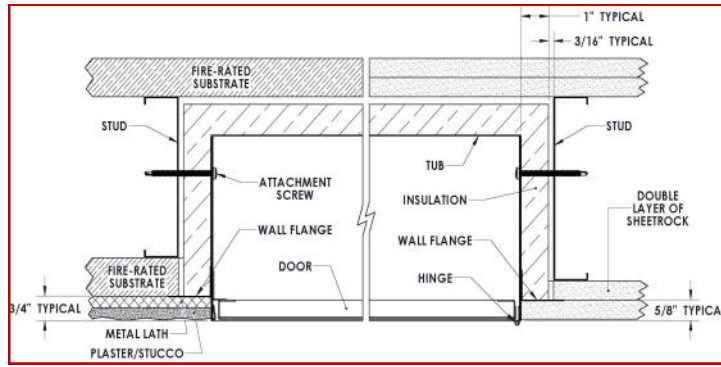
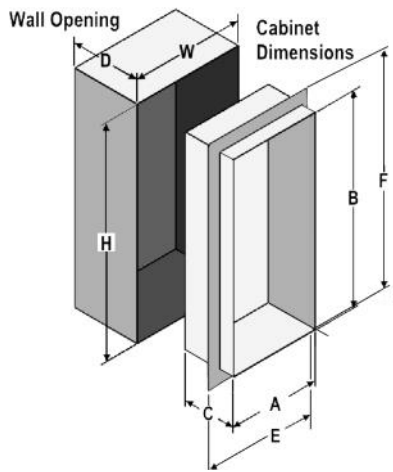
For More Options, Visit These Links to Separate Submittals: [Decals & Die Lettering](#), [Alarms](#), [Pulls & Levers](#), [Fire Extinguishers](#), [Fire Hose Racks](#)

<p>ACTIVAR INC. CONSTRUCTION PRODUCTS GROUP</p> <p>CROWLINE AND SAF-T-LOK ARE TRADEMARKS OF ACTIVAR PLEASE DOWNLOAD MOST CURRENT SUBMITTAL BEFORE ORDERING</p>	Distributor:	Quantity:
	Contractor:	Approved By:
	Model #:	Architect:
	Project:	Date:

Headquarters: 9702 Newton Av S, Bloomington, MN 55431 Ph: 800-554-6077 Fax: 952-835-2218

Email: sales@activarcpg.com www.activarcpg.com **Manufacturing:** Commerce CA & Bloomington MN © 2017 Activar Construction Products Group, Inc.

Warehouses: Ft Myers, FL Dallas TX, Lancaster PA, Atlanta GA, Chicago, IL, Seattle WA, Omaha NE, Fargo ND 8/11/2017



3/4" PLASTER

5/8" DRYWALL

[BIM Objects for REVIT®
Platform 8000 Models](#)

[BIM Objects for REVIT®
Platform 6000/ 7000 Models](#)

ADA Cabinet Mounting Height:
Standard Pull on G, E, W, L22, A and B Door Styles with Saf-T-Lok are 3 5/8" Higher than Door Center, so Allow for that When Mounting Cabinet. Standard Pull with No Lock or ADA Recessed Pull are Centered on Door.

[ADA Information](#)

MODEL		TUB I.D. W x H x D in Inches			FRAME O.D.		RECESSED WALL OPENING			RECOMMENDED HOSE RACK, VALVES & EXTINGUISHERS
QTY	#	A Width	B Height	C Depth	E Width	F Height	Width	Height	Depth	
TRIMLESS FX2 CABINET WITH RECESSED FLANGE FOR INSTALLATION OF 5/8" DRYWALL OVER TRIM Example of Part # 8134HF10FX2 Cabinets with Hose Rack & Extinguisher or FD Valve										
	6034H__FX2	24	30	6	27 1/8	33 1/8	25	31	6 11/16	HOSE RACK: 1- 1/2" x 1-1/2" Hose Rack Unit with 50 or 75' Hose (3005, 3105, 3007, 3107) & Cosmic 2½ or Galaxy 2½- 5 lb Extinguisher
	6234H__FX2	24	34-3/4	6	27 1/8	37 7/8	25	35 3/4	6 11/16	HOSE RACK: 1- 1/2" x 1-1/2" Hose Rack Unit - 100' Hose (3010 or 3110) & Cosmic 2½ or Galaxy 2½- 5 lb Extinguisher
	6134H__FX2	24	30	8	27 1/8	33 1/8	25	31	8 11/16	HOSE RACK: 2-1/2" x 1-1/2" Hose Rack Unit 50 or 75' Hose (3205, 3207)
	6434H__FX2	24	34 3/4	8	27 1/8	37 7/8	25	35 3/4	8 11/16	HOSE RACK: 2-1/2" x 1-1/2" Hose Rack Unit - 100' Hose (3210 Series)
	6634H__FX2	24	38 3/4	8	27 1/8	41 7/8	25	39 3/4	8 11/16	HOSE RACK: 2-1/2" x 1-1/2" Hose Rack Unit - 125' Hose (3212 Series)
	6334H__FX2	30	30	8	33 1/8	33 1/8	31	31	8 11/16	HOSE RACK & FD VALVE OR EXTINGUISHER: 1-1/2" OR 2-1/2" Valve 50' or 75' Hose Rack Unit Plus FD Valve or Extinguisher (Not Sentinel 15-20, 272)
	6534H__FX2	32 3/4	34 3/4	8	35 7/8	37 7/8	33 3/4	35 3/4	8 11/16	HOSE RACK & FD VALVE OR EXTINGUISHER: 1-1/2" OR 2-1/2" Valve, 100' Hose Rack Unit Plus FD Valve or Extinguisher (Not Sentinel 20, 272)
	7234H__FX2	32 3/4	38 3/4	8	35 7/8	41 7/8	33 3/4	39 3/4	8 11/16	HOSE RACK & FD VALVE OR EXTINGUISHER: 1-1/2" OR 2-1/2" Valve , 125' Hose Rack Unit Plus FD Valve or Extinguisher (Not Sentinel 20, 272)
	8534H__FX2	18	18	8	21 1/8	21 1/8	20 5/16	20 5/16	8 11/16	FIRE DEPARTMENT VALVE: 1-1/2" or 2-1/2" Fire Department Valve with Cap and Chain
	8434H__FX2	18	18	10	21 1/8	21 1/8	20 5/16	20 5/16	10 11/16	
	8734H__FX2	26	26	8	29 1/8	29 1/8	28 5/16	28 5/16	8 11/16	DUAL SIDE BY SIDE FD VALVES & EXTINGUISHER OR 2 FD VALVES: 1-1/2" or 2-1/2" with Cap and Chain Plus Extinguisher - Cosmic & Galaxy 2-1/2-10, Mercury 2-1/2-11, Grenadier, Saturn 15-25, Sentinel 5
	8634H__FX2	26	26	10	29 1/8	29 1/8	28 5/16	28 5/16	10 11/16	
	8034H__FX2	16	40	9	19 1/8	43 1/8	18 5/16	42 5/16	9 11/16	DUAL EXTINGUISHER & FD VALVE CABINET W/ SHELF: Any Extinguisher (Except Sentinel 15-20, & 272)
TRIMLESS CABINET WITH RECESSED FLANGE FOR INSTALLATION OF 3/4" PLASTER OVER TRIM Example of Part # 8134DF10FX2 Cabinets with Hose Rack & Extinguisher or FD Valve										
	6034D__FX2	24	30	6	27 1/8	33 1/8	26 5/16	32 5/16	6 11/16	HOSE RACK: 1- 1/2" x 1-1/2" Hose Rack Unit with 50 or 75' Hose (3005, 3105, 3007, 3107) & Cosmic 2½ or Galaxy 2½- 5 lb Extinguisher
	6234D__FX2	24	34-3/4	6	27 1/8	37 7/8	26 5/16	37 1/16	6 11/16	HOSE RACK: 1- 1/2" x 1-1/2" Hose Rack Unit - 100' Hose (3010 or 3110) & Cosmic 2½ or Galaxy 2½- 5 lb Extinguisher
	6134D__FX2	24	30	8	27 1/8	33 1/8	26 5/16	32 5/16	8 11/16	HOSE RACK: 2-1/2" x 1-1/2" Hose Rack Unit 50 or 75' Hose (3205, 3207)
	6434D__FX2	24	34 3/4	8	27 1/8	37 7/8	26 5/16	37 1/16	8 11/16	HOSE RACK: 2-1/2" x 1-1/2" Hose Rack Unit - 100' Hose (3210 Series)
	6634D__FX2	24	38 3/4	8	27 1/8	41 7/8	26 5/16	41 1/16	8 11/16	HOSE RACK: 2-1/2" x 1-1/2" Hose Rack Unit - 125' Hose (3212 Series)
	6334D__FX2	30	30	8	33 1/8	33 1/8	32 5/16	32 5/16	8 11/16	HOSE RACK & FD VALVE OR EXTINGUISHER: 1-1/2" OR 2-1/2" Valve 50' or 75' Hose Rack Unit Plus FD Valve or Extinguisher (Not Sentinel 15-20, 272)
	6534D__FX2	32 3/4	34 3/4	8	35 7/8	37 7/8	35 1/16	37 1/16	8 11/16	HOSE RACK & FD VALVE OR EXTINGUISHER: 1-1/2" OR 2-1/2" Valve, 100' Hose Rack Unit Plus FD Valve or Extinguisher (Not Sentinel 20, 272)
	7234D__FX2	32 3/4	38 3/4	8	35 7/8	41 7/8	35 1/16	41 1/16	8 11/16	HOSE RACK & FD VALVE OR EXTINGUISHER: 1-1/2" OR 2-1/2" Valve, 100' Hose Rack Unit Plus FD Valve or Extinguisher (Not Sentinel 20, 272)
	8534D__FX2	18	18	8	21 1/8	21 1/8	20 5/16	20 5/16	8 11/16	FIRE DEPARTMENT VALVE: 1-1/2" or 2-1/2" Fire Department Valve with Cap and Chain
	8434D__FX2	18	18	10	21 1/8	21 1/8	20 5/16	20 5/16	10 11/16	
	8734D__FX2	26	26	8	29 1/8	29 1/8	28 5/16	28 5/16	8 11/16	DUAL SIDE BY SIDE FD VALVES & EXTINGUISHER OR 2 FD VALVES: 1-1/2" or 2-1/2" with Cap and Chain Plus Extinguisher - Cosmic & Galaxy 2-1/2-10, Mercury 2-1/2-11, Grenadier, Saturn 15-25, Sentinel 5
	8634D__FX2	26	26	10	29 1/8	29 1/8	28 5/16	28 5/16	10 11/16	DUAL SIDE BY SIDE FD VALVES & EXTINGUISHER OR 2 FD VALVES: 1-1/2" or 2-1/2" with Cap and Chain Plus Extinguisher - Cosmic & Galaxy 2-1/2-10, Mercury 2-1/2-11, Grenadier, Saturn 15-25, Sentinel 5
	8034D__FX2	16	40	9	19 1/8	43 1/8	18 5/16	42 5/16	9 11/16	DUAL EXTINGUISHER & FD VALVE CABINET W/ SHELF: Any Extinguisher (Except Sentinel 15-20, & 272)