

Crownline Cabinets Provide A Wide Selection of Door Styles, Glazing and Sizes. These Durable Cabinets are Designed to Industry Standards for Fire Department Valves, Fire Hose Rack Units and Extinguishers. This New Version with Concealed Trim is Designed to be Installed Over Drywall, or Under Plaster for a Flush Finished

Door: #4 Brushed finish stainless steel. These flush cabinet doors are attached by a continuous hinge and are equipped with zinc-plated handle and roller catch for all non-locking doors. Doors with glazing have 1-1/4" wide trim.

Concealed Flange Style: Drywall bead for installation over drywall (WB style) or plaster flange with stop (PW style) with 3/4" plaster allowance. All models meet 4" ADA projection requirement.

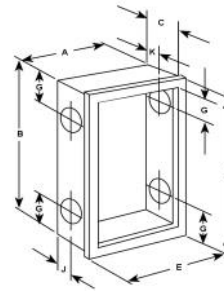
Tub: The tub is constructed of cold rolled steel with silver powder-coat finish standard. Tub includes a 1-1/4" wide flange to cover the wall opening, and is designed to be concealed by drywall, plaster or stucco.

Knockouts: K.O.'s are provided on both sides of the cabinet. K.O.'s on left side will be located using "J" dimension, K.O.'s on right side using "K" dimension and may be offset from K.O.'s on "J" side of cabinet. Models 6034 and 6234 - Specify knockout location. Custom location K.O.'s available.

Special Features: Models 8034 has a shelf 12" from the bottom of the cabinet and is designed to hold a fire extinguisher plus FD valve or other accessory. 8034 can also be ordered without shelf to allow for lower mounting height of valve piping to meet NFPA10.

[BIM Objects for REVIT® Platform 8000 Models](#)

[BIM Objects for REVIT® Platform 6000/ 7000 Models](#)



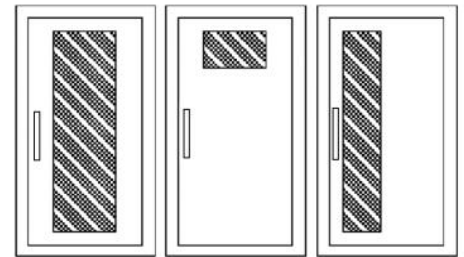
STEP 1: SELECT MODEL NUMBER, TRIM & QUANTITY (Refer to Chart on Page 2)

STEP 2: SELECT DOOR STYLE WITH PULL

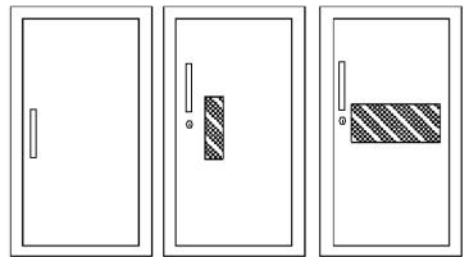
(Check one box below)

- | | |
|--|---|
| <input type="checkbox"/> F Full Glazing | <input type="checkbox"/> L22 Solid with SAF-T-LOK™ |
| <input type="checkbox"/> G Full Glazing with SAF-T-LOK™ | <input type="checkbox"/> V Vertical Duo |
| <input type="checkbox"/> D Horizontal Duo Panel | <input type="checkbox"/> W Vertical Duo with SAF-T-LOK™ |
| <input type="checkbox"/> E Horizontal Dual Panel with SAF-T-LOK™ | <input type="checkbox"/> B10 Small Acrylic View Window & SAF-T-LOK™ |
| <input type="checkbox"/> A Center Duo Panel with SAF-T-LOK™ | <input type="checkbox"/> L24 Solid with Cylinder Lock & No Pull |
| <input type="checkbox"/> S21 Solid Door | |

[View Door Styles](#)



F - Full glass with pull
G - Full glass with pull handle and Saf-T-Lok (Not Shown)
D - Horizontal duo panel with pull
E - Horizontal duo panel with pull and Saf-T-Lok. (Not Shown)
V - Vertical duo panel with pull
W - Vertical duo panel with pull and Saf-T-Lok. (Not Shown)



S21 - Solid with pull
L22 - Solid with pull and Saf-T-Lok
L24 - Solid with cylinder key lock/no pull (L22,24 not shown)
B10 - Vertical acrylic view window 5" x 5" with pull, and Saf-T-Lok
A - Horizontal duo panel with pull and Saf-T-Lok

ADA Cabinet Mounting Height: Standard Pull on G, E, W, L22 and B Door Styles with Saf-T-Lok are 3 5/8" Higher than Door Center, so Allow for that When Mounting Cabinet. Standard Pull with No Lock or ADA Recessed Pull are Centered on Door.

STEP 3: SELECT DOOR GLAZING

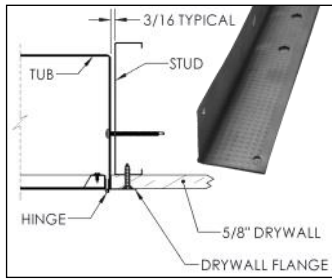
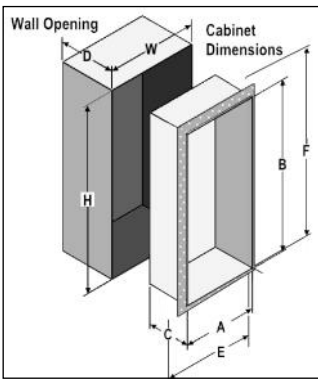
(Check one box below)

- | | |
|---|--|
| <input type="checkbox"/> 10 Clear Acrylic | <input type="checkbox"/> 16 Gray Acrylic |
| <input type="checkbox"/> 13 Clear Wire Glass with Safety Film | <input type="checkbox"/> 17 Clear Tempered Glass |
| <input type="checkbox"/> 15 Bronze Acrylic | <input type="checkbox"/> 18 Laminated Safety Glass |

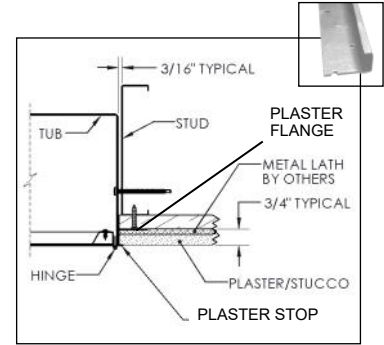
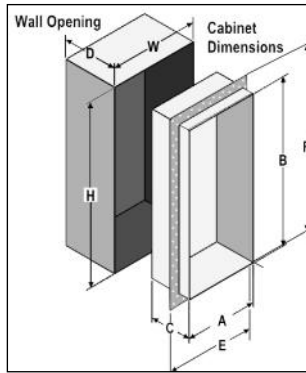
STEP 4: OPTIONAL FEATURES AT ADDITIONAL COST:

- | | | |
|--|---|--|
| <input type="checkbox"/> #6 Matte Finish Stainless Steel Door | <input type="checkbox"/> Futura "Fire" Handle ___ Mill Alum ___ Red ___ White | <input type="checkbox"/> White Vertical FE Letters LDCVWFE |
| <input type="checkbox"/> #7 Polished Stainless Steel Door | <input type="checkbox"/> FDVO Decal "Fire Dept Valve" Octagonal 6 x 6" | <input type="checkbox"/> Black Horizontal FE Letters LDCHBFE |
| <input type="checkbox"/> #8 Mirror Finish Stainless Steel Door | <input type="checkbox"/> 1403 Decal "Fire Hose" Vert. Blk Bkgd, Red Letters 4 x 9 | <input type="checkbox"/> Red Horizontal FE Letters LDCHRF |
| <input type="checkbox"/> 0710 Flush Pull Handle Pulls & Levers | <input type="checkbox"/> LDCHFV-R Diecut "Fire Dept Valve" Horiz. 10-1/4 x 4-3/8 | <input type="checkbox"/> White Horizontal FE Letters LDCHWFE |
| <input type="checkbox"/> P6 Polished Chrome Lever Handle | <input type="checkbox"/> LDCVRFV Diecut "Fire Dept Valve" Vert 3/4" x 17" | Etched or Engraved Lettering - Metal/Glass |
| <input type="checkbox"/> CA Commander Alarm | <input type="checkbox"/> Black Vertical FE Letters LDCVBFE | Decals & Die Lettering |
| <input type="checkbox"/> BA Brigadier Alarm Alarms | <input type="checkbox"/> Red Vertical FE Letters LDCVRF | Fire Extinguishers, Fire Hose Racks |

<p>ACTIVAR INC. CONSTRUCTION PRODUCTS GROUP</p> <p>CROWNLINE AND SAF-T-LOK ARE TRADEMARKS OF ACTIVAR PLEASE DOWNLOAD MOST CURRENT SUBMITTAL BEFORE ORDERING</p>	Distributor:	Quantity:
	Contractor:	Approved By:
	Model #:	Architect:
	Project:	Date:
<p>HEADQUARTERS: 9702 NEWTON AV S, BLOOMINGTON, MN 55431 PH: 800-554-6077 FAX: 952-835-2218</p> <p>EMAIL: SALES@ACTIVARCPG.COM WWW.ACTIVARCPG.COM MANUFACTURING: BLOOMINGTON MN & COMMERCE CA © 2017 Activar Construction Products Group, Inc.</p> <p>WAREHOUSES: DALLAS TX, LANCASTER PA, ATLANTA GA, CHICAGO, IL, SEATTLE WA, OMAHA NE, FARGO ND, FT MYERS FL 8/17/2017</p>		



TRIMLESS FLANGE FOR 5/8" DRYWALL



TRIMLESS RECESSED FLANGE FOR 3/4" PLASTER

TRIM & DOOR MATERIAL & SERIES		TUB I.D. W x H x D in Inches			FRAME O.D.		RECESSED WALL OPENING			KNOCKOUT LOCATIONS			RECOMMENDED HOSE RACK, VALVES & EXTINGUISHERS
QTY	#	A Width	B Height	C Depth	E Width	F Height	Width	Height	Depth	J	G	K	
TRIMLESS CABINET WITH WALLBOARD BEAD TRIM FOR INSTALLATION OVER DRYWALL - Example of Part # 6034WBF10													
	6034WB	24	30	6	26 1/2	32 1/2	25	31	6 1/8	2 1/2	TBD	2 1/2	HOSE RACK: 1- 1/2" x 1-1/2" Hose Rack Unit with 50 or 75' Hose (3005, 3105, 3007, 3107) & Cosmic 2½ or Galaxy 2½- 5 lb Extinguisher
	6234WB	24	34-3/4	6	26 1/2	36 1/4	25	35 3/4	6 1/8	2 1/2	TBD	2 1/2	HOSE RACK: 1- 1/2" x 1-1/2" Hose Rack Unit - 100' Hose (3010 or 3110) & Cosmic 2½ or Galaxy 2½- 5 lb Extinguisher
	6134WB	24	30	8	26 1/2	32 1/2	25	31	8 1/8	4	4	4	HOSE RACK: 2-1/2" x 1-1/2" Hose Rack Unit 50 or 75' Hose (3205, 3207)
	6434WB	24	34 3/4	8	26 1/2	36 1/4	25	35 3/4	8 1/8	4	4	4	HOSE RACK: 2-1/2" x 1-1/2" Hose Rack Unit - 100' Hose (3210 Series)
	6634WB	24	38 3/4	8	26 1/2	41 1/4	25	39 3/4	8 1/8	4	4	4	HOSE RACK: 2-1/2" x 1-1/2" Hose Rack Unit - 125' Hose (3212 Series)
	6334WB	30	30	8	32 1/2	32 1/2	31	31	8 1/8	4	4	4	HOSE RACK & FD VALVE OR EXTINGUISHER: 1-1/2" OR 2-1/2" Valve 50' or 75' Hose Rack Unit Plus FD Valve or Extinguisher (Not Sentinel 15-20, 272)
	6534WB	32 3/4	34 3/4	8	35 1/4	36 1/4	33 3/4	35 3/4	8 1/8	4	4	4	HOSE RACK & FD VALVE OR EXTINGUISHER: 1-1/2" OR 2-1/2" Valve, 100' Hose Rack Unit Plus FD Valve or Extinguisher (Not Sentinel 20, 272)
	7234WB	32 3/4	38 3/4	8	35 1/4	41 1/4	33 3/4	39 3/4	8 1/8	4	4	4	HOSE RACK & FD VALVE OR EXTINGUISHER: 1-1/2" OR 2-1/2" Valve, 125' Hose Rack Unit Plus FD Valve or Extinguisher (Not Sentinel 20, 272)
	8534WB	18	18	8	20 1/2	20 1/2	19	19	8 1/8	4	9	4	FIRE DEPARTMENT VALVE: 1-1/2" or 2-1/2" Fire Department Valve with Cap and Chain
	8434WB	18	18	10	20 1/2	20 1/2	19	19	10 1/8	5	9	5	DUAL SIDE BY SIDE FD VALVES & EXTINGUISHER OR 2 FD VALVES: 1-1/2" or 2-1/2" with Cap and Chain Plus Extinguisher - Cosmic & Galaxy 2-1/2 -10, Mercury 2-1/2-11, Grenadier, Saturn 15-25, Sentinel 5
	8734WB	26	26	8	28 1/2	28 1/2	27	27	8 1/8	4	13	4	
	8634WB	26	26	10	28 1/2	28 1/2	27	27	10 1/8	5	13	5	DUAL EXTINGUISHER & FD VALVE CABINET W/ SHELF: Any Extinguisher (Except Sentinel 15-20, & 272)
	8034WB	16	40	9	18 1/2	42 1/2	17	41	9 1/8	4 1/4	6	4 1/4	
TRIMLESS CABINET WITH RECESSED FLANGE FOR INSTALLATION OF 3/4" PLASTER OVER TRIM - Example of Part # 6234PWF10													
	6034 PW	24	30	6	26 1/2	32 1/2	25	31	6 1/8	2 1/2	TBD	2 1/2	HOSE RACK: 1- 1/2" x 1-1/2" Hose Rack Unit with 50 or 75' Hose (3005, 3105, 3007, 3107) & Cosmic 2½ or Galaxy 2½- 5 lb Extinguisher
	6234 PW	24	34-3/4	6	26 1/2	36 1/4	25	35 3/4	6 1/8	2 1/2	TBD	2 1/2	HOSE RACK: 1- 1/2" x 1-1/2" Hose Rack Unit - 100' Hose (3010 or 3110) & Cosmic 2½ or Galaxy 2½- 5 lb Extinguisher
	6134 PW	24	30	8	26 1/2	32 1/2	25	31	8 1/8	4	4	4	HOSE RACK: 2-1/2" x 1-1/2" Hose Rack Unit 50 or 75' Hose (3205, 3207)
	6434 PW	24	34 3/4	8	26 1/2	36 1/4	25	35 3/4	8 1/8	4	4	4	HOSE RACK: 2-1/2" x 1-1/2" Hose Rack Unit - 100' Hose (3210 Series)
	6634 PW	24	38 3/4	8	26 1/2	41 1/4	25	39 3/4	8 1/8	4	4	4	HOSE RACK: 2-1/2" x 1-1/2" Hose Rack Unit - 125' Hose (3212 Series)
	6334 PW	30	30	8	32 1/2	32 1/2	31	31	8 1/8	4	4	4	HOSE RACK & FD VALVE OR EXTINGUISHER: 1-1/2" OR 2-1/2" Valve 50' or 75' Hose Rack Unit Plus FD Valve or Extinguisher (Not Sentinel 15-20, 272)
	6534 PW	32 3/4	34 3/4	8	35 1/4	36 1/4	33 3/4	35 3/4	8 1/8	4	4	4	HOSE RACK & FD VALVE OR EXTINGUISHER: 1-1/2" OR 2-1/2" Valve, 100' Hose Rack Unit Plus FD Valve or Extinguisher (Not Sentinel 20, 272)
	7234 PW	32 3/4	38 3/4	8	35 1/4	41 1/4	33 3/4	39 3/4	8 1/8	4	4	4	HOSE RACK & FD VALVE OR EXTINGUISHER: 1-1/2" OR 2-1/2" Valve, 125' Hose Rack Unit Plus FD Valve or Extinguisher (Not Sentinel 20, 272)
	8534 PW	18	18	8	20 1/2	20 1/2	19	19	8 1/8	4	9	4	FIRE DEPARTMENT VALVE: 1-1/2" or 2-1/2" Fire Department Valve with Cap and Chain
	8434 PW	18	18	10	20 1/2	20 1/2	19	19	10 1/8	5	9	5	DUAL SIDE BY SIDE FD VALVES & EXTINGUISHER OR 2 FD VALVES: 1-1/2" or 2-1/2" with Cap and Chain Plus Extinguisher - Cosmic & Galaxy 2-1/2 -10, Mercury 2-1/2-11, Grenadier, Saturn 15-25, Sentinel 5
	8734 PW	26	26	8	28 1/2	28 1/2	27	27	8 1/8	4	13	4	
	8634 PW	26	26	10	28 1/2	28 1/2	27	27	10 1/8	5	13	5	DUAL EXTINGUISHER & FD VALVE CABINET W/ SHELF: Any Extinguisher (Except Sentinel 15-20, & 272)
	8034 PW	16	40	9	18 1/2	42 1/2	17	41	9 1/8	4 1/4	6	4 1/4	