

# SUBMITTAL: CROWLINE™ VALVE & HOSE CABINETS TRIMLESS STEEL PG 1 OF 2

Crownline Cabinets Provide A Wide Selection of Door Styles, Glazing and Sizes. These Durable Cabinets are Designed to Industry Standards for Fire Department Valves, Fire Hose Rack Units and Extinguishers. This New Version with Concealed Trim is Designed to be Installed Over Drywall, or Under Plaster for a Flush Finished Surface.

**Door** Cold rolled steel with white powder-coated finish standard. Flush cabinet doors are attached by a continuous hinge and equipped with zinc-plated handle and roller catch. Doors with glazing have 1-1/4" Wide trim.

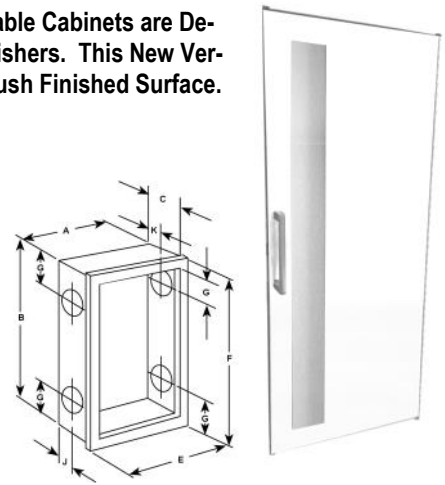
**Concealed Flange Style:** Drywall bead for installation over drywall (WB style) or plaster flange with stop (PW style) with 3/4" plaster allowance.

**Tub:** The tub is constructed of cold rolled steel with white powder-coat finish standard. Tub includes a 1-1/4" wide flange to cover the wall opening, and is designed to be concealed by drywall, plaster or stucco.

**Knockouts:** K.O.'s are provided on both sides of the cabinet. K.O.'s on left side will be located using "J" dimension, K.O.'s on right side using "K" dimension and may be offset from K.O.'s on "J" side of cabinet. Models 6014 and 6214 - Specify knockout location. Custom location K.O.'s available.

**Special Features:** Models 8014 has a shelf 12" from the bottom of the cabinet is designed to hold a fire extinguisher plus FD valve or other accessory. 8014 can also be ordered without shelf to allow for lower mounting height of valve piping to meet NFPA10.

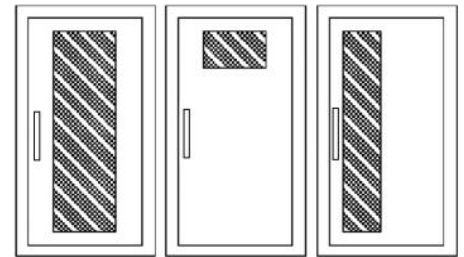
**Fire-Rated Option Available:** Yes - [See separate submittal.](#)



## STEP 1: SELECT MODEL NUMBER, TRIM & QUANTITY (Refer to Chart on Page 2 )

### STEP 2: SELECT DOOR STYLE WITH PULL (Check one box below)

- |  |   |
|--|---|
| <input type="checkbox"/> F Full Glazing                          | <input type="checkbox"/> L22 Solid with SAF-T-LOK™                  |
| <input type="checkbox"/> G Full Glazing with SAF-T-LOK™          | <input type="checkbox"/> V Vertical Duo                             |
| <input type="checkbox"/> D Horizontal Duo Panel                  | <input type="checkbox"/> W Vertical Duo with SAF-T-LOK™             |
| <input type="checkbox"/> E Horizontal Dual Panel with SAF-T-LOK™ | <input type="checkbox"/> B10 Small Acrylic View Window & SAF-T-LOK™ |
| <input type="checkbox"/> A Center Duo Panel with SAF-T-LOK™      | <input type="checkbox"/> L24 Solid with Cylinder Lock & No Handle   |
| <input type="checkbox"/> S21 Solid Door                          | <a href="#">View Door Styles</a>                                    |

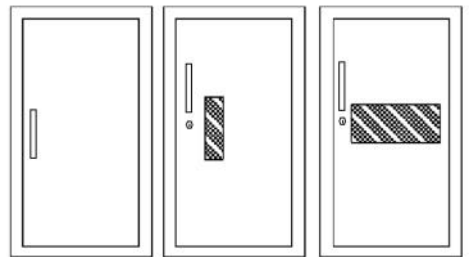


F - Full glass with pull  
G - Full glass with pull handle and Saf-T-Lok (Not Shown)  
D - Horizontal duo panel with pull  
E - Horizontal duo panel with pull and Saf-T-Lok. (Not Shown)  
V - Vertical duo panel with pull  
W - Vertical duo panel with pull and Saf-T-Lok. (Not Shown)

**ADA Cabinet Mounting Height:** Standard Pull on G, E, W, L22 and B Door Styles with Saf-T-Lok are 3 5/8" Higher than Door Center, so Allow for that When Mounting Cabinet. Standard Pull with No Lock or ADA Recessed Pull are Centered on Door.

### STEP 3: SELECT DOOR GLAZING (Check one box below)

- |   |  |
|---|--|
| <input type="checkbox"/> 10 Clear Acrylic                     | <input type="checkbox"/> 16 Gray Acrylic           |
| <input type="checkbox"/> 13 Clear Wire Glass with Safety Film | <input type="checkbox"/> 17 Clear Tempered Glass   |
| <input type="checkbox"/> 15 Bronze Acrylic                    | <input type="checkbox"/> 18 Laminated Safety Glass |



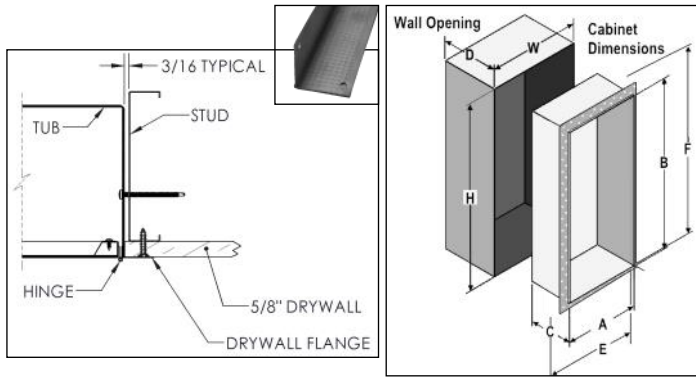
S21 - Solid with pull  
L22 - Solid with pull and Saf-T-Lok  
L24 - Solid with cylinder key lock/no pull (L22,24 not shown)  
B10 - Vertical acrylic view window 5" x 5" with pull, and Saf-T-Lok  
A - Horizontal duo panel with pull and Saf-T-Lok

### STEP 4: OPTIONAL FEATURES AT ADDITIONAL COST:

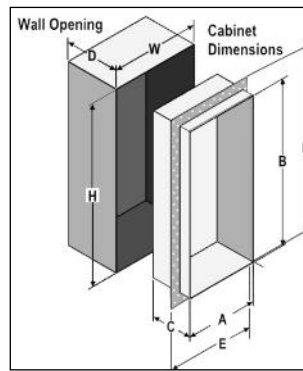
- |   |   |  |
|---|---|--|
| <input type="checkbox"/> <b>Optional Colors:</b> Tub, Hinge and Door will be Painted in a Single Color - Select from Below.<br>___ Sand ___ AMS Beige ___ SC Flat Beige<br>___ Gray ___ Bronze ___ Silver ___ Black<br>___ Red ___ Flat Black | <input type="checkbox"/> Futura "Fire" Handle ___ Mill Alum ___ Red ___ White     | <input type="checkbox"/> Black Vertical FE Letters LDCVBF E        |
| <input type="checkbox"/> CA Commander Alarm   | <input type="checkbox"/> 0710 Flush Pull Handle                                   | <input type="checkbox"/> Red Vertical FE Letters LDCVRF E          |
| <input type="checkbox"/> BA Brigadier Alarm   | <input type="checkbox"/> P6 Polished Chrome Lever Handle                          | <input type="checkbox"/> White Vertical FE Letters LDCVWF E        |
|   | <input type="checkbox"/> FDVO Decal "Fire Dept Valve" Octagonal 6 x 6"            | <input type="checkbox"/> Black Horizontal FE Letters LDCHBF E      |
|   | <input type="checkbox"/> 1403 Decal "Fire Hose" Vert. Blk Bkgd, Red Letters 4 x 9 | <input type="checkbox"/> Red Horizontal FE Letters LDCHRF E        |
|   | <input type="checkbox"/> LDCHFDV-R Diecut "Fire Dept Valve" Horiz. 10-1/4 x 4-3/8 | <input type="checkbox"/> White Horizontal FE Letters LDCHWF E      |
|   | <input type="checkbox"/> LDCVRFDV Diecut "Fire Dept Valve" Vert 3/4: x 17"        | <input type="checkbox"/> (MC) Magnetic Catch—Replaces Roller Catch |

For More Options, Visit These Links to Separate Submittals: [Decals & Die Lettering](#), [Alarms](#), [Pulls & Levers](#), [Fire Extinguishers](#), [Fire Hose Racks](#), [Etched or Engraved Lettering - Metal/Glass](#)

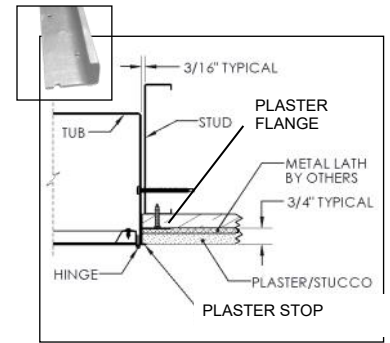
<p><b>ACTIVAR INC.</b> CONSTRUCTION PRODUCTS GROUP</p> <p>CROWLINE AND SAF-T-LOK ARE TRADEMARKS OF ACTIVAR PLEASE DOWNLOAD MOST CURRENT SUBMITTAL BEFORE ORDERING</p>	Distributor:	Quantity:
	Contractor:	Approved By:
	Model #:	Architect:
	Project:	Date:
	<p>HEADQUARTERS: 9702 NEWTON AV S, BLOOMINGTON, MN 55431 PH: 800-554-6077 FAX: 952-835-2218</p> <p>EMAIL: SALES@ACTIVARCPG.COM WWW.ACTIVARCPG.COM MANUFACTURING: COMMERCE CA &amp; BLOOMINGTON MN © 2017 Activar Construction Products Group, Inc.</p> <p>WAREHOUSES: DALLAS TX, LANCASTER PA, ATLANTA GA, CHICAGO, IL, SEATTLE WA, OMAHA NE, FARGO ND, FT MYERS FL 8/17/2017</p>	



TRIMLESS FLANGE FOR 5/8" DRYWALL



TRIMLESS RECESSED FLANGE FOR 3/4" PLASTER



TRIM & DOOR MATERIAL & SERIES		TUB I.D. W x H x D in Inches			FRAME O.D.		RECESSED WALL OPENING			KNOCKOUT LOCATIONS			RECOMMENDED HOSE RACK, VALVES & EXTINGUISHERS
QTY	#	A Width	B Height	C Depth	E Width	F Height	Width	Height	Depth	J	G	K	

**TRIMLESS CABINET WITH WALLBOARD BEAD TRIM FOR INSTALLATION OVER DRYWALL - Example of Part # 6014WBF10**

	6014WB	24	30	6	26 1/2	32 1/2	25	31	6 1/8	2 1/2	TBD	2 1/2	HOSE RACK: 1- 1/2" x 1-1/2" Hose Rack Unit with 50 or 75' Hose (3005, 3105, 3007, 3107) & Cosmic 2½ or Galaxy 2½- 5 lb Extinguisher
	6214WB	24	34-3/4	6	26 1/2	36 1/4	25	35 3/4	6 1/8	2 1/2	TBD	2 1/2	HOSE RACK: 1- 1/2" x 1-1/2" Hose Rack Unit - 100' Hose (3010 or 3110) & Cosmic 2½ or Galaxy 2½- 5 lb Extinguisher
	6114WB	24	30	8	26 1/2	32 1/2	25	31	8 1/8	4	4	4	HOSE RACK: 2-1/2" x 1-1/2" Hose Rack Unit 50 or 75' Hose (3205, 3207)
	6414WB	24	34 3/4	8	26 1/2	36 1/4	25	35 3/4	8 1/8	4	4	4	HOSE RACK: 2-1/2" x 1-1/2" Hose Rack Unit - 100' Hose (3210 Series)
	6614WB	24	38 3/4	8	26 1/2	41 1/4	25	39 3/4	8 1/8	4	4	4	HOSE RACK: 2-1/2" x 1-1/2" Hose Rack Unit - 125' Hose (3212 Series)
	6314WB	30	30	8	32 1/2	32 1/2	31	31	8 1/8	4	4	4	HOSE RACK & FD VALVE OR EXTINGUISHER: 1-1/2" OR 2-1/2" Valve 50' or 75' Hose Rack Unit Plus FD Valve or Extinguisher (Not Sentinel 15-20, 272)
	6514WB	32 3/4	34 3/4	8	35 1/4	36 1/4	33 3/4	35 3/4	8 1/8	4	4	4	HOSE RACK & FD VALVE OR EXTINGUISHER: 1-1/2" OR 2-1/2" Valve, 100' Hose Rack Unit Plus FD Valve or Extinguisher (Not Sentinel 20, 272)
	7214WB	32 3/4	38 3/4	8	35 1/4	41 1/4	33 3/4	39 3/4	8 1/8	4	4	4	HOSE RACK & FD VALVE OR EXTINGUISHER: 1-1/2" OR 2-1/2" Valve , 125' Hose Rack Unit Plus FD Valve or Extinguisher (Not Sentinel 20, 272)
	8514WB	18	18	8	20 1/2	20 1/2	19	19	8 1/8	4	9	4	FIRE DEPARTMENT VALVE: 1-1/2" or 2-1/2"
	8414WB	18	18	10	20 1/2	20 1/2	19	19	10 1/8	5	9	5	Fire Department Valve with Cap and Chain
	8714WB	26	26	8	28 1/2	28 1/2	27	27	8 1/8	4	13	4	DUAL SIDE BY SIDE FD VALVES & EXTINGUISHER OR 2 FD
	8614WB	26	26	10	28 1/2	28 1/2	27	27	10 1/8	5	13	5	VALVES: 1-1/2" or 2-1/2" with Cap and Chain Plus Extinguisher - Cosmic & Galaxy 2-1/2-10, Mercury 2-1/2-11, Grenadier, Saturn 15-25, Sentinel 5
	8014WB	16	40	9	18 1/2	42 1/2	17	41	9 1/8	4 1/4	6	4 1/4	DUAL EXTINGUISHER & FD VALVE CABINET W/ SHELF: Any Extinguisher (Except Sentinel 15-20, & 272)

**TRIMLESS CABINET WITH RECESSED FLANGE FOR INSTALLATION OF 3/4" PLASTER OVER TRIM - Example of Part # 6214PWF10**

	6014 PW	24	30	6	26 1/2	32 1/2	25	31	6 1/8	2 1/2	TBD	2 1/2	HOSE RACK: 1- 1/2" x 1-1/2" Hose Rack Unit with 50 or 75' Hose (3005, 3105, 3007, 3107) & Cosmic 2½ or Galaxy 2½- 5 lb Extinguisher
	6214 PW	24	34-3/4	6	26 1/2	36 1/4	25	35 3/4	6 1/8	2 1/2	TBD	2 1/2	HOSE RACK: 1- 1/2" x 1-1/2" Hose Rack Unit - 100' Hose (3010 or 3110) & Cosmic 2½ or Galaxy 2½- 5 lb Extinguisher
	6114 PW	24	30	8	26 1/2	32 1/2	25	31	8 1/8	4	4	4	HOSE RACK: 2-1/2" x 1-1/2" Hose Rack Unit 50 or 75' Hose (3205, 3207)
	6414 PW	24	34 3/4	8	26 1/2	36 1/4	25	35 3/4	8 1/8	4	4	4	HOSE RACK: 2-1/2" x 1-1/2" Hose Rack Unit - 100' Hose (3210 Series)
	6614 PW	24	38 3/4	8	26 1/2	41 1/4	25	39 3/4	8 1/8	4	4	4	HOSE RACK: 2-1/2" x 1-1/2" Hose Rack Unit - 125' Hose (3212 Series)
	6314 PW	30	30	8	32 1/2	32 1/2	31	31	8 1/8	4	4	4	HOSE RACK & FD VALVE OR EXTINGUISHER: 1-1/2" OR 2-1/2" Valve 50' or 75' Hose Rack Unit Plus FD Valve or Extinguisher (Not Sentinel 15-20, 272)
	6514 PW	32 3/4	34 3/4	8	35 1/4	36 1/4	33 3/4	35 3/4	8 1/8	4	4	4	HOSE RACK & FD VALVE OR EXTINGUISHER: 1-1/2" OR 2-1/2" Valve, 100' Hose Rack Unit Plus FD Valve or Extinguisher (Not Sentinel 20, 272)
	7214 PW	32 3/4	38 3/4	8	35 1/4	41 1/4	33 3/4	39 3/4	8 1/8	4	4	4	HOSE RACK & FD VALVE OR EXTINGUISHER: 1-1/2" OR 2-1/2" Valve , 125' Hose Rack Unit Plus FD Valve or Extinguisher (Not Sentinel 20, 272)
	8514 PW	18	18	8	20 1/2	20 1/2	19	19	8 1/8	4	9	4	FIRE DEPARTMENT VALVE: 1-1/2" or 2-1/2"
	8414 PW	18	18	10	20 1/2	20 1/2	19	19	10 1/8	5	9	5	Fire Department Valve with Cap and Chain
	8714 PW	26	26	8	28 1/2	28 1/2	27	27	8 1/8	4	13	4	DUAL SIDE BY SIDE FD VALVES & EXTINGUISHER OR 2 FD
	8614 PW	26	26	10	28 1/2	28 1/2	27	27	10 1/8	5	13	5	VALVES: 1-1/2" or 2-1/2" with Cap and Chain Plus Extinguisher - Cosmic & Galaxy 2-1/2-10, Mercury 2-1/2-11, Grenadier, Saturn 15-25, Sentinel 5
	8014 PW	16	40	9	18 1/2	42 1/2	17	41	9 1/8	4 1/4	6	4 1/4	DUAL EXTINGUISHER & FD VALVE CABINET W/ SHELF: Any Extinguisher (Except Sentinel 15-20, & 272)