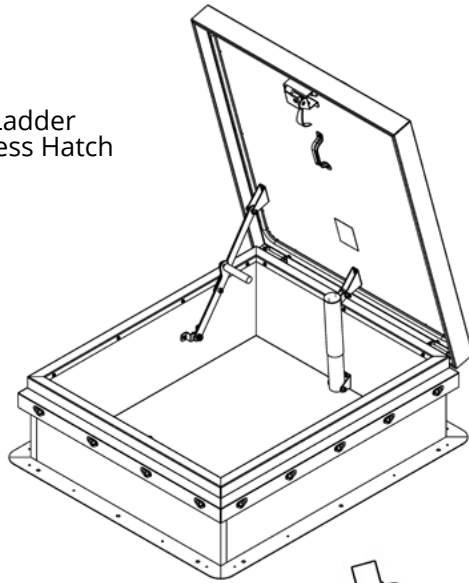
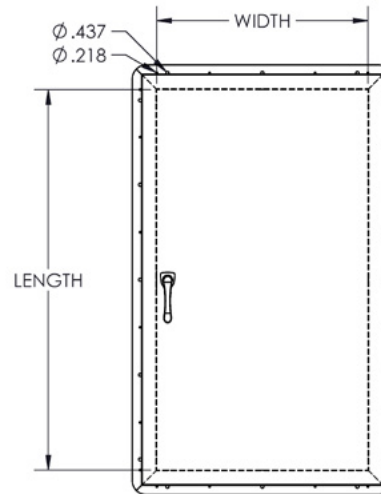
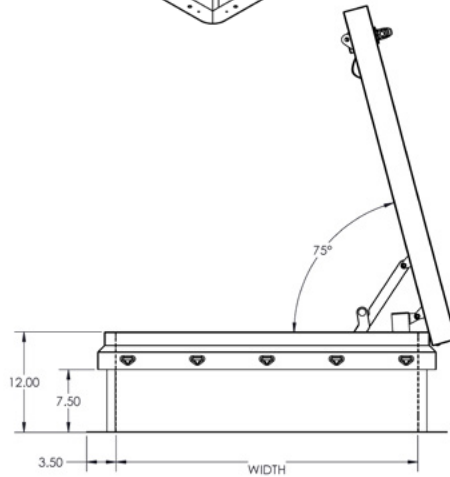
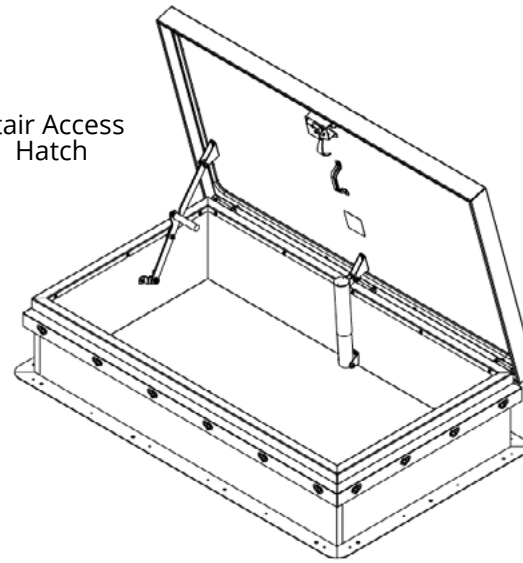


# ROOF HATCH- Diamond Series™ RHDA Aluminum

Ladder Access Hatch



Stair Access Hatch



**ADDITIONAL FEATURES:**

- \_\_\_ White Textured Finish (WT)
- \_\_\_ Gray Textured Finish (GT)
- \_\_\_ Red Textured Finish (RT)
- \_\_\_ Bronze Textured Finish (BT)
- \_\_\_ R-9, 1.5" Polyiso Curb (IP)
- \_\_\_ R-12, 2" Polyiso Curb (IT)
- \_\_\_ 3/4" Wood Nailer (IW)
- \_\_\_ 1" Fiberboard (IF)
- \_\_\_ Curb Double Wall (CD)
- \_\_\_ Curb Heights from 13" to 22" (H13-H22)
- \_\_\_ Stainless 316 Hinge Pin (SP)
- \_\_\_ Stainless Hardware (SS)
- \_\_\_ Fluoropolymer Finish with 10 Year Warranty (Use Color Code)
- \_\_\_ Fluoropolymer Finish with 20 Year Warranty (Use Color Code)

**SPECIFICATIONS:**

- (1) Curb: Single wall curb and counterflashing with Diamond Grip to secure roof membrane without tools.
  - 11 gauge aluminum, mill finish
- (2) Cover: Formed and welded with liner, tested to support a live load of 40psf.
  - 11 gauge with 18 gauge liner aluminum, mill finish
- (3) Gasket: Continuous, weatherproof EPDM sponge rubber adhesive-backed seal.
- (4) Insulation: 1" polyisocyanurate in curb and cover with thermal resistance R-6.
- (5) Spring: Counterbalanced compression springs contained in clear zinc-plated steel cylinders.
- (6) Latch: Clear zinc-plated steel slam latch with inside and outside handles and padlock hasps. Tested to 50psf wind uplift.
- (7) Hold Open Arm: Clear zinc-plated automatic locking hold open arm with red vinyl grip for one handed door operation.
- (8) Hinge: Heavy duty clear zinc-plated steel pintle hinge.

Notes: For pitched roofs up to 7:12, mount hinge side parallel to slope. Door opens 75°.

Min Size: 24" X 24" | Max Size: 48" X 96"

*Diamond Series™ is a trademark of Activar Construction Products Group, Inc.*

QTY	SIZE W x L	ALUMINUM	TYPE
	36" x 30"	RHDA-1	LADDER
	30" x 54"	RHDA-2	STAIR
	30" x 96"	RHDA-3	STAIR
	36" x 36"	RHDA-4	LADDER
	48" x 48"	RHDA-5	LADDER
	32" x 72"	RHDA-6	STAIR
	37" x 30"	RHDA-7	LADDER
		Custom Size	

*Custom sizes available - enter size above*



800-554-6077  
 sales@activarcpg.com  
 www.activarcpg.com

9702 Newton Ave S. Bloomington, MN 55431 | Many Locations Nationwide

Distributor:		Project:
Contractor:		Approved By:
Date:		Architect:
Scale: N/A	Pages: 1 of 1	Item #: