

ADA GUIDELINES ON POSITIONING OF VISION LITES IN DOORS

206.5.2 Rooms and Spaces

Within a building or facility, at least one door, doorway, or gate serving each room or space complying with these requirements shall comply with 404.

404.2.11 Vision Lights

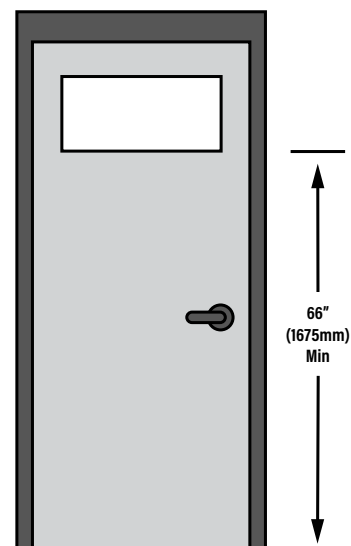
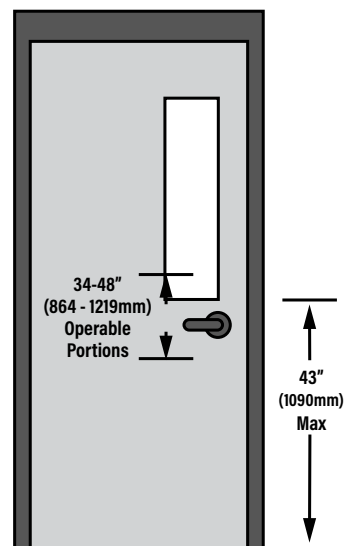
Doors, gates, and side lights adjacent to doors or gates, containing one or more glazing panels that permit viewing through the panels shall have the bottom of at least one glazed panel located 43 inches (1090 mm) maximum above the finish floor.

EXCEPTION: Vision lights with the lowest part more than 66 inches (1675 mm) from the finish floor or ground shall not be required to comply with 404.2.11.

Note: Avoid conflicts with door handles or panic bars by careful planning of the vision lite location.

For more information: 404.2.7 Door and Gate Hardware

Excerpted from ADA Guidelines:
[Chapter 2](#) & [Chapter 4](#)



This document is a guideline only, as interpretation of building codes may vary. Consult your local AHJ for appropriate standards in your area