

Model CTE for Plaster Wall or Ceilings - Door face has lath in 5/8" recess, and the frame features a recessed plaster stop and door and frame with metal lath to accept application of plaster to match surrounding walls. A continuous hinge, ensures easy opening of the panel. Screwdriver operated cam locks are provided, the size of the door determining the number.

SPECIFICATIONS:

Door Panel: Recessed 5/8" with metal lath over 16 gauge steel.

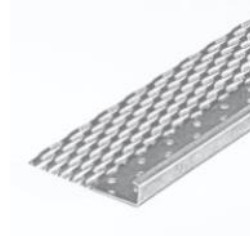
Frame: 14 gauge steel with 2-3/4" wide flange with metal lath and 3/4" deep plaster stop for a plaster application to the edge of the door.

Finish: White powder coat paint.

Hinge: Continuous recessed hinge mounted on the long side of panels.

Lock: Flush screwdriver-operated steel cam standard (C). Sleeve provided to allow access to lock after finishing.

Sizes: Minimum 8" x 8". Maximum walls—36" x 36", ceilings—24" x 48"



Metal lath with 3/4" deep plaster stop.

STEP 1: SELECT MODEL NUMBER AND QUANTITY ON CHART OR ENTER OTHER SIZE BELOW:

___ W x ___ H

STEP 2: SELECT MATERIAL

___ CTE Steel

___ CTEG Galvanneal Steel (Additional Cost)

STEP 3: SELECT OPTIONAL FEATURES AT ADDITIONAL COST:

- Optional color Code: ___ - see page 2
- (L) Cylinder lock installed
- (C2) Torx head cam
- (C3) Spanner head cam
- (C4) Hex head cam
- (M1) Mortise cam lock prep 1-1/8" dia, 1-1/4" L
- (M2) Mortise cam lock (06431) installed
- 14 Gauge frame and 14 gauge door




Standard Cam Latch

Order Format Example: **CTE-2424LW**

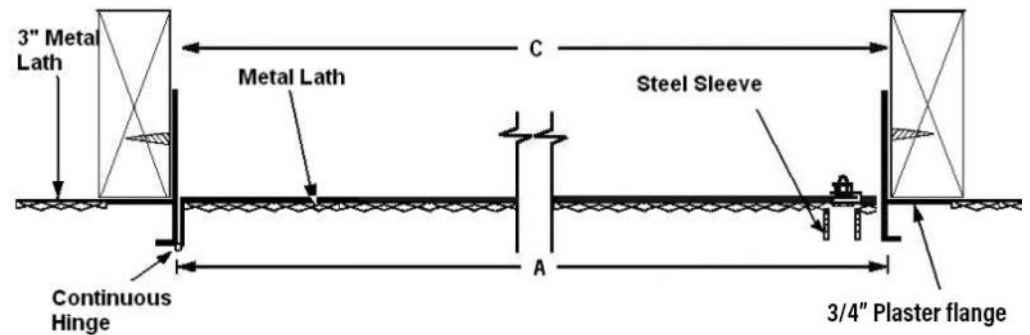
CTE - **Width** **Height** **Lock (C Std or Optional Lock/Latch Code)** - **Color** - **Options**

LATCH AND LOCK OPTIONS

Cylinder Lock (L)	Optional Torx Head Cam (C2)	Optional Spanner Head Cam (C3)	Optional Hex Head Cam (C4)	Mortise Lock (M2)

 <p>JL INDUSTRIES</p> <p>©2022 ACTIVAR CONSTRUCTION PRODUCTS GROUP, INC.— CTE™ IS A TRADEMARK OF ACTIVAR</p>	Distributor:	Quantity:
	Contractor:	Approved By:
	Model #:	Architect:
	Project:	Date:
<p>HEADQUARTERS: 9702 NEWTON AVE S, BLOOMINGTON, MN 55431 PH: 800-554-6077 EMAIL: SALES@ACTIVARCPG.COM WWW.ACTIVARCPG.COM</p> <p>MANUFACTURING: BLOOMINGTON, MN & COMMERCE, CA WAREHOUSES: SEE WEBSITE FOR LOCATIONS 5/6/2022</p>		

QTY	A - MODEL SIZE = DOOR SIZE	C - WALL OPENING DIMENSIONS		APPROX. SHIP- PING WEIGHT	LATCH (ES)
	WIDTH X HEIGHT	WIDTH	HEIGHT		
	12" x 12"	12 1/4 "	12 1/4 "	9 lbs	1
	12" x 24"	12 1/4 "	24 1/4 "	14 lbs	2
	18" x 18"	18 1/4 "	18 1/4 "	15 lbs	3
	22" x 30"	22 1/4 "	30 1/4 "	26 lbs	4
	24" x 24"	24 1/4 "	24 1/4 "	24 lbs	4
	24" x 36"	24 1/4 "	36 1/4 "	35 lbs	5
	36" x 36"	36 1/4 "	36 1/4 "	53 lbs	6



Standard Color is White, Optional Colors at Additional Cost - Samples Available

