

# SUBMITTAL: FD2™ SERIES 2 HR OVERSIZE FIRE-RATED ACCESS PANEL

The oversized Maxam 2 hour fire-rated, insulated access panels are for wall and ceiling applications. Largest industry sizes available which are ideal for equipment access applications.

**SPECIFICATIONS:**

- Frame Material:** 16 Gauge (1.61 mm) galvaneal steel up to 30" x 48" (762 mm x 1219 mm) and 14 gauge (1.99 mm) for larger sizes
- Flange:** Exposed flange width is 7/8" (22 mm) up to 36" x 36" (914mm x 914 mm) or 1-1/4" (32 mm) for larger sizes
- Door Material:** 18 Gauge (1.31 mm) galvaneal steel with 22 gauge (0.85 mm) liner
- Finish:** Off white prime coat
- Insulation:** 1-1/2" (38 mm) High temperature insulation
- Closer:** Zinc plated steel tension springs
- Hinge:** Concealed rod hinge
- Latch:** 1/4" Allen key

**Sizes:**

- Minimum Size:** 8" x 8" (203 mm x 203 mm)
- Maximum Wall Size:** 48" x 60" (1219 mm x 1524 mm)
- Maximum Ceiling Size:** 36" x 36" (914 mm x 914 mm) or 30" x 48" (762 mm x 1219 mm)

Clear Opening Size = R.O. Width minus 3", Height minus 1-1/2"



**STEP 1: SELECT MODEL NUMBER AND QUANTITY ON CHART—PAGE 2 OR ENTER CUSTOM SIZE BELOW:**

\_\_\_ " Width x \_\_\_ " Height. Rough opening = order size  
 Frame size is 1/4" less than ordering size.

**STEP 2: SELECT WALL OR CEILING INSTALLATION**

\_\_\_ Wall (Model FD2W) \_\_\_ Ceiling (Model FD2C)

**STEP 3: SELECT FINISH**

\_\_\_ Galvanealed steel with off-white primer \_\_\_ 304 Stainless steel with #4 finish on exterior

**STEP 4: SELECT OPTIONAL FEATURES AT ADDITIONAL COST**

**Single Latch- Select One Option:**

\_\_\_ Raised knurled knob (KK) \_\_\_ 1-1/8" mortise prep complete w/mortise cylinder (MPI) \_\_\_ 1-1/8" mortise prep only (MP)

**Dual Latches - Select One Option:**

- \_\_\_ 1-1/8" mortise prep complete with mortise cylinder (MPI) \_\_\_ Top or \_\_\_ Bottom second latch will be Allen key (A)
- \_\_\_ 1-1/8" mortise prep only (MP) \_\_\_ Top or \_\_\_ Bottom Second Latch will be Allen Key (A)
- \_\_\_ (2) 1-1/8" mortise preps only (MP) top and bottom
- \_\_\_ (2) 1-1/8" mortise preps complete with (2) mortise cylinders (MPI) top and bottom

**Other Options:**

- \_\_\_ (PH) Continuous piano hinge for under 48" panel
- \_\_\_ (A) Masonry straps
- \_\_\_ (K) Smoke gasket - listed by Intertek Warnock Hersey. See Testing Standards in red box.



**Intertek Warnock Hersey Listed and Labeled:**  
 2 Hour Fire Rating for vertical and horizontal installation  
 Temp Rise Max: 139°C / 250° F at 30 minutes, 250° C / 450° F at 60 minutes.

**Testing Standards:**

**Vertical:** NFPA 252, UL 10B, CAN/ULC S10 4  
**Horizontal:** UBC 43-7

**Optional Smoke Gasket Testing Standards:**

UL 1784 per NFPA 105, ASTM E152, CAN4 S106, UBC 7-2, UL 10 (b) NFPA 252 (90- minute)

**LATCH AND LOCK OPTIONS**

Standard 1/4" Allen Key (A)	Optional Knurled Knob (KK)	Optional Mortise Lock (MPI)

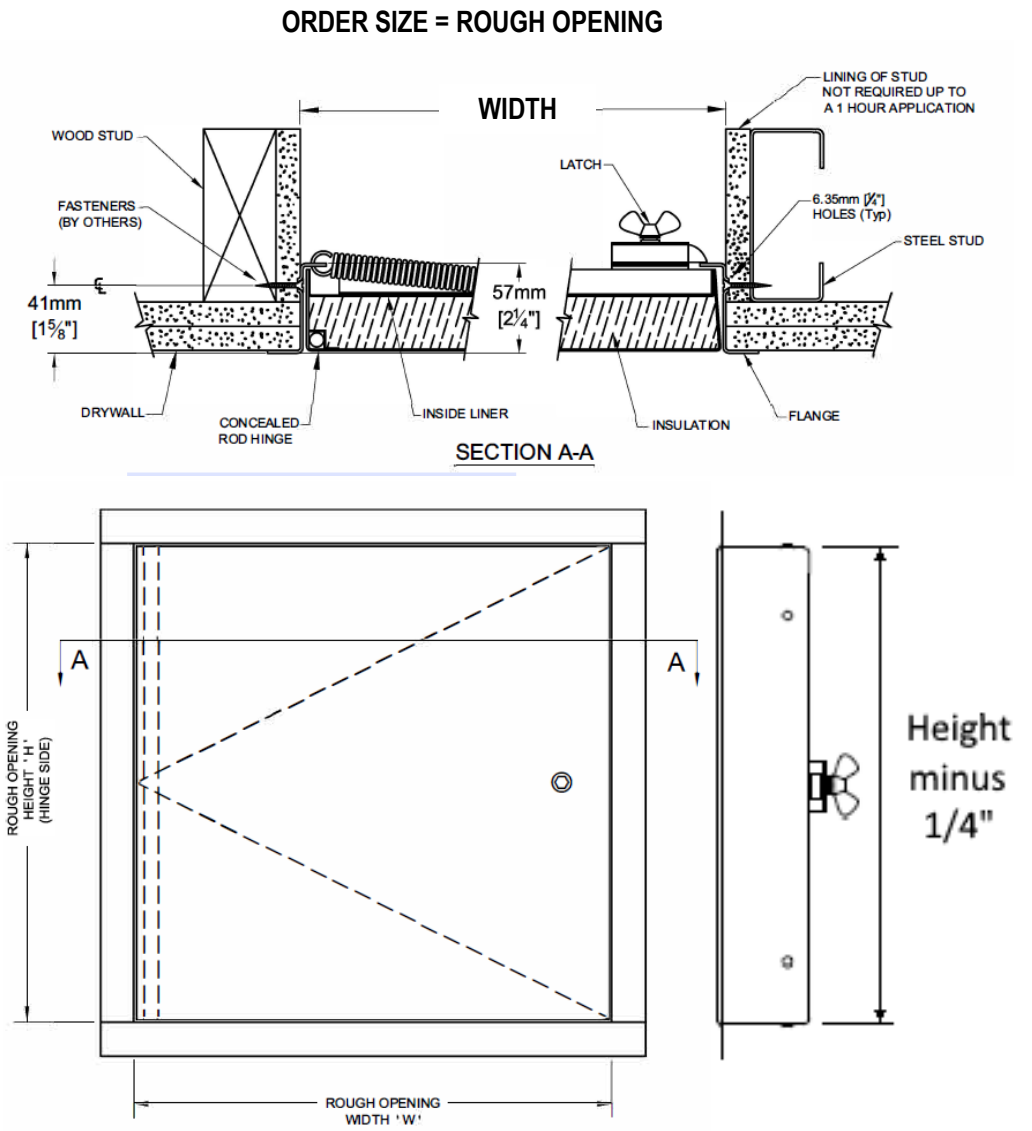
<p><b>JL INDUSTRIES</b></p> <p>9702 Newton Av S. Bloomington, MN 55431</p>	<p>☎ 800-554-6077</p> <p>✉ sales@activarcpg.com</p> <p>🌐 www.activarcpg.com</p>	Distributor:	Project:
		Contractor:	Approved By:
	Date:	Quantity:	Architect:
	Scale: N/A	Pages: 1 of 2	Item #

# SUBMITTAL: FD2 SERIES 2 HR FIRE-RATED ACCESS PANEL

Rough Opening is Order Size Width x Height - Hinge Side is "H"						Door Size Inches	No. of Latches/ Locks	Wt. in Kgs	Wt. in lbs.
Qty	Wall Model	Qty	Ceiling Model	Inches W x H	Metric (mm) W x H				
	FD2W-1212		FD2C-1212	12 x 12	305 x 305	11-5/8 x 11-5/8	1	5	11
	FD2W-1216		FD2C-1216	12 x 16	305 x 406	11-5/8 x 15-5/8	1	6	14
	FD2W-1218		FD2C-1218	12 x 18	305 x 457	11-5/8 x 17-5/8	1	7	15
	FD2W-1224		FD2C-1224	12 x 24	305 x 610	11-5/8 x 23-5/8	1	9	19
	FD2W-1414		FD2C-1414	14 x 14	356 x 356	13-5/8 x 13-5/8	1	6	14
	FD2W-1616		FD2C-1616	16 x 16	406 x 406	15-5/8 x 15-5/8	1	8	17
	FD2W-1624		FD2C-1624	16 x 24	406 x 610	15-5/8 x 23-5/8	1	10	23
	FD2W-1818		FD2C-1818	18 x 18	457 x 457	17-5/8 x 17-5/8	1	9	20
	FD2W-1824		FD2C-1824	18 x 24	457 x 610	17-5/8 x 23-5/8	1	11	25
	FD2W-1830		FD2C-1830	18 x 30	457 x 762	17-5/8 x 29-5/8	1	13	29
	FD2W-1836		FD2C-1836	18 x 36	457 x 914	17-5/8 x 35-5/8	1	16	35
	FD2W-1848		FD2C-1848	18 x 48	457 x 1219	17-5/8 x 47-5/8	1	20	45
	FD2W-2020		FD2C-2020	20 x 20	508 x 508	19-5/8 x 19-5/8	1	10	23
	FD2W-2024		FD2C-2024	20 x 24	508 x 610	19-5/8 x 23-5/8	1	12	26
	FD2W-2030		FD2C-2030	20 x 30	508 x 762	19-5/8 x 29-5/8	1	15	32
	FD2W-2036		FD2C-2036	20 x 36	508 x 914	19-5/8 x 35-5/8	1	17	38
	FD2W-2222		FD2C-2222	22 x 22	559 x 559	21-5/8 x 21-5/8	1	12	27
	FD2W-2230		FD2C-2230	22 x 30	559 x 762	21-5/8 x 29-5/8	1	15	34
	FD2W-2236		FD2C-2236	22 x 36	559 x 914	21-5/8 x 35-5/8	1	19	41
	FD2W-2424		FD2C-2424	24 x 24	610 x 610	23-5/8 x 23-5/8	1	14	30
	FD2W-2430		FD2C-2430	24 x 30	610 x 762	23-5/8 x 29-5/8	1	16	36
	FD2W-2436		FD2C-2436	24 x 36	610 x 914	23-5/8 x 35-5/8	1	20	43
	FD2W-2448		FD2C-2448	24 x 48	610 x 1219	23-5/8 x 47-5/8	2	25	55
	FD2W-3030		FD2C-3030	30 x 30	762 x 762	29-5/8 x 29-5/8	1	20	43
	FD2W-3036		FD2C-3036	30 x 36	762 x 914	29-5/8 x 35-5/8	2	23	51
	FD2W-3048		FD2C-3048	30 x 48	762 x 1219	29-5/8 x 47-5/8	2	30	66
	FD2W-3232		FD2C-3232	32 x 32	813 x 813	31-5/8 x 31-5/8	2	22	49
	FD2W-3636		FD2C-3636	36 x 36	914 x 914	35-5/8 x 35-5/8	2	27	60
WALL SIZES ONLY BELOW—1/4" TRIM WIDTH									
	FD2W-3648			36 x 48	914 x 1219	35-5/8 x 47-5/8	2	35	77
	FD2W-3660			36 x 60	914 x 1524	35-5/8 x 59-5/8	2	44	97
	FD2W-4040			40 x 40	1016 x 1016	39-5/8 x 39-5/8	2	33	72
	FD2W-4048			40 x 48	1016 x 1219	39-5/8 x 47-5/8	2	38	84
	FD2W-4060			40 x 60	1016 x 1524	39-5/8 x 59-5/8	2	48	105
	FD2W-4848			48 x 48	1219 x 1219	47-5/8 x 47-5/8	2	44	98
	FD2W-4860			48 x 60	1219 x 1524	47-5/8 x 59-5/8	2	55	122

Other sizes available upon request.

Second dimension in red is the hinge side



ALSO AVAILABLE IN DOUBLE LEAF MODELS—FD2D  
SEE SEPARATE SUBMITTAL

It is the responsibility of the customer to communicate specifications and product performance requirements that are needed for their application. This document is intended to convey potential product configurations and offerings. It is not to be used to imply or represent a specification or rating, of finished products shipped. Detailed, specific submittals can be created upon request. It is the responsibility of the customer to specify product accordingly to comply with local laws, codes, and ordinances.