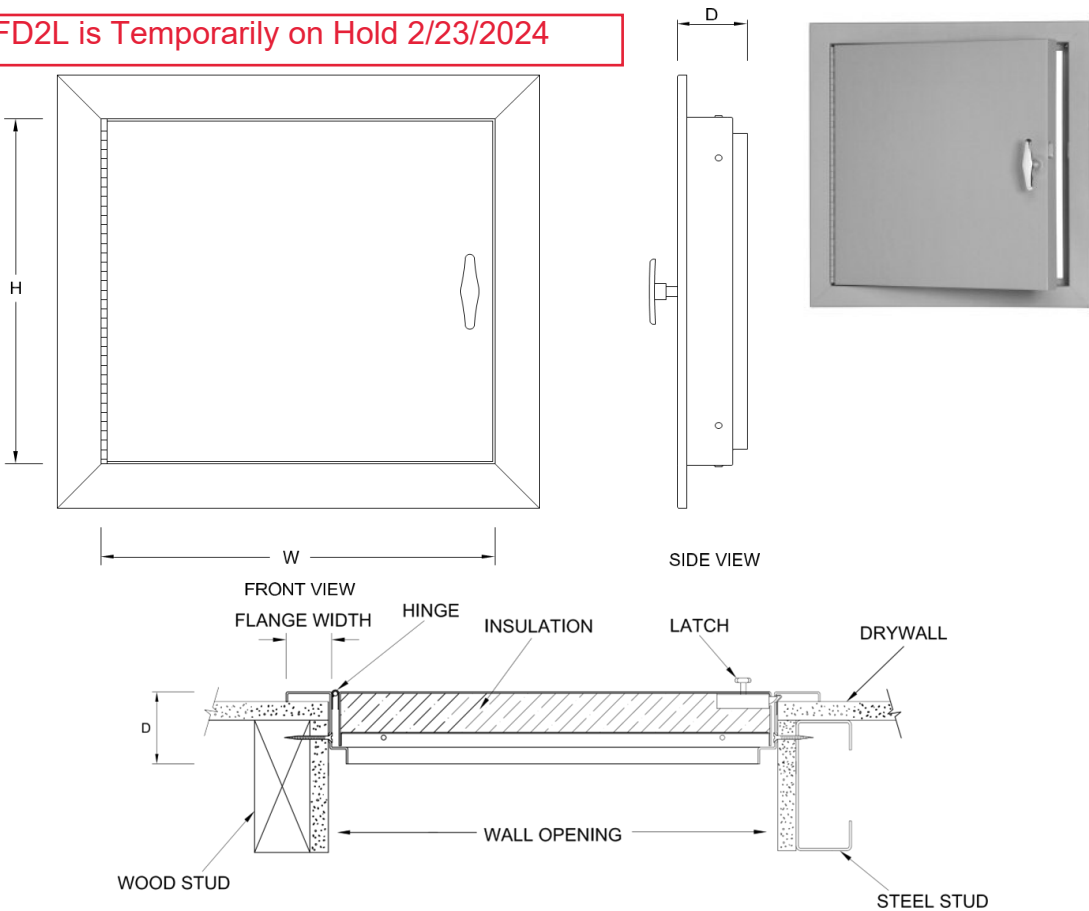


# SUBMITTAL: FD2L™ SERIES 2 HR FIRE-RATED LAUNDRY/GARBAGE DOOR FOR WALLS

The Maxam specialty two hour fire-rated door for laundry or garbage chute access

FD2L is Temporarily on Hold 2/23/2024



**MADE-TO-ORDER FD2L**

<input type="checkbox"/> QTY	<input type="checkbox"/> MODEL	<input type="checkbox"/> MATERIAL	<input type="text" value=""/> WIDTH	<input type="text" value=""/> HEIGHT	<input type="checkbox"/> LATCHES	<input type="checkbox"/> OPTIONS
<input type="checkbox"/>	FD2L	<input type="checkbox"/> Galvanneal Steel <input type="checkbox"/> SS Stainless Steel			<input type="checkbox"/> N Non-Locking T Handle (Std) <input type="checkbox"/> MP Mortise Prep for 1-1/8" Cylinder <input type="checkbox"/> MPI Mortise Lock Installed (1-1/8")	<input type="checkbox"/> K Listed Smoke Gasket

## SPECIFICATIONS

- Materials:** Satin finish galvanneal steel or 304 stainless steel.
- Frame:** 16 ga (1.61mm) steel with mounting holes. Depth "D"= 2-3/4" (70mm).
- Flange:** Width 1-3/4" (45mm) with a 3/8" (9.52mm) return.
- Door Panel:** 18 ga (1.31mm) with 22 ga (0.85mm) liner.
- Insulation:** The door panel contains 1-1/2" (38mm) of high temperature insulation material.
- Finishes:** Rust-inhibitive off-white prime coat or # 4 polished stainless steel finish on exterior surface.
- Hinges:** The continuous stainless steel piano hinge is designed to secure the door panel and open to 180°. The hinge is placed on the long side of the door ("H" dimension) needs to be in a vertical orientation, not horizontal.
- Panel Closer:** Listed concealed door closure that self-closes and latches the door as required by NFPA 80.
- Latch:** The standard factory installed latch is a non-locking (N) chrome "T" handle. Interior latch release optional.
- Sizes:** Minimum size is 16" x 16", Maximum size 30" x 30".
- Fire-Rating:** Intertek Warnock Hersey Listed and Labeled 2 Hour Fire Rating for vertical installation only  
Temp Rise Max: 139°C / 250° F at 30 Min 250° C / 450° F at 60 Min
- Testing Standard:** Vertical: NFPA 252, UL 10B, CAN/ULC S104
- Optional Smoke Gasket Testing Standards:** UL 1784 per NFPA 105, ASTM E152, CAN4 S106, UBC 7-2, UL 10 (b) NFPA 252 (90- minute)
- Clear Opening:** Width minus 1-1/4", Height minus 1-1/4".

QTY	Model with Galvanneal T-Handle	Rough Opening = Order Size W x H, H = Hinge Side		Weight Kgs	Weight lbs.
		Inches	Metric(mm)		
	FD2L-1616-N	16 x 16	406 x 406	7.71	17
	FD2L-1818-N	18 x 18	457 x 457	9.07	23
	FD2L-1824-N	18 x 24	457 x 610	11.34	25
	FD2L-2230-N	22 x 30	559 x 762	16.1	37
	FD2L-2424-N	24 x 24	610 x 610	13.6	30
	FD2L-2430-N	24 x 30	610 x 762	17	39
	FD2L-3030-N	30 x 30	762 x 762	19.5	43

It is the responsibility of the customer to communicate specifications and product performance requirements that are needed for their application. This document is intended to convey potential product configurations and offerings. It is not to be used to imply or represent a specification or rating, of finished products shipped. Detailed, specific submittals can be created upon request. It is the responsibility of the customer to specify product accordingly to comply with local laws, codes, and ordinances.

<b>JL INDUSTRIES</b>  9702 Newton Av S. Bloomington, MN 55431	800-554-6077 sales@activarcpg.com www.activarcpg.com	Distributor: Contractor: Date: Scale: N/A	Project: Approved By: Architect: Item #	
			Quantity:	
			Pages: 1 of 1	