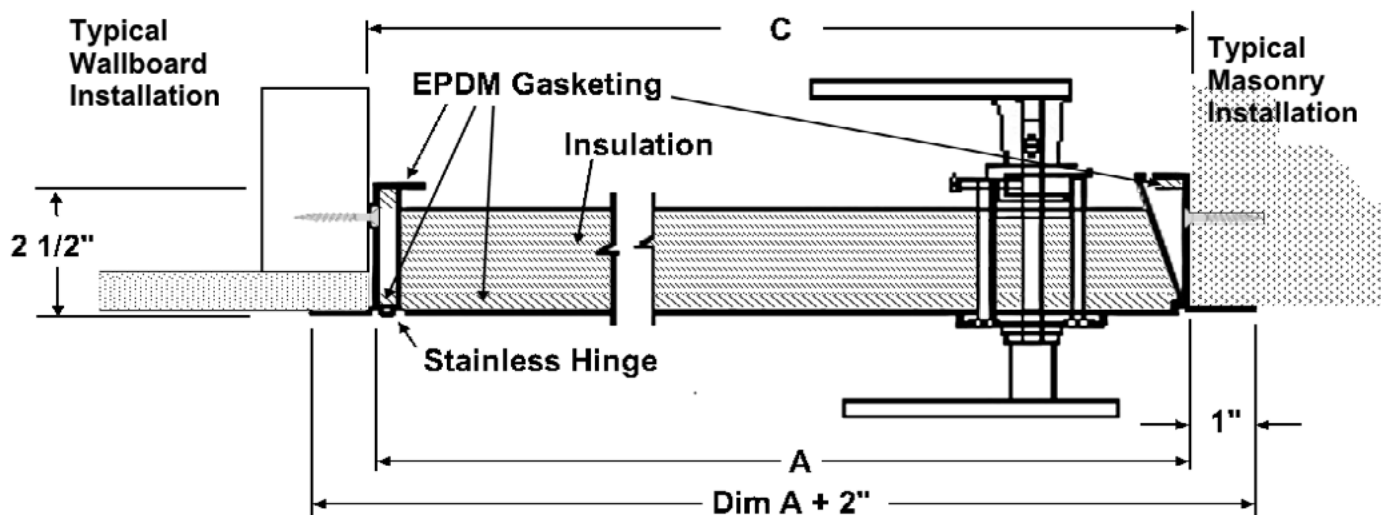


Installation & Maintenance Guide

**INSTALLATION:  
XP/XPE - WALLBOARD**

1. With metal or wood studding, install a framed opening at specified location. Opening dimensions should be 3/8" larger than the frame I.D. of the panel; i.e., for a 12" x 12" panel, opening should be 12-3/8" x 12-3/8".  
WALL OPENING (C) = ORDER SIZE (A) + 3/8"
2. Frame all four sides of the access panel. On panels larger than 16" x 16", install a double stud on both sides in the same manner as at passage panels.
3. Place panel in position in opening and mark location of attachment on studding using holes in all four sides of panel frame as marking guide.
4. Remove panel and drill 5/32" holes through studs at marked points. Four attachment holes for panels 32" x 32" and smaller; six attachment holes for larger panels.
5. Place panel in position and attach with #10 sheet metal or machine screws.
6. Check panel for freedom of movement. If it binds, shim as necessary to remove any racking of frame at attachment to studding.
7. Use proper sealant around the screws and behind the flange to provide adequate closure between wall and panel.



**MASONRY**

1. Opening should be planned to dimensions 3/8" larger than door size of panel; i.e., for a 12" x 12" panel, opening should be 12-3/8" x 12-3/8". WALL OPENING (C) = ORDER SIZE (A) + 3/8"
2. Position the panel in the wall opening provided for it and mark location of attachments on wall using holes in latch and hinge sides of panel frame as marking guides.
3. Remove panel and install expansion shields in wall at marked points. Install four for panels 32" x 32" or smaller, six for larger panels.
4. Place panel in position and attach with #10-32 x 1" long flat head steel machine screws or equivalent.
5. Check panel for freedom of movement. If it binds, shim as necessary to remove any racking of frame at attachments to masonry.
6. Use mortar between frame of panel and block wall to provide a complete closure around frame of panel. Use adequate sealant around the screws.



800-554-6077  
 sales@activarcpg.com  
 www.activarcpg.com

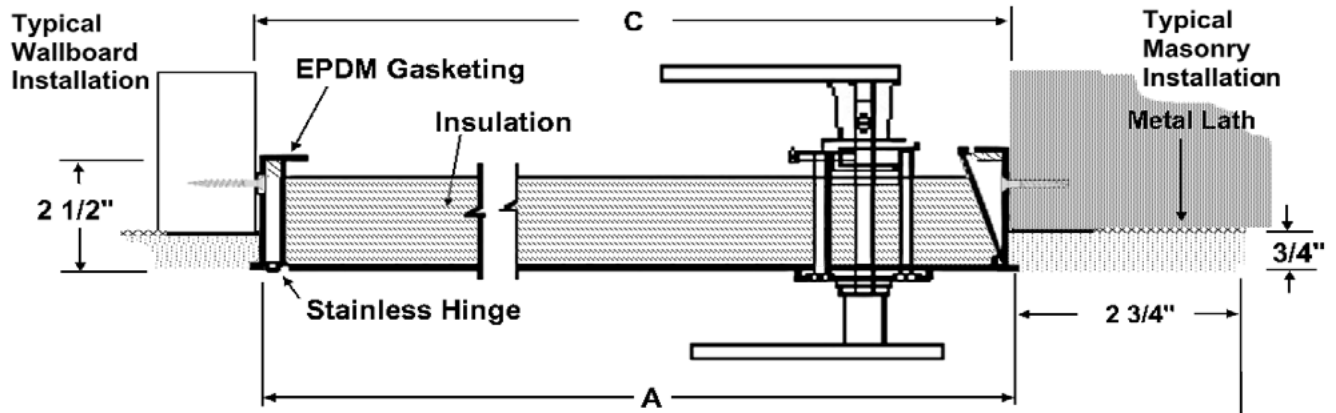
**INSTALLATION INSTRUCTIONS:  
XP and XPE**

**Installation & Maintenance Guide**

**INSTALLATION:**

**XPEA and XPES - PLASTER AND STUCCO - 3/4" RECESSED TRIM FLANGE WITH METAL LATH**

1. With metal or wood studding, install a framed opening at specified location. Opening dimensions should be 3/8" larger than the frame I.D. of the panel; i.e., for a 12" x 12" panel, opening should be 12-3/8" x 12-3/8". WALL OPENING (C) = ORDER SIZE (A) + 3/8"
2. Frame all four sides of the access panel. On panels larger than 16" x 16", install a double stud on both sides in the same manner as at passage panels. Panel lath trim is recessed 3/4" for plaster and stucco.
3. Place panel in position in opening and mark location of attachment on studding using holes in all four sides of panel frame as marking guide.
4. Remove panel and drill 5/32" holes through studs at marked points. Four attachment holes for panels 32" x 32" and smaller; six attachment holes for larger panels.
5. Place panel in position and attach with #10 sheet metal or machine screws.
6. Check panel for freedom of movement. If it binds, shim as necessary to remove any racking of frame at attachment to studding.
7. Use proper sealant around the screws and behind the flange to provide adequate closure between wall and panel.
8. Apply layers of plaster over metal lath and flange. After smoothing plaster, only a slit around the 3 door edges and painted hinge will show.



800-554-6077  
 sales@activarcpg.com  
 www.activarcpg.com

**INSTALLATION INSTRUCTIONS:  
 XP AND XPE**

## Installation & Maintenance Guide

### OPERATION:

**Caution: Make sure to consider weather conditions prior to using the access panel. Use caution at all times, especially when access panel is open.**

Opening with L handle: If the handle does not have a lock on it, you can turn the handle from the exterior and open the door. You can also open it from the interior. If the handle is locked, use provided key to unlock from the exterior. To open from the exterior, rotate the L handle and open door. If L handle is locked outside, then there is no inside release. If unlocked, then the door can be opened from the inside by rotating a lever.

Opening with removable L handle: If the handle is locked, use provided key to unlock from the exterior. To open from the exterior, rotate the L handle and open door. If L handle is locked outside, then there is no inside release. If unlocked, then the door can be opened from the inside by rotating a lever.

### MAINTENANCE:

- Our Access Panels are designed to be maintenance free. However, it is recommended that the outer surface of the panel, and the hinge area, be kept clear from debris and dirt, to ensure correct operation of the hinged door.
- If latches, locks or hinges need to be lubricated, use a "3 in 1" type light oil, removing excess with a cloth.
- To clean painted surfaces, use a soft cloth and mild soap and water.
- To clean stainless steel, use a soft cloth and mild soap and water solution. After cleaning, thoroughly rinse with clear water to remove all traces of the solution and wipe dry to prevent water marks from forming. Stains which resist that treatment can usually be removed by polishing in the direction of the grain with a soft cloth and a non-abrasive stainless steel polish. Test in an unobtrusive location.



JL INDUSTRIES

800-554-6077  
sales@activarcpg.com  
www.activarcpg.com

**INSTALLATION INSTRUCTIONS:  
XP AND XPE**