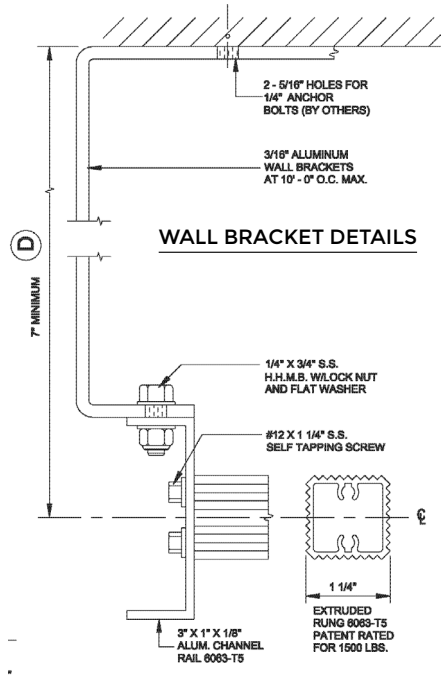
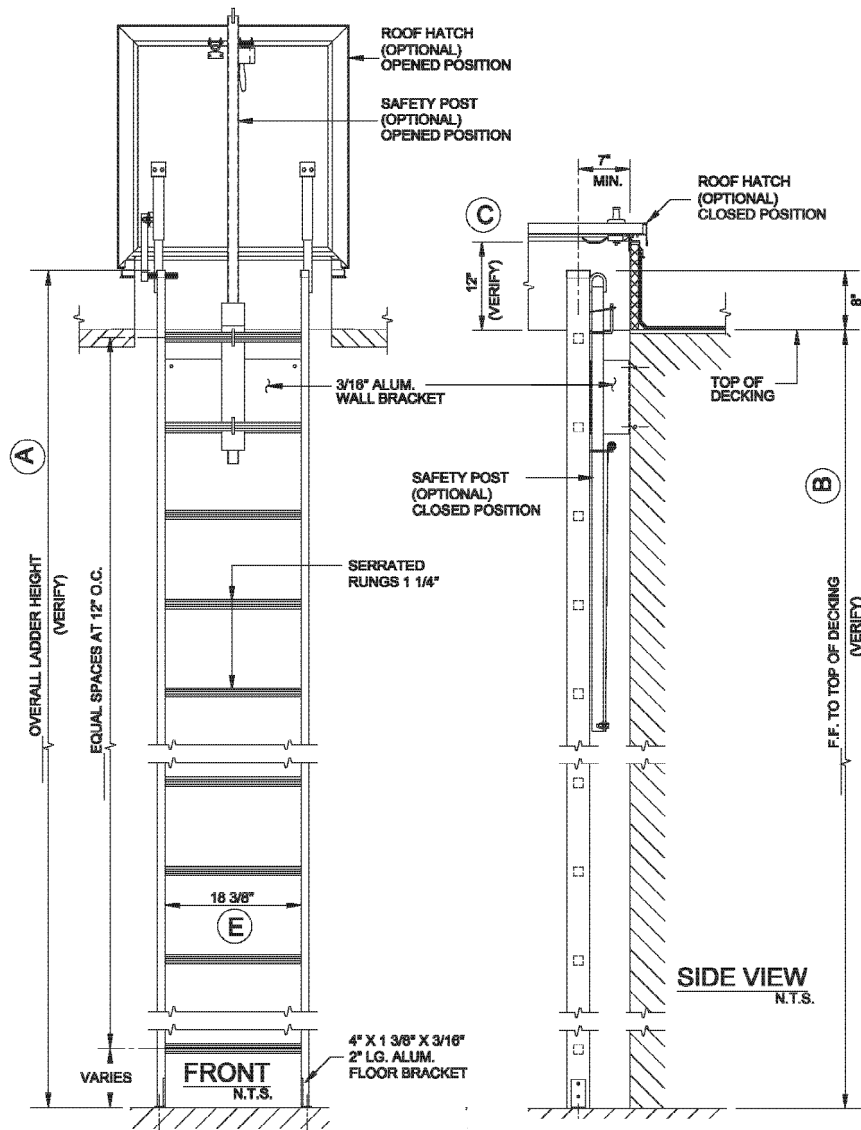


# ALUMINUM ACCESS LADDER



The mounting brackets must not be spaced more than 10ft apart. The top mounting bracket must not be located more than 2ft from the top of the ladder.

## SPECIFICATIONS:

**Rail Material:** 3" x 1" x 1/8" aluminum 6063-T5 channel extrusion.

**Rung Material:** 1 1/4" x 1 1/4" square serrated extruded aluminum 6061-T6 screwed to rail and rated to withstand 1500 pound load.

**Finish:** Mill Finish.

**Brackets:** 3/16" aluminum, wall and floor brackets included with ladders under 12 feet. Ladders 12ft - 20ft get additional wall bracket for intermediate mounting.

**Hardware:** Stainless steel fasteners, nuts and washers included.

STANDARD ORDER INFORMATION		
QTY	HEIGHT	MODEL
	8'	AL-08
	10'	AL-10
	12'	AL-12
	14'	AL-14
	16'	AL-16

Other sizes available, based on verified dimensions.

CUSTOM ORDER INFORMATION	
A	Overall Ladder Height (Ft-In)
B	FF to Top of Decking (Std A-8")
C	Roof Hatch Curb Height (Std 12")
D	Wall to CL of Rung (Std 7")
E	Ladder Width (Std 18 3/8")

## OPTIONS:

**Powder Coat Finish:** \_\_\_\_\_

**Clear Anodized Finish:** \_\_\_\_\_

**Alternate Bottom Support Bracket (AL-ABS)** \_\_\_\_\_

**Approval Signature is required.**



800-554-6077  
 sales@activarcpg.com  
 www.activarcpg.com

9702 Newton Ave S. Bloomington, MN 55431 | Many Locations Nationwide

Distributor:

Project:

Contractor:

Approved By:

Date:

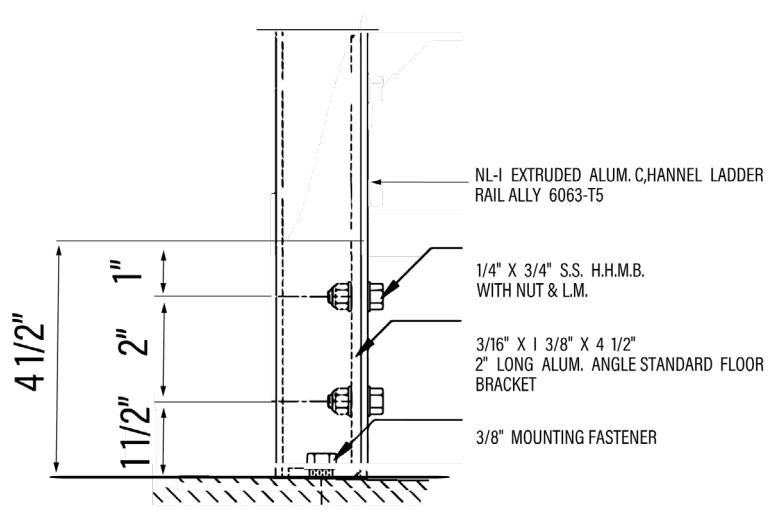
Architect:

Scale: N/A

Pages: 1 of 2

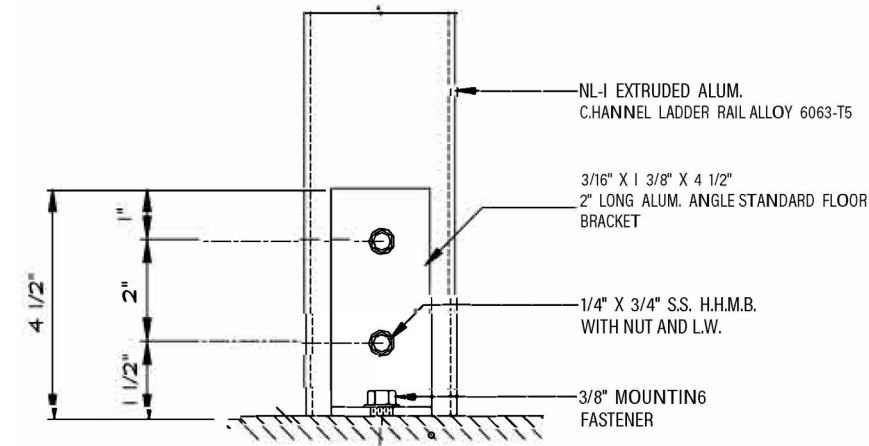
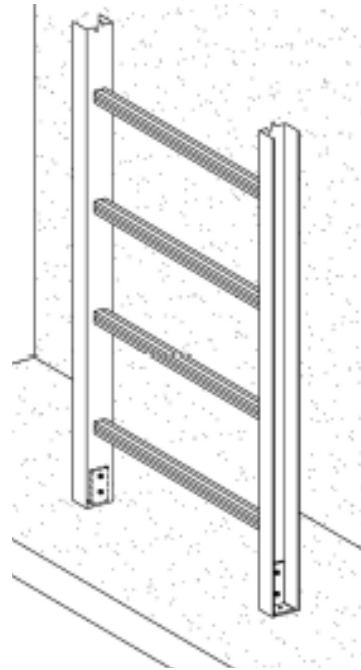
Item #:

# ALUMINUM ACCESS LADDER



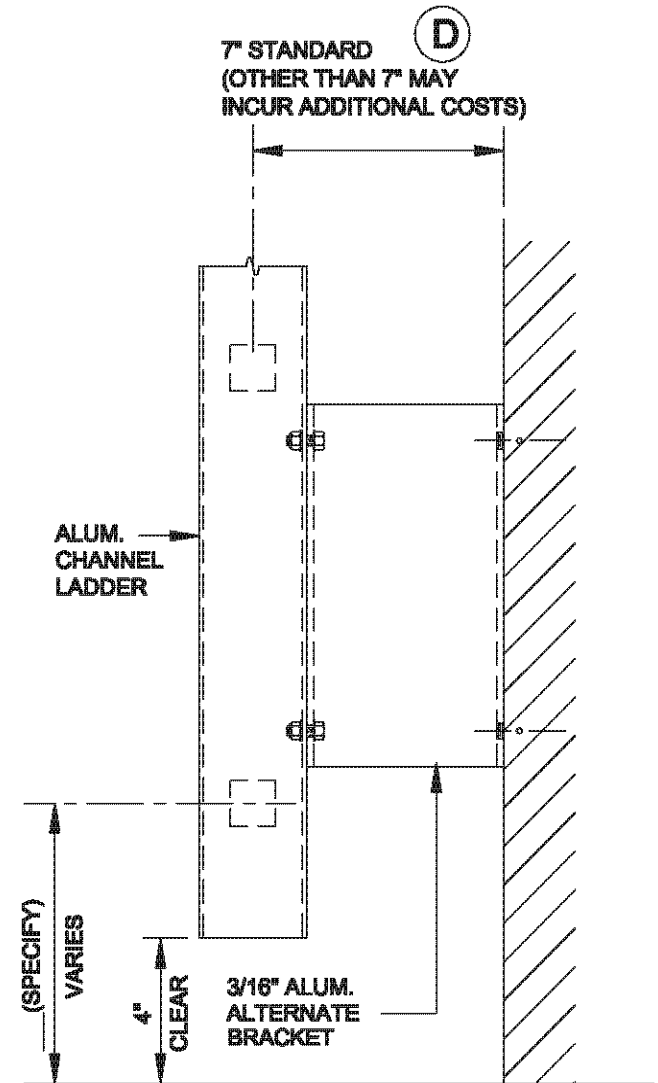
FLOOR BRACKET FRONT VIEW

3"=1'-0"



FLOOR BRACKET SIDE VIEW

3"=1'-0"



ALTERNATE OFF FLOOR SUPPORT

1 1/2" = 1' - 0"



800-554-6077  
 sales@activarcpg.com  
 www.activarcpg.com

9702 Newton Ave S. Bloomington, MN 55431 | Many Locations Nationwide

Distributor:		Project:
Contractor:		Approved By:
Date:		Architect:
Scale: N/A	Pages: 2 of 2	Item #: