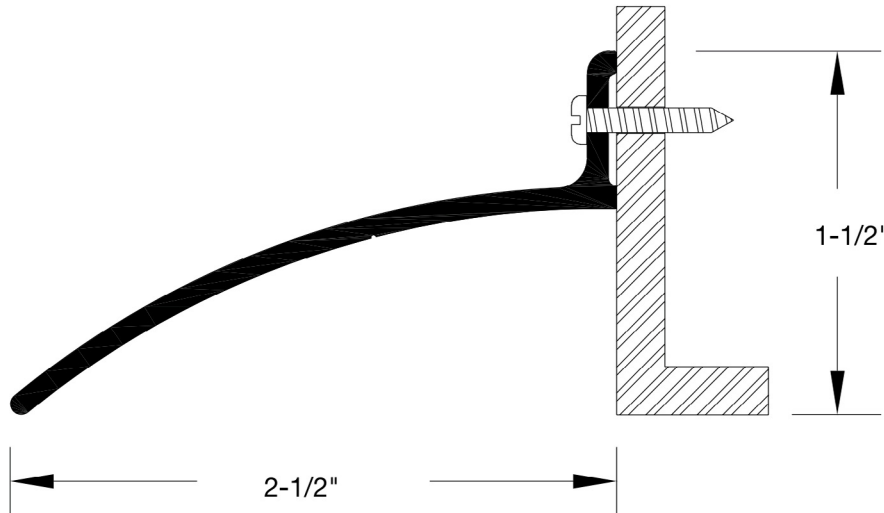


## DOOR TOP - RAIN DRIP - WT-R201

Rain Drips are an aluminum weatherstrip that deflects water from the gaps at the top of doors, preventing seepage.



### SPECIFICATIONS:

**Material:** 6063-T5 Aluminum

**Standard Finish:** Mill

**Fasteners:** Zinc-plated steel #6 x 5/8" Philips pan head self-tapping sheet metal screws, use 7/64" drill bit (6" hole spacing)

### Sizes:

**Minimum:** 6"

**Maximum:** 163"

Order size listed is exact cut size

### TESTING:

**Fire Rated:** UL Classified per UL10B, CAN/ULC-S104, UL10C for use on listed steel frames and/or classified hollow metal and steel covered composite type fire doors rated 3 hours, wood composite to 1-1/2 hours, wood core type rated 20 min without hose stream.

### OPTIONS:

**Material Finishes:** Black anodized aluminum, clear anodized aluminum, dark bronze anodized aluminum

**Fasteners:** #6 TEK screws (self-drilling, self-tapping)

*Interpretation of fire and building codes may vary. Consult with the local authority having jurisdiction (AHJ) to determine appropriate standards.*


### MADE-TO-ORDER DOOR TOP - RAIN DRIP EXAMPLE: WT-R201A-40

QTY	MODEL	SERIES	MATERIAL	SIZES	OPTIONS																
	WT-R201	Rain Drip	<table border="1"> <tr> <td><b>A</b></td> <td>Mill aluminum - Std.</td> </tr> <tr> <td><b>BLK</b></td> <td>Black anodized aluminum</td> </tr> <tr> <td><b>C</b></td> <td>Clear anodized aluminum</td> </tr> <tr> <td><b>D</b></td> <td>Dark bronze anodized aluminum</td> </tr> </table>	<b>A</b>	Mill aluminum - Std.	<b>BLK</b>	Black anodized aluminum	<b>C</b>	Clear anodized aluminum	<b>D</b>	Dark bronze anodized aluminum	<table border="1"> <tr> <td><b>40</b></td> <td>40" for 36" width</td> </tr> <tr> <td><b>52</b></td> <td>52" for 48" width</td> </tr> <tr> <td><b>76</b></td> <td>76" for 72" width</td> </tr> </table>	<b>40</b>	40" for 36" width	<b>52</b>	52" for 48" width	<b>76</b>	76" for 72" width	<table border="1"> <tr> <td>(None)</td> </tr> <tr> <td><b>TK</b>   TEK screws</td> </tr> </table>	(None)	<b>TK</b>   TEK screws
<b>A</b>	Mill aluminum - Std.																				
<b>BLK</b>	Black anodized aluminum																				
<b>C</b>	Clear anodized aluminum																				
<b>D</b>	Dark bronze anodized aluminum																				
<b>40</b>	40" for 36" width																				
<b>52</b>	52" for 48" width																				
<b>76</b>	76" for 72" width																				
(None)																					
<b>TK</b>   TEK screws																					

### COMMON MODELS

Qty	Model	Description
	<b>WT-R201-40</b>	Rain drip, 40" mill
	<b>OTHER</b>	Specify below:

It is the responsibility of the customer to communicate specifications and product performance requirements that are needed for their application. This document is intended to convey potential product configurations and offerings. It is not to be used to imply or represent a specification or rating of finished products shipped. Detailed, specific submittals can be created upon request. It is the responsibility of the customer to specify product accordingly to comply with local laws, codes, and ordinances.

 <p><b>AIR LOUVERS</b></p> <p>9702 Newton Ave S. Bloomington, MN 55431   Many Locations Nationwide</p>	<p>800-554-6077</p> <p>sales@activarcpg.com</p> <p>www.activarcpg.com</p>	<p><b>Distributor:</b></p>	<p><b>Project:</b></p>
		<p><b>Contractor:</b></p>	<p><b>Approved By:</b></p>
		<p><b>Date:</b></p>	<p><b>Architect:</b></p>
		<p><b>Scale: N/A</b></p>	<p><b>Pages: 1 of 1</b></p>